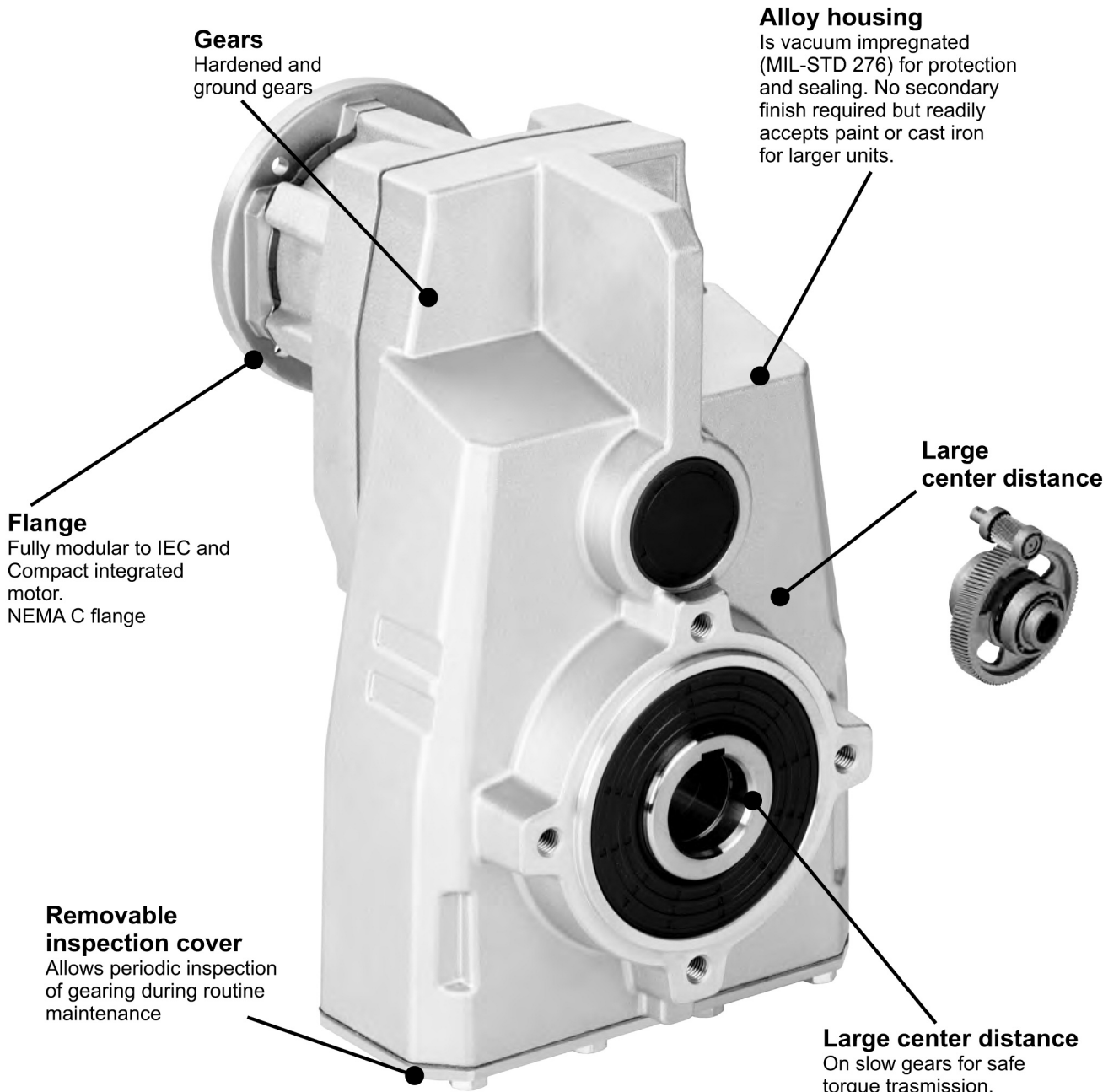


RF Series
Shaft Mounted Gear Units



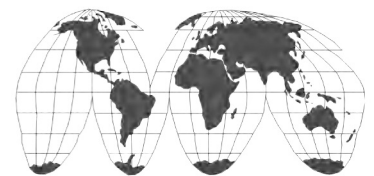
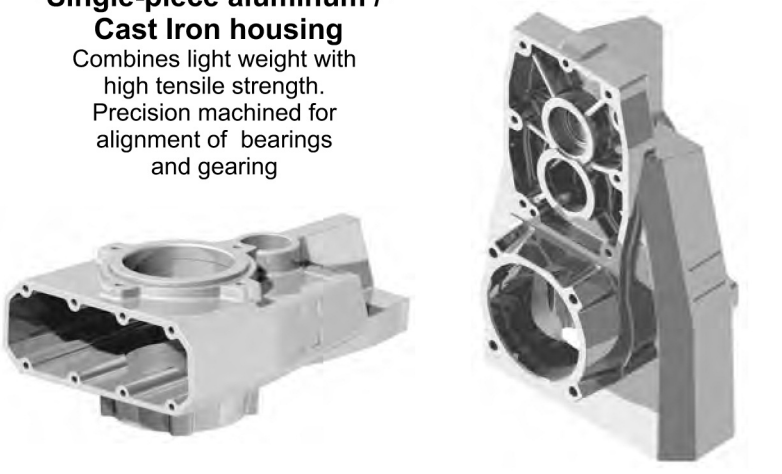
Aluminum & cast iron shaft mounted gearboxes

A modular and compact product



Single-piece aluminum / Cast Iron housing

Combines light weight with high tensile strength. Precision machined for alignment of bearings and gearing



World wide sales network.

IN THIS CATALOGUE

Compact-Gear



Aluminum shaft mounted gearboxes with one stage of reduction.

Riduttori pendolari in alluminio con uno stadio di riduzione.

See technical data table.
Vedi tabelle dati tecnici.

Paragraph **8**

Compact-Gear



Aluminum and cast iron shaft mounted gearboxes with two or three stages of reduction.

Riduttori pendolari in alluminio e ghisa con due e tre stadi di riduzione.

See technical data table.
Vedi tabelle dati tecnici.

Paragraph **8**

T series-Gear



Cast iron shaft mounted gearboxes with two stages of reduction.

Riduttori pendolari in ghisa con due stadi di riduzione.

See technical data table.
Vedi tabelle dati tecnici.

Paragraph **9**

Aluminum electric motors



Metric electric motors are in aluminum. On request they can be supplied with different Level of protection and painted with 2 or 3 level of anticorrosive paint.

I motori metrici sono in alluminio, su richiesta possono essere forniti con differenti livelli di protezione e verniciati con vernice anticorrosiva.

See technical data table.
Vedi tabelle dati tecnici.

Pag. **M-0 ÷ M-2**

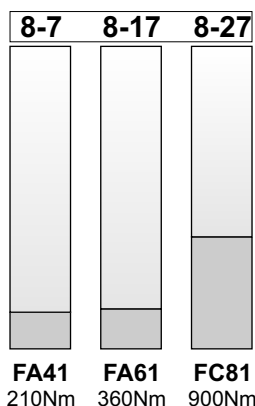
Specific type datasheet on page...

On page / A pagina / Auf Seite / En la página

1 Stage



Types / Tipi /
Arten / Tipos →

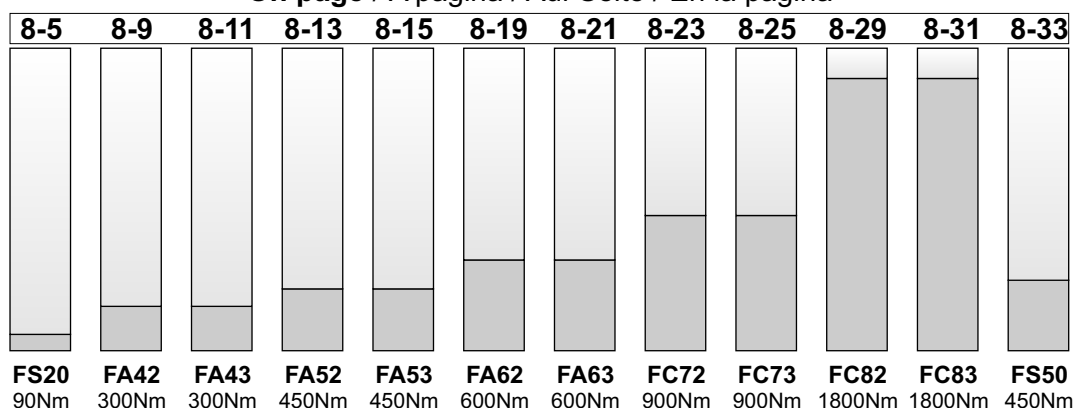


On page / A pagina / Auf Seite / En la página

2 and 3 Stage



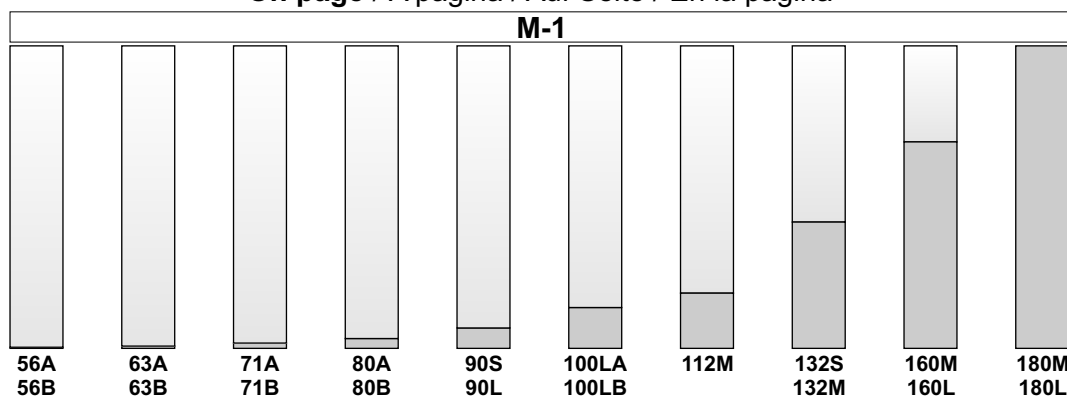
Types / Tipi /
Arten / Tipos →



On page / A pagina / Auf Seite / En la página



Types / Tipi /
Arten / Tipos →



• Get on our web for the selected type/size the detailed informations

For : / Per : / Für : / Para :

Selection guide - fs
Guida alla selezione

Reversibility
Reversibilità

Download 3D drawings
Download disegni 3D

Mounting pos. - Lubrication
Pos. di montaggio - lubrificazione

Thermal limit
Limite termico

Interchangeability
Intercambiabilità

2 - 6 poles selection
Selezione 2 - 6 poli

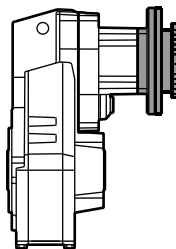
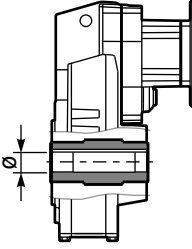
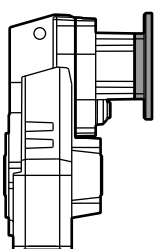
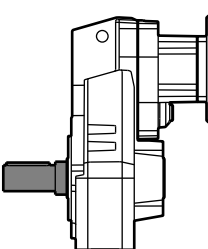
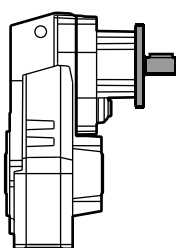
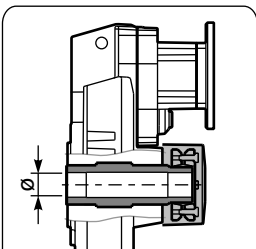
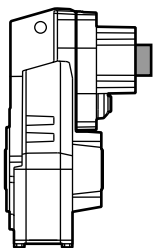
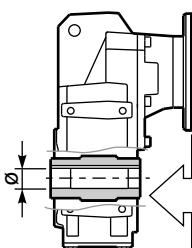
Atex certification
Certificazione Atex

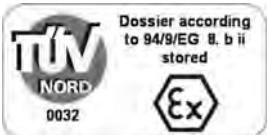
Installation and maintenance
Installazione, uso e manutenzione

Radial - axial loads
Carichi radiali e assiali

Accessories
Accessori

Spare parts list
Liste parti di ricambio

Type - Tipo - Typ - Tipo	Size - Grandezza Grösse - Tomaño	Mounting - Montaggio Montage - Tipo de montaje	Rapporto - Ratio Untersetzung - Relacion
M	FA42	C	10.04
<p>Shaft mounted helical Riduttori ad assi paralleli</p>  <p>With IEC motor</p> <p style="text-align: center;">M</p>	<p>1 Stage Riduzione Stufe Etapas</p> <p>2 Stages Riduzioni Stufen Etapas</p> <p>3 Stages Riduzioni Stufen Etapas</p>	 <p>Hollow output shaft</p> <p style="text-align: center;">C</p>	<p>See technical data table</p> <p>Vedi tabelle dati tecnici.</p> <p>Technisches Datenblatt beachten.</p> <p>Ver tabla datos técnicos</p>
 <p>With motor flange</p> <p style="text-align: center;">P</p>	<p style="text-align: center;">Aluminum/Alluminio/Aluminium/Aluminio</p> <p style="text-align: center;">FA41 FA61</p> <p style="text-align: center;">FS20</p>	 <p>Single output shaft</p> <p style="text-align: center;">A</p>	
 <p>With male input shaft</p> <p style="text-align: center;">R</p>	<p style="text-align: center;">Cast Iron/Ghisa/Grauguss/Fundicion</p> <p style="text-align: center;">FA42 FA52 FA62</p> <p style="text-align: center;">FA43 FA53 FA63</p> <p style="text-align: center;">FS50</p>	 <p>Shrink Disk</p> <p style="text-align: center;">D</p> <p>Only on request for Q.ty A richiesta per quantità</p>	
 <p>Modular base</p> <p style="text-align: center;">B</p>	<p style="text-align: center;">FC81</p> <p style="text-align: center;">FC72 FC82</p> <p style="text-align: center;">FC73 FC83</p>	 <p>Stainless steel hub</p> <p style="text-align: center;">I</p> <p>On request for q.ty Stainless steel hub Mozzo in acciaio Inox Edelstahlhohlwelle Nucleo corona de acero Inox</p>	

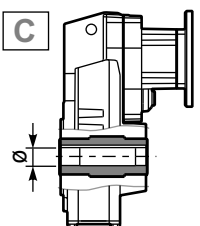
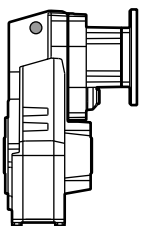
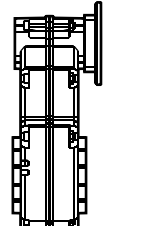
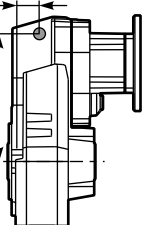
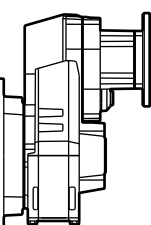
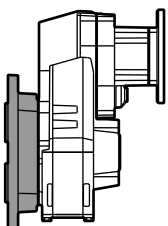
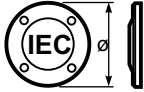




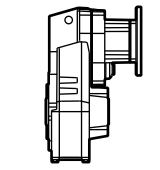
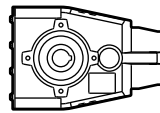
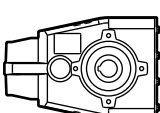
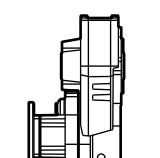
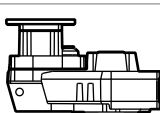
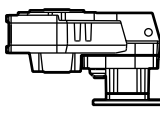


A richiesta possiamo fornire i nostri prodotti secondo le normative ATEX

On request we can deliver our products according to the ATEX

Auf Anfrage können wir unsere Produkte den Richtlinien ATEX entsprechend liefern

A pedido, se pueden enviar nuestros productos de acuerdo con las normas ATEX.

Output shaft Albero uscita Ausgangsflansch Brida en solida	Type - Tipo Typ - Tipo	Output flange Flangia di uscita Ausgangs Flansch Brida en salida	Motor size Grandezza motore Motor Grösse Tamaño motor	Terminal box position Posizione morsetteria Klemmkastenlage Posición caja de bornes	Mounting position Posizione montaggio Einbaulage Position de montage																																												
D	ST	N	C	B	H1																																												
 <p>C</p> <p>→ STANDARD Only on request for Q.ty A richiesta per quantità</p> <p>FS20</p> <p>B → $\varnothing 20$</p> <p>FA41 FA42 FA43 FS50</p> <p>D → $\varnothing 30$</p> <p>E → $\varnothing 35$</p> <p>FA52 FA53 FA61 FA62 FA63</p> <p>E → $\varnothing 35$</p> <p>F → $\varnothing 40$</p> <p>FC72 FC73</p> <p>F → $\varnothing 40$</p> <p>G → $\varnothing 45$</p> <p>FC81 FC82 FC83</p> <p>H → $\varnothing 50$</p> <p>I → $\varnothing 55$</p>	 <p>ST</p> <p>Foro standard Standard bore</p>  <p>ST</p> <p>only for FS20</p> <p>Senza braccio di reazione Without reaction arm</p>  <p>Available torque arms, see our web site.</p> <p>Bracci di reazione disponibili, vedi il nostro sito web.</p> <p>S..</p>  <p>-F</p> <p>Whit output flange con flangia uscita</p>	 <p>N Senza flangia Without flange</p> <p>FS20</p> <p>1 → $\varnothing 140$</p> <p>FA41 FA42 FA43</p> <p>2 → $\varnothing 160$</p> <p>3 → $\varnothing 200$</p> <p>4 → $\varnothing 250$</p> <p>FA52 FA53 FA61 FA62 FA63</p> <p>4 → $\varnothing 250$</p> <p>5 → $\varnothing 300$</p> <p>FC72 FC73</p> <p>4 → $\varnothing 250$</p> <p>5 → $\varnothing 300$</p> <p>6 → $\varnothing 350$</p> <p>FC81 FC82 FC83</p> <p>5 → $\varnothing 300$</p> <p>6 → $\varnothing 350$</p> <p>7 → $\varnothing 400$</p>	<p>Standard Flange Flangia Standard</p>  <table border="1"> <tr> <td style="text-align: center;">B5</td> <td style="text-align: center;">B14</td> </tr> <tr> <td>A=56 ($\varnothing 120$)</td> <td>O=56 ($\varnothing 80$)</td> </tr> <tr> <td>B=63 ($\varnothing 140$)</td> <td>P=63 ($\varnothing 90$)</td> </tr> <tr> <td>C=71 ($\varnothing 160$)</td> <td>Q=71 ($\varnothing 105$)</td> </tr> <tr> <td>D=80 ($\varnothing 200$)</td> <td>R=80 ($\varnothing 120$)</td> </tr> <tr> <td>E=90 ($\varnothing 200$)</td> <td>T=90 ($\varnothing 140$)</td> </tr> <tr> <td>F=100+112 ($\varnothing 250$)</td> <td>U=100+112 ($\varnothing 160$)</td> </tr> <tr> <td>G=132 ($\varnothing 300$)</td> <td>V=132 ($\varnothing 200$)</td> </tr> <tr> <td>H=160 ($\varnothing 350$)</td> <td></td> </tr> <tr> <td>I=180 ($\varnothing 350$)</td> <td></td> </tr> </table> <p>Type R / Tipo R</p> <table border="1"> <tr> <td>FA43 FS20 FS50</td> <td>FA42 FA53 FA63 FC73</td> </tr> <tr> <td>1 → $\varnothing 14$</td> <td>2 → $\varnothing 19$</td> </tr> <tr> <td>FA52 FA62 FC72 FC83</td> <td>FC82</td> </tr> <tr> <td>3 → $\varnothing 24$</td> <td>4 → $\varnothing 28$</td> </tr> </table> <p>Without flange / Senza flangia</p> <table border="1"> <tr> <td>FA43 FS20 FS50</td> <td>FA42 FA53 FA63 FC73</td> </tr> <tr> <td>Z → $\varnothing 9$ (56B5)</td> <td>1 → $\varnothing 14$ (71B5)</td> </tr> <tr> <td>0 → $\varnothing 11$ (63B5)</td> <td>2 → $\varnothing 19$ (80B5)</td> </tr> <tr> <td>1 → $\varnothing 14$ (71B5)</td> <td>3 → $\varnothing 24$ (90B5)</td> </tr> <tr> <td>FA52 FA62 FC72 FC83</td> <td>FC82</td> </tr> <tr> <td>2 → $\varnothing 19$ (80B5)</td> <td>5 → $\varnothing 38$ (132B5)</td> </tr> <tr> <td>3 → $\varnothing 24$ (90B5)</td> <td>6 → $\varnothing 42$ (160B5)</td> </tr> <tr> <td>4 → $\varnothing 28$ (100B5)</td> <td>7 → $\varnothing 48$ (180B5)</td> </tr> </table> <p>→ STANDARD</p>	B5	B14	A =56 ($\varnothing 120$)	O =56 ($\varnothing 80$)	B =63 ($\varnothing 140$)	P =63 ($\varnothing 90$)	C =71 ($\varnothing 160$)	Q =71 ($\varnothing 105$)	D =80 ($\varnothing 200$)	R =80 ($\varnothing 120$)	E =90 ($\varnothing 200$)	T =90 ($\varnothing 140$)	F =100+112 ($\varnothing 250$)	U =100+112 ($\varnothing 160$)	G =132 ($\varnothing 300$)	V =132 ($\varnothing 200$)	H =160 ($\varnothing 350$)		I =180 ($\varnothing 350$)		FA43 FS20 FS50	FA42 FA53 FA63 FC73	1 → $\varnothing 14$	2 → $\varnothing 19$	FA52 FA62 FC72 FC83	FC82	3 → $\varnothing 24$	4 → $\varnothing 28$	FA43 FS20 FS50	FA42 FA53 FA63 FC73	Z → $\varnothing 9$ (56B5)	1 → $\varnothing 14$ (71B5)	0 → $\varnothing 11$ (63B5)	2 → $\varnothing 19$ (80B5)	1 → $\varnothing 14$ (71B5)	3 → $\varnothing 24$ (90B5)	FA52 FA62 FC72 FC83	FC82	2 → $\varnothing 19$ (80B5)	5 → $\varnothing 38$ (132B5)	3 → $\varnothing 24$ (90B5)	6 → $\varnothing 42$ (160B5)	4 → $\varnothing 28$ (100B5)	7 → $\varnothing 48$ (180B5)	 <p>A</p>  <p>B STANDARD</p>  <p>C</p>  <p>D</p>	 <p>H1 STANDARD</p>  <p>H4</p>  <p>H3</p>  <p>H2</p>  <p>H5</p>  <p>H6</p> <p>Specify only for vertical positions</p> <p>Specificare solo per posizione verticale</p>
B5	B14																																																
A =56 ($\varnothing 120$)	O =56 ($\varnothing 80$)																																																
B =63 ($\varnothing 140$)	P =63 ($\varnothing 90$)																																																
C =71 ($\varnothing 160$)	Q =71 ($\varnothing 105$)																																																
D =80 ($\varnothing 200$)	R =80 ($\varnothing 120$)																																																
E =90 ($\varnothing 200$)	T =90 ($\varnothing 140$)																																																
F =100+112 ($\varnothing 250$)	U =100+112 ($\varnothing 160$)																																																
G =132 ($\varnothing 300$)	V =132 ($\varnothing 200$)																																																
H =160 ($\varnothing 350$)																																																	
I =180 ($\varnothing 350$)																																																	
FA43 FS20 FS50	FA42 FA53 FA63 FC73																																																
1 → $\varnothing 14$	2 → $\varnothing 19$																																																
FA52 FA62 FC72 FC83	FC82																																																
3 → $\varnothing 24$	4 → $\varnothing 28$																																																
FA43 FS20 FS50	FA42 FA53 FA63 FC73																																																
Z → $\varnothing 9$ (56B5)	1 → $\varnothing 14$ (71B5)																																																
0 → $\varnothing 11$ (63B5)	2 → $\varnothing 19$ (80B5)																																																
1 → $\varnothing 14$ (71B5)	3 → $\varnothing 24$ (90B5)																																																
FA52 FA62 FC72 FC83	FC82																																																
2 → $\varnothing 19$ (80B5)	5 → $\varnothing 38$ (132B5)																																																
3 → $\varnothing 24$ (90B5)	6 → $\varnothing 42$ (160B5)																																																
4 → $\varnothing 28$ (100B5)	7 → $\varnothing 48$ (180B5)																																																

POTENZA RICHIESTA / REQUIRED POWER / ERFORDERLICHE LEISTUNG / POTENCIA NECESARIA

Lifting / sollevamento / hubantriebe / elevación

$$P \text{ [KW]} = \frac{M \text{ [Kg]} \cdot g \text{ [9.81]} \cdot v \text{ [m / s]}}{1000}$$

Rotation / rotazione / drehung / rotation

$$P \text{ [KW]} = \frac{M \text{ [Nm]} \cdot n \text{ [rpm]}}{9550}$$

Linear movement / traslazione / linearbewegung / translacion

$$P \text{ [KW]} = \frac{F \text{ [N]} \cdot v \text{ [m / s]}}{1000}$$

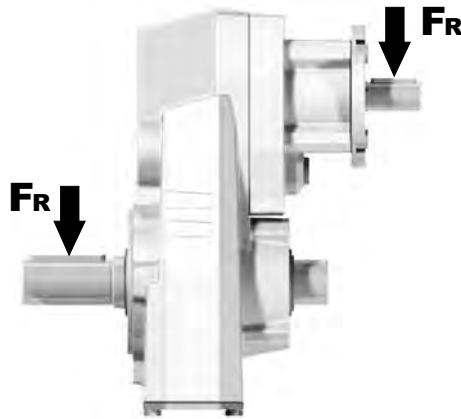
TORQUE / COPPIA / DREHMOMENT / PAR

$$M \text{ [Nm]} = \frac{9550 \cdot P \text{ [KW]}}{n \text{ [rpm]}}$$

$$M \text{ [lb in]} = \frac{63030 \cdot P \text{ [HP]}}{n \text{ [rpm]}}$$

RADIAL LOADS / CARICHI RADIALI / RADIALE / CARGA RADIAL

- Radial load generated by external transmissions keyed onto input and/or output shafts.
- Forza radiale generata da organi di trasmissione calettati sugli alberi di ingresso e/o uscita.
- Belastungen der Antriebs- bzw. Abtriebswellen durch von aussen eingebrachte Radiallasten.
- Cargas radiales, generada por transmisiones externas, aplicadas sobre los ejes de entrada y/o salida



	$F_R \text{ [N]} = \frac{M \text{ [Nm]} \cdot 2000}{d \text{ [mm]}} \cdot f_k$	$F_R \text{ [N]} = \frac{M \text{ [lb in]} \cdot 8.9}{d \text{ [in]}} \cdot f_k$
M	Momento torcente / Output torque / Abtriebsdrehmoment / Par torsion	
d	Diametro primitivo / Diam. of driving element / Durchmesser der Abtriebseinheit / Diámetro primitivo	
f_k	Coefficiente di trasformazione / Factor / Faktor / Coefficiente de transmisión 1.15 Ingranaggi / Gearwheels / Zahnrad / Engranaje 1.25 Catena / Chain sprockets / Antriebskette / Cadena 1.75 Cinghia Trapezoidale / Narrow v-belt pulley / Keilriemen / Correa trapezoidal 2.50 Cinghia piatta / Flat-belt pulley / Flachzahnriem. / Correa plana	

- If your application requires higher radial loads, contact our technical office. Higher load may be possible.
- Nel caso la vostra applicazione richieda carichi radiali superiori consultare il nostro ufficio tecnico, valori maggiori possono essere accettati.
- Wenn Ihre Anwendung höhere Radialbelastungen erfordert, so wenden Sie sich bitte an unser technischen Büro.
- En el caso en que una aplicación exija una carga radial superior a la especificada en el catálogo, consultar a nuestra oficinas técnica.

How to select a gearbox / Come selezionare un riduttore
Wie wählt man ein Getriebe / Cómo seleccionar un reductor

B Output speed
Velocità in uscita
Abtriebsdrehzahl
Velocidad de salida

Nominal power
Potenza nominale
Max. mögliche Leistung
Potencia nominal

A Nominal torque
Momento torcente nominale
Nenn Drehmoment
Par de torsión nominal

Flange code
Codice flangia
Flanschtype
Código bridas

Input speed
Velocità in entrata
Eintriebsdrehzahl
Velocidad de entrada

Gear size
Grandezza riduttore
Getriebegröße
Tamaño reductor

Motor power
Potenza motore
Motorleistung
Potencia motor

FA42

Compact- Gear
300Nm

Rating - Aluminum
SHAFT MOUNTED HELICAL

QUICK SELECTION / Selezione veloce										input speed (n_1) = 1400 min ⁻¹						
Output Speed n_2 [min ⁻¹]	Ratio i	Motor power P_{1M} [kW]	Output torque M_{2M} [Nm]	Service factor f.s.	Nominal power P_{1R} [kW]	Nominal torque M_{2R} [Nm]	Available B5 motor flanges				Available B14 motor flanges				Output Shaft 	Ratios code
							B	C	D	E	Q	R	T	U		
167	8.38	4	215	1.0	4.0	220	B				C	C			2821	-
139	10.04	3	194	1.1	3.4	220	B				C	C			2818	
114	12.33	3	238	1.0	3.0	240	B				C	C			2813	
92	15.16	2.2	216	1.1	2.4	240	B				C	C			1921	

C Ratio
Rapporto
Untersetzung
Relación

Transmitted torque
Momento torcente trasmesso
Mögliche Drehmomente
Par transmitido

Service factor
Fattore di servizio
Betriebsfaktor
Factor de servicio

Output shaft diam.
Diam. albero uscita
Durchmesser abtriebswelle
Diametro eje de salida

Notes
Note
Anmerkungen
Notas

Type of load and starts per hour Tipo di carico e avviamenti per ora		Oper. hours per day Ore di funz. giorn.		
		3 h	10 h	24 h
Continuous or intermittent appl. with start / hour Applicazione cont. o interm. con n.ro operazioni/ora	Uniform / Uniforme	0.8	1	1.25
	Moderate / Moderato	1	1.25	1.5
	Heavy / Forte	1.25	1.5	1.75
Intermittent application with start / hour Applicazione intermittente con n.ro operazioni/ora	Uniform / Uniforme	1	1.25	1.5
	Moderate / Moderato	1.25	1.5	1.75
	Heavy / Forte	1.5	1.75	2.15

D	Motor flange available Flange disponibili Erhältliche Motorflansche Bridas disponibles	
B)	Mounting with reduction ring Montaggio con boccia di riduzione Reduzierhülsen Montaje con casquillo de reducción	
C)	Motor flangeholes position/terminal box position Posizione fori flangia/basetta motore Bohrungsposition am Motorflansch/-sockel Posición agujeros brida / base motor	
B)	Available without reduction bushes Disponibile anche senza boccia Auch ohne Reduzierbuchse verfügbar Disponible tambien sin casquillo	

A	Select required torque (according to service factor)	Seleziona la coppia desiderata (comprensiva del fattore di servizio)	Max. Drehmoment in Bezug zum Betriebsfaktor	Seleccionar el par deseado (incluyendo el factor de servicio)
B	Select output speed	Seleziona la velocità in uscita	Ausgewählte Abtriebsdrehzahl	Seleccionar la velocidad de salida
C	On the same line of selected geared motor, you can find the gear ratio	Sulla riga corrispondente alla motorizzazione prescelta si può rilevare il rapporto di riduzione	Auf der gleichen Linie wie die ausgewählte Motorleistung steht auch die Getriebeuntersetzung	En la línea correspondiente al motor preseleccionado es posible encontrar la relación de reducción
D	Select motor flange available (if requested)	Scegli la flangia disponibile (se richiesta)	Erhältliche Motorflansche (auf Anfrage)	Seleccionar la brida disponible (sobre pedido)



QUICK SELECTION / Selezione veloce

input speed (n_1) = 1400 min⁻¹

Output Speed n_2 [min ⁻¹]	Ratio i	Motor power P_{1M} [kW]	Output torque M_{2M} [Nm]	Service factor f.s.	Nominal power P_{1R} [kW]	Nominal torque M_{2R} [Nm]	Available B5 motor flanges		Available B14 motor flanges			Hollow Shaft 	Ratios code
							B	C	O	P	Q		
24.2	57.9	0.25	93	1.0	0.24	90			C	C		2844	01
13.4	104.8	0.12	83	1.1	0.13	90			C	C		1954	02
11.5	121.5	0.12	96	0.9	0.12	90			C	C		1756	03
9.8	142.6	0.09	90	1.0	0.10	90			C	C		1558	04
8.2	170.2	0.06	71	1.3	0.08	90			C	C		1360	05
6.0	232.3	0.06	96	0.9	0.06	90			C	C		1063	06
4.6	303.2	0.06	126	*	0.05	90			C	C		974	07
3.5	400.4	0.06	166	*	0.04	90			C	C		776	08

The dynamic efficiency is **0.93** for all ratios

A) Motor Flanges Available
Flange Motore Disponibili

B) Supplied with Reduction Bushing
Fornito con Bussola di Riduzione

B) Available on Request without reduction bushing
Disponibile a Richiesta senza Bussola di Riduzione

C) Motor Flange Holes Position
Posizione Fori Flangia Motore

* Power higher than the maximum one which can be born by the gearbox. Select according to the torque moment M_{2R}
Potenza superiore a quella massima sopportabile dal riduttore. Selezionare in base al momento torcente M_{2R} .

EN Unit **FS20** is supplied with synthetic oil for lifetime lubrication, no maintenance is necessary. See table 1 for lubrication and recommended quantity. In table 2 please see possible radial loads and axial loads on the gearbox. For complete documentation please visit our web site.

I Il riduttore **FS20** viene fornito completo di olio sintetico per la lubrificazione permanente e non necessita di alcuna manutenzione. Vedi tab.1 per oli e quantità consigliati. In tab.2 sono presenti i carichi radiali e assiali applicabili al riduttore. Per la documentazione completa consulta il nostro sito.

D Das Getriebe **FS20** ist mit synthetischem Öl gefüllt und ist lebensdauergeschmiert. In Tabelle 1 ist die Schmiermenge und das empfohlene Schmiermittel angegeben. In Tabelle 2 sind die zulässigen Radial- und Axialbelastungen des Getriebes aufgeführt. Die komplette Dokumentation, Wartungs- und Inbetriebnahmeanleitungen finden Sie unter.

E El reductor tamaño **FS20** se suministra, lubricado de por vida con aceite sintético y no requieren mantenimiento alguna. Ver tabla 1, para cantidades y aceites recomendados. En la tabla 2, se encuentran las cargas radiales y axiales admitidas por el reductor. Para documentación completa, consultar nuestra Web.

LUBRICATION FS20 Oil Quantity 0.50 Lt.

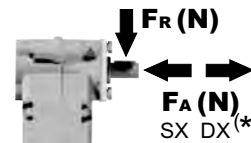
AGIP Telium VSF 320

SHELL Omala S4 WE 320

For all details on lubrication and plugs check our website **tab. 1**
Per maggiori dettagli su lubrificazione e tappi olio vedi il nostro sito web

RADIAL LOADS

Input shaft
Albero in entrata



n_1	FA	FR
1400	140	700
900	160	800

*Strong axial loads in the DX direction are not allowed.
Non sono consentiti forti carichi assiali con direzione DX

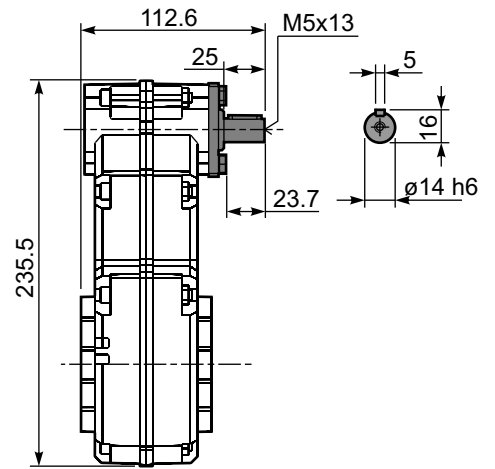
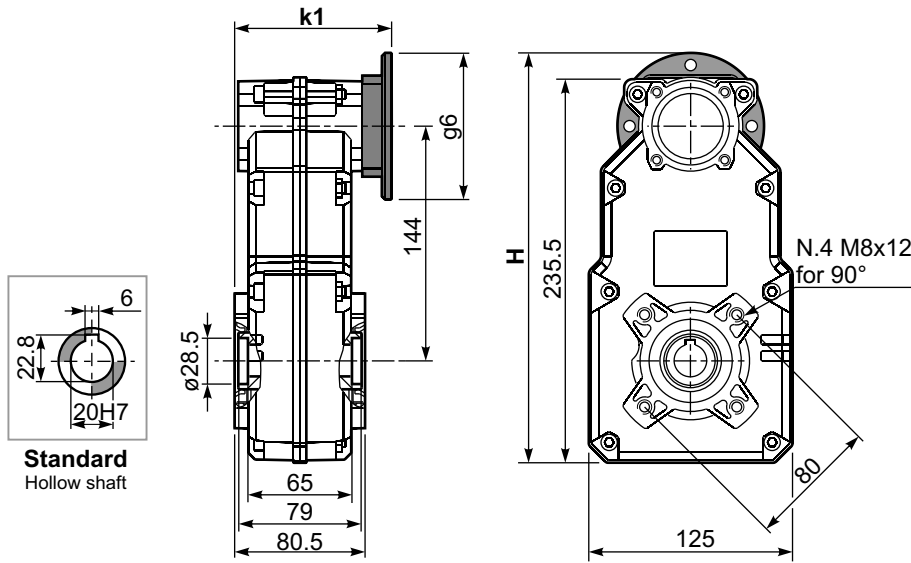
tab. 2

SELECT THIS TYPE AND THIS SPECIFIC SIZE ON THE WEB PAGES TO GET COMPLETE TECHNICAL DATA.
Selezionare tipo e gandezza specifica nel sito web per la documentazione completa.

PFS20... Basic gearbox
Riduttore base

Gearbox weight
peso riduttore **4.3 kg**

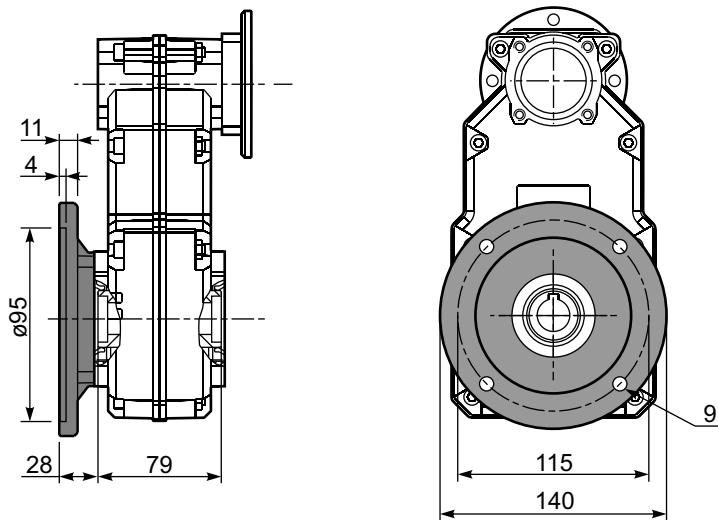
RFS20... Input Shaft
Albero in entrata



B14 Motor Flanges	H	g6	k1	kit code
56 B14	245.5	80	94.2	KC40.4.049
63 B14	251.5	90	96.7	K050.4.047
71 B14	259	105	94.2	K050.4.045

B5 Motor Flanges	H	g6	k1	kit code
63 B5	276.5	138	94.7	K050.4.041
71 B5	286.5	160	92.7	K050.4.042

PFS20-F Output flange
flangia di uscita





QUICK SELECTION / Selezione veloce input speed (n_1) = 1400 min⁻¹

Output Speed n_2 [min ⁻¹]	Ratio i	Motor power P_{1M} [kW]	Output torque M_{2M} [Nm]	Service factor f.s.	Nominal power P_{1R} [kW]	Nominal torque M_{2R} [Nm]	Available B5 motor flanges			Available B14 motor flanges			Output Shaft		
							D	E	F	R	T	U			Ratios code
							80	90	100 112	80	90	100 112		\emptyset	
481	2.91	4	76	1.7	6.7	130	B	B		B	B		3499	standard	01
373	3.75	4	98	1.5	6.0	150	B	B		B	B		28105	ø30	02
263	5.33	4	140	1.1	4.4	155	B	B		B	B		21112		03
219	6.39	4	167	0.9	3.6	155	B	B		B	B		18115	ø35	04
178	7.85	4	205	1.0	4.0	210	B	B		B	B		13102	On request	05

The dynamic efficiency is **0.98** for all ratios

Motor Flanges Available Flange Motore Disponibili
 B) Supplied with Reduction Bushing Fornito con Bussola di Riduzione
 B) Available on Request without reduction bushing Disponibile a Richiesta senza Bussola di Riduzione
 C) Motor Flange Holes Position Posizione Fori Flangia Motore

EN Unit **FA41** is supplied with synthetic oil for lifetime lubrication, no maintenance is necessary. See table 1 for lubrication and recommended quantity. In table 2 please see possible radial loads and axial loads on the gearbox. For complete documentation please visit our web site.

I Il riduttore **FA41** viene fornito completo di olio sintetico per la lubrificazione permanente e non necessita di alcuna manutenzione. Vedi tab.1 per oli e quantità consigliati. In tab.2 sono presenti i carichi radiali e assiali applicabili al riduttore. Per la documentazione completa consulta il nostro sito.

D Das Getriebe **FA41** ist mit synthetischem Öl gefüllt und ist lebensdauergeschmiert. In Tabelle 1 ist die Schmiermenge und das empfohlene Schmiermittel angegeben. In Tabelle 2 sind die zulässigen Radial - und Axialbelastungen des Getriebes aufgeführt. Die komplette Dokumentation, Wartungs - und Inbetriebnahmeanleitungen finden Sie unter.

E El reductor tamaño **FA41** se suministra, lubricado de por vida con aceite sintético y no requieren mantenimiento alguna. Ver tabla 1, para cantidades y aceites recomendados. En la tabla 2, se encuentran las cargas radiales y axiales admitidas por el reductor. Para documentación completa, consultar nuestra Web.

Standard supplied	For these mounting position specify in the order or add oil Per queste posizioni specificare in fase d'ordine o aggiungere olio				
1.10 LT	0.65 LT	0.65 LT	0.65 LT	1.15 LT	0.80 LT
AGIP Telium VSF 320			SHELL Omala S4 WE 320		

For all details on lubrication and plugs check our website tab. 1
Per maggiori dettagli su lubrificazione e tappi olio vedi il nostro sito web

RADIAL AND AXIAL LOADS

Output shaft
Albero di uscita

$F_R (N)$
 $F_A (N)$

$F_{eq} = F_R \cdot \frac{127.5}{X+97.5}$

n_2 [min ⁻¹]	FA	FR	n_2 [min ⁻¹]	FA	FR	n_2 [min ⁻¹]	FA	FR
300	300	1500	140	390	1950	70	490	2450
250	320	1600	120	410	2050	40	590	2950
200	350	1750	85	460	2300	15	800	4000

On request reinforced bearings to increase loads.
A richiesta cuscinetti rinforzati per aumentare i carichi.

tab. 2

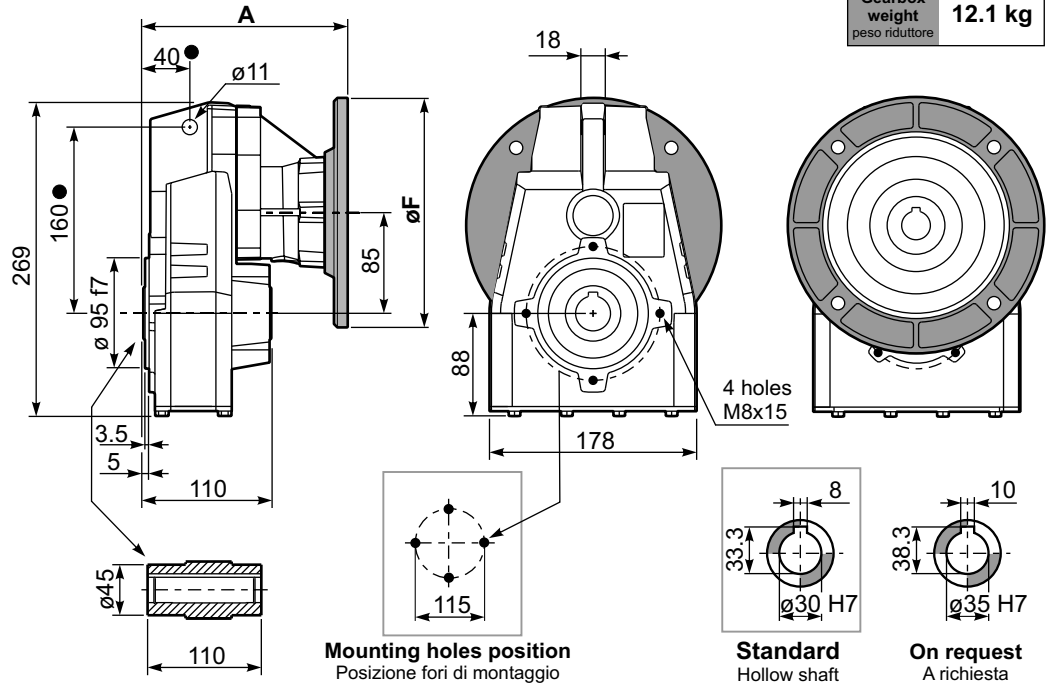
SELECT THIS TYPE AND THIS SPECIFIC SIZE ON THE WEB PAGES TO GET COMPLETE TECHNICAL DATA.
Selezionare tipo e gandezza specifica nel sito web per la documentazione completa.

PFA41C... Basic gearbox
Riduttore base

Gearbox weight
peso riduttore **12.1 kg**

M. flanges	Kit code	øF	A
80/90B5	KC023.4.042	200	179.5
100/112B5	KC023.4.043	250	185.5
80B14	KC085.4.046	120	177.5
90B14	KC085.4.045	140	177.5
100/112B14	KC085.4.047	160	188.5

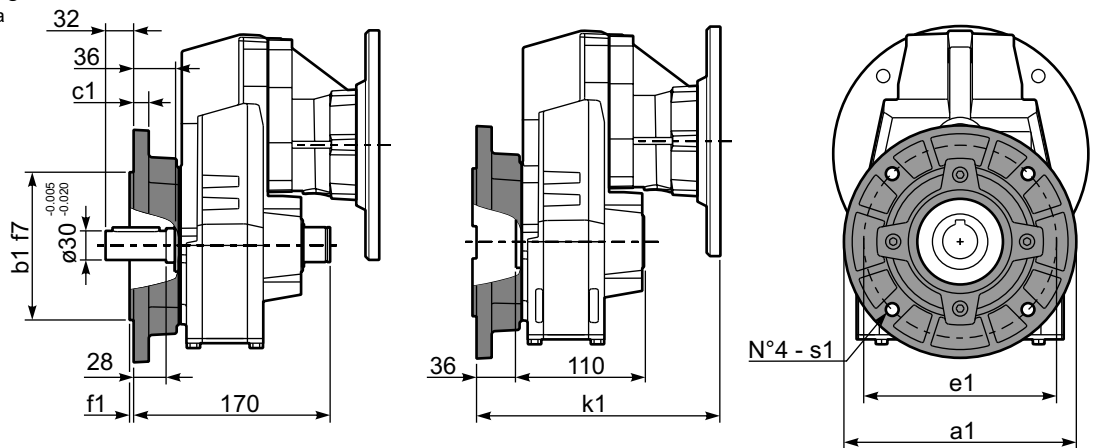
● Available torque arms,
see our web site
Bracci di reazione disponibili,
consulta il nostro sito web



PFA41...-F... Output flange
Flangia uscita

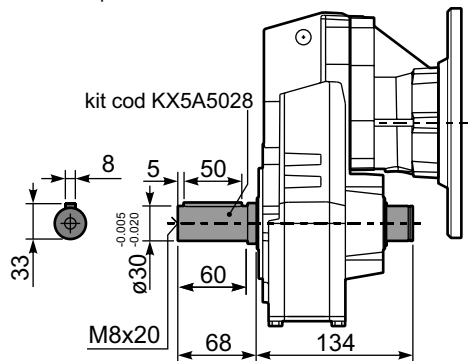
M. flanges	k1
80/90B5	215.5
100/112B5	221.5
80B14	213.5
90B14	213.5
100/112B14	224.5

Available output flanges
Flange di uscita



a1 ø	b1	c1	e1	f1	s1	Kit code
160	110	10	130	3	9	KX5A.9.010
200	130	13	165	3.5	11	KX5A.9.011
250	180	14	215	4	14	KX5A.9.012

PFA41 A... Single output shaft
Albero uscita semplice





QUICK SELECTION / Selezione veloce

input speed (n_1) = 1400 min⁻¹

Output Speed n_2 [min ⁻¹]	Ratio i	Motor power P_{1M} [kW]	Output torque M_{2M} [Nm]	Service factor f.s.	Nominal power P_{1R} [kW]	Nominal torque M_{2R} [Nm]	Available B5 motor flanges				Available B14 motor flanges				Output Shaft 	Ratios code
							B	C	D	E	Q	R	T	U		
							63	71	80	90	71	80	90	100 112		
167	8.38	4	215	1.0	4.0	220	B				C	C			2821	01
139	10.04	3	194	1.1	3.4	220	B				C	C			2818	02
114	12.33	3	238	1.0	3.0	240	B				C	C			2813	03
92	15.16	2.2	216	1.1	2.4	240	B				C	C			1921	04
80	17.57	2.2	250	1.0	2.2	250	B				C	C			1721	05
77	18.16	2.2	258	1.0	2.3	270	B				C	C			1918	06
67	21.05	2.2	299	1.0	2.2	300	B				C	C			1718	07
63	22.30	2.2	317	0.9	2.1	300	B				C	C			1913	08
57	24.70	1.5	242	1.2	1.9	300	B				C	C			1518	09
54	25.85	1.5	253	1.2	1.8	300	B				C	C			1713	10
47.5	29.49	1.5	289	1.0	1.6	300	B				C	C			1318	11
46.1	30.34	1.5	297	1.0	1.5	300	B				C	C			1513	12
41.7	33.60	1.1	240	1.0	1.1	250	B				C	C			1021	13
38.7	36.21	1.1	259	1.2	1.3	300	B				C	C			1313	14
34.8	40.25	1.1	288	1.0	1.1	300	B				C	C			1018	15
28.3	49.43	0.75	243	1.2	0.93	300	B				C	C			1013	16
26.7	52.53	0.75	258	1.0	0.73	250	B				C	C			918	17
21.7	64.51	0.55	234	1.3	0.71	300	B				C	C			913	18
20.2	69.37	0.37	168	1.1	0.40	180	B				C	C			718	19
16.4	85.19	0.37	206	1.1	0.39	220	B				C	C			713	20

The dynamic efficiency is 0.96 for all ratios

- Motor Flanges Available**
Flange Motore Disponibili
- B) Supplied with Reduction Bushing**
Fornito con Bussola di Riduzione
- B) Available on Request without reduction bushing**
Disponibile a Richiesta senza Bussola di Riduzione
- C) Motor Flange Holes Position**
Posizione Fori Flangia Motore

EN Unit FA42 is supplied with synthetic oil for lifetime lubrication, no maintenance is necessary. See table 1 for lubrication and recommended quantity. In table 2 please see possible radial loads and axial loads on the gearbox. For complete documentation please visit our web site.

I Il riduttore FA42 viene fornito completo di olio sintetico per la lubrificazione permanente e non necessita di alcuna manutenzione. Vedi tab.1 per oli e quantità consigliati. In tab.2 sono presenti i carichi radiali e assiali applicabili al riduttore. Per la documentazione completa consulta il nostro sito.

D Das Getriebe FA42 ist mit synthetischem Öl gefüllt und ist lebensdauergeschmiert. In Tabelle 1 ist die Schmiermenge und das empfohlene Schmiermittel angegeben. In Tabelle 2 sind die zulässigen Radial- und Axialbelastungen des Getriebes aufgeführt. Die komplette Dokumentation, Wartungs- und Inbetriebnahmeanleitungen finden Sie unter.

E El reductor tamaño FA42 se suministra, lubricado de por vida con aceite sintético y no requieren mantenimiento alguna. Ver tabla 1, para cantidades y aceites recomendados. En la tabla 2, se encuentran las cargas radiales y axiales admitidas por el reductor. Para documentación completa, consultar nuestra Web.

Standard supplied	For these mounting position specify in the order or add oil Per queste posizioni specificare in fase d'ordine o aggiungere olio				
1.15 LT	0.70 LT	0.70 LT	0.70 LT	1.20 LT	0.8 LT
AGIP Telium VSF 320			SHELL Omala S4 WE 320		

For all details on lubrication and plugs check our website **tab. 1**
Per maggiori dettagli su lubrificazione e tappi olio vedi il nostro sito web

RADIAL AND AXIAL LOADS

Output shaft
Albero di uscita

$F_{eq} = F_R \cdot \frac{127.5}{X+97.5}$

n_2 [min ⁻¹]	FA	FR	n_2 [min ⁻¹]	FA	FR	n_2 [min ⁻¹]	FA	FR
300	300	1500	140	390	1950	70	490	2450
250	320	1600	120	410	2050	40	590	2950
200	350	1750	85	460	2300	15	800	4000

On request reinforced bearings to increase loads.
A richiesta cuscinetti rinforzati per aumentare i carichi.

Input shaft
Albero in entrata

n_1	FA	FR
1400	240	1200
900	280	1400
500	340	1700

tab. 2

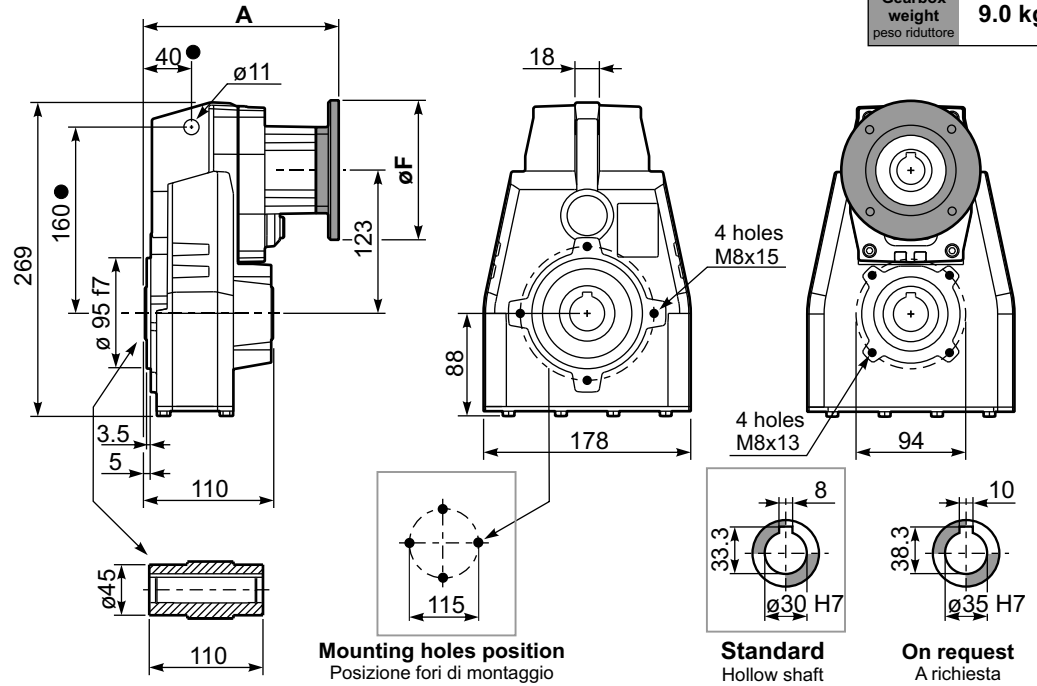
SELECT THIS TYPE AND THIS SPECIFIC SIZE ON THE WEB PAGES TO GET COMPLETE TECHNICAL DATA.
Selezionare tipo e gandezza specifica nel sito web per la documentazione completa.

PFA42C... Basic gearbox
Riduttore base

Gearbox weight **9.0 kg**
peso riduttore

M. flanges	Kit code	øF	A
63B5	K063.4.041	140	169.5
71B5	K063.4.042	160	167.5
80/90B5	K063.4.043	200	169.5
71B14	K063.4.047	105	167.5
80B14	K063.4.046	120	168.5
90B14	K063.4.041	140	169.5
100/112B14	KC40.4.041	160	185

● Available torque arms,
see our web site
Bracci di reazione disponibili,
consulta il nostro sito web

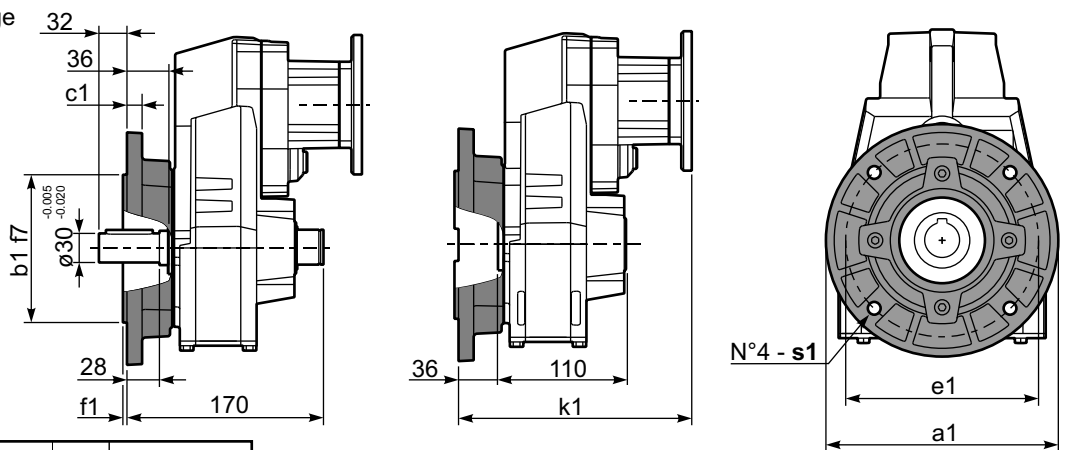


PFA42...-F... Output flange
Flangia uscita

Motor Flange	k1
63B5	205.5
71B5	203.5
80/90B5	205.5
71B14	203.5
80B14	204.5
90B14	205.5
100/112B14	221

Available output flanges
Flange di uscita

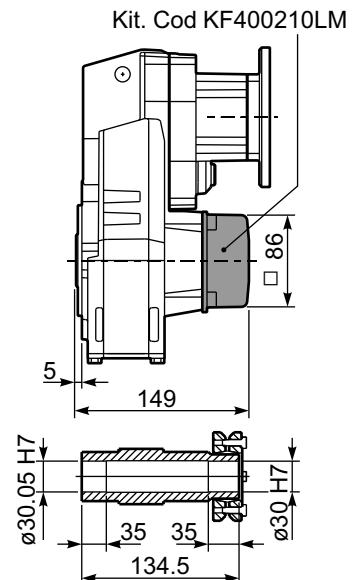
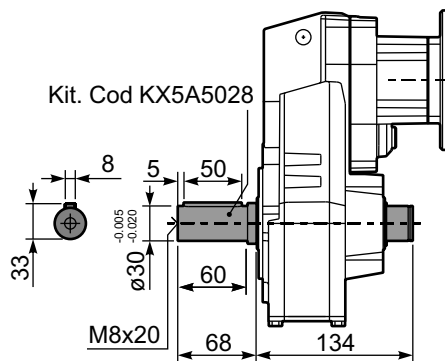
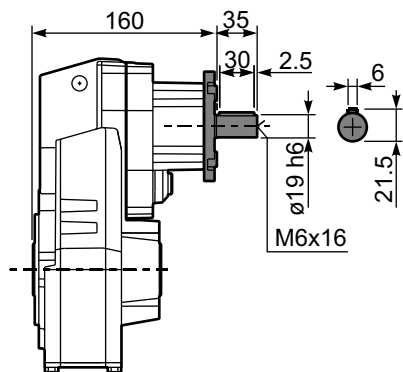
a1 ø	b1	c1	e1	f1	s1	Kit code
160	110	10	130	3	9	KX5A.9.010
200	130	13	165	3.5	11	KX5A.9.011
250	180	14	215	4	14	KX5A.9.012



RFA42C... Input Shaft
Albero in entrata

PFA42 A... Single output shaft
Albero uscita semplice

PFA42D... Shrink disk
Calettatore





QUICK SELECTION / Selezione veloce

input speed (n_1) = 1400 min⁻¹

Output Speed n_2 [min ⁻¹]	Ratio i	Motor power P_{1M} [kW]	Output torque M_{2M} [Nm]	Service factor f.s.	Nominal power P_{1R} [kW]	Nominal torque M_{2R} [Nm]	Available B5 motor flanges		Available B14 motor flanges			Output Shaft \varnothing	Ratios code
							B	C	O	P	Q		
							63	71	56	63	71		
18.8	74.33	0.37	176	1.7	0.63	300			C	C		191313	01
17.0	82.56	0.37	196	1.5	0.57	300			C	C		151318	02
16.0	87.48	0.37	208	1.4	0.53	300			C	C		131713	03
13.8	101.40	0.37	241	1.2	0.46	300			C	C		151313	04
11.4	122.57	0.37	291	1.0	0.38	300			C	C		131313	05
10.1	138.59	0.37	329	0.9	0.34	300			C	C		101318	06
8.7	160.82	0.25	257	1.2	0.29	300			C	C		91713	07
8.2	170.20	0.25	272	1.1	0.27	300			C	C		101313	08
7.6	183.48	0.25	294	1.0	0.25	300			C	C		91318	09
6.5	214.15	0.18	262	1.1	0.22	300			C	C		71713	10
6.2	225.33	0.18	276	1.1	0.21	300			C	C		91313	11
5.7	244.32	0.18	299	1.0	0.19	300			C	C		71318	12
5.5	254.15	0.18	311	1.0	0.18	300			C	C		61713	13
4.8	289.96	0.12	229	1.3	0.16	300			C	C		61318	14
4.7	300.05	0.12	237	1.3	0.16	300			C	C		71313	15
3.9	356.09	0.12	282	1.1	0.13	300			C	C		61313	16

The dynamic efficiency is **0.94** for all ratios

Motor Flanges Available
Flange Motore Disponibili

B) Supplied with Reduction Bushing
Fornito con Bussola di Riduzione

B) Available on Request without reduction bushing
Disponibile a Richiesta senza Bussola di Riduzione

C) Motor Flange Holes Position
Posizione Fori Flangia Motore

EN Unit **FA43** is supplied with synthetic oil for lifetime lubrication, no maintenance is necessary. See table 1 for lubrication and recommended quantity. In table 2 please see possible radial loads and axial loads on the gearbox. For complete documentation please visit our web site.

I Il riduttore **FA43** viene fornito completo di olio sintetico per la lubrificazione permanente e non necessita di alcuna manutenzione. Vedi tab.1 per oli e quantità consigliati. In tab.2 sono presenti i carichi radiali e assiali applicabili al riduttore. Per la documentazione completa consulta il nostro sito.

D Das Getriebe **FA43** ist mit synthetischem Öl gefüllt und ist lebensdauergeschmiert. In Tabelle 1 ist die Schmiermenge und das empfohlene Schmiermittel angegeben. In Tabelle 2 sind die zulässigen Radial - und Axialbelastungen des Getriebes aufgeführt. Die komplette Dokumentation, Wartungs - und Inbetriebnahmeanleitungen finden Sie unter.

E El reductor tamaño **FA43** se suministra, lubricado de por vida con aceite sintético y no requieren mantenimiento alguna. Ver tabla 1, para cantidades y aceites recomendados. En la tabla 2, se encuentran las cargas radiales y axiales admitidas por el reductor. Para documentación completa, consultar nuestra Web.

Standard supplied	For these mounting position specify in the order or add oil Per queste posizioni specificare in fase d'ordine o aggiungere olio				
H1	H4	H3	H2	H5	H6
1.30 LT	0.70 LT	0.70 LT	0.70 LT	1.35 LT	0.90 LT
AGIP Telium VSF 320			SHELL Omala S4 WE 320		

For all details on lubrication and plugs check our website **tab. 1**
Per maggiori dettagli su lubrificazione e tappi olio vedi il nostro sito web

RADIAL AND AXIAL LOADS

Output shaft
Albero di uscita

$F_{eq} = F_R \cdot \frac{127.5}{X+97.5}$

n_2 [min ⁻¹]	FA	FR	n_2 [min ⁻¹]	FA	FR	n_2 [min ⁻¹]	FA	FR
300	300	1500	140	390	1950	70	490	2450
250	320	1600	120	410	2050	40	590	2950
200	350	1750	85	460	2300	15	800	4000

On request reinforced bearings to increase loads.
A richiesta cuscinetti rinforzati per aumentare i carichi.

Input shaft
Albero in entrata

n_1	FA	FR
1400	140	700
900	160	800
500	190	950

tab. 2

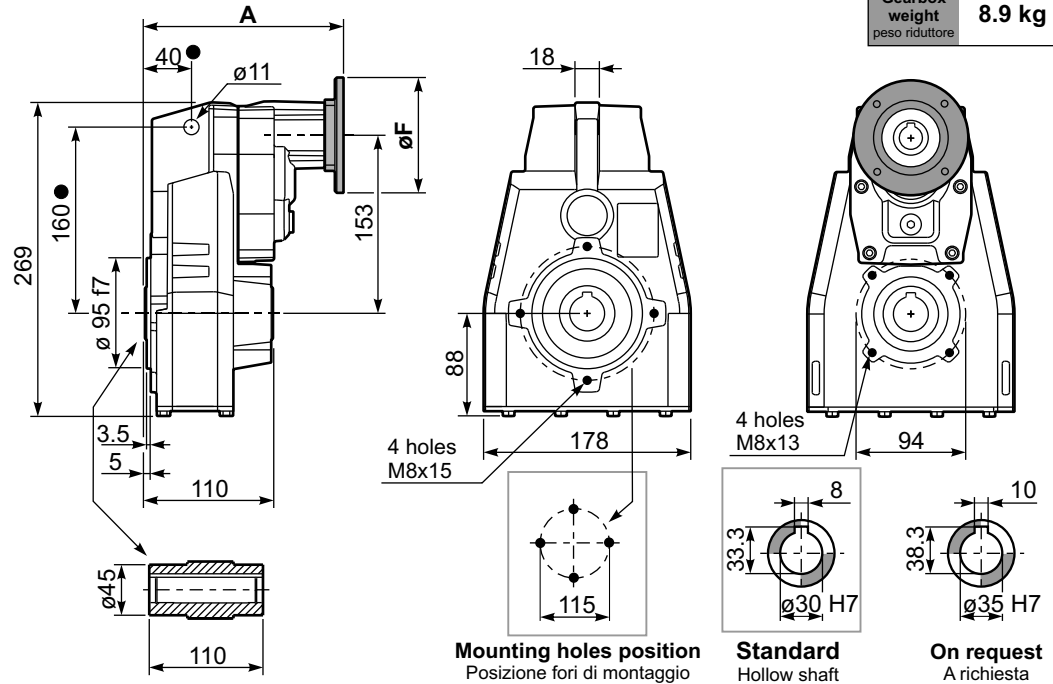
▪ **SELECT THIS TYPE AND THIS SPECIFIC SIZE ON THE WEB PAGES TO GET COMPLETE TECHNICAL DATA.**
Selezionare tipo e gandezza specifica nel sito web per la documentazione completa.

PFA43C... Basic gearbox
Riduttore base

Gearbox weight **8.9 kg**
peso riduttore

M. flanges	Kit code	øF	A
63B5	K050.4.041	138	173
71B5	K050.4.042	160	171
56B14	KC40.4.049	80	172.5
63B14	K050.4.047	90	175
71B14	K050.4.045	105	172.5

● Available torque arms, see our web site
Bracci di reazione disponibili, consulta il nostro sito web

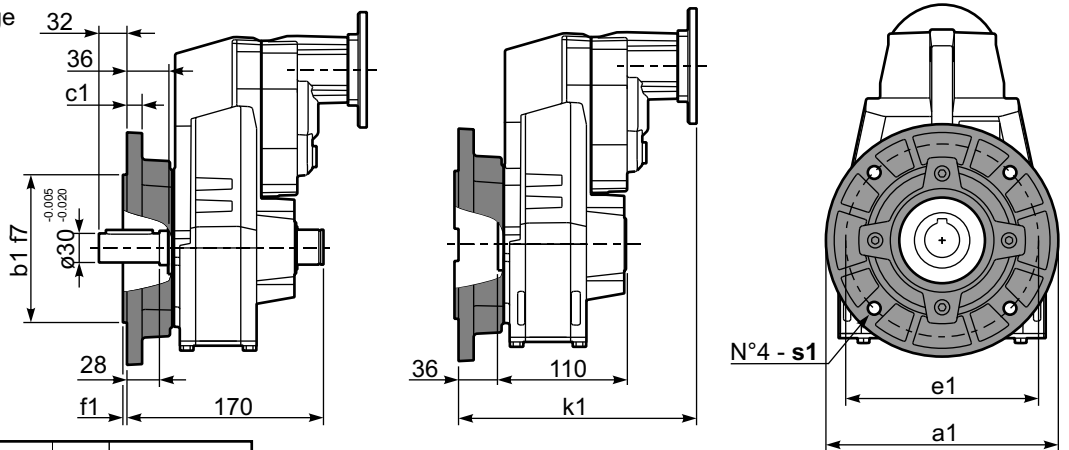


PFA43...-F... Output flange
Flangia uscita

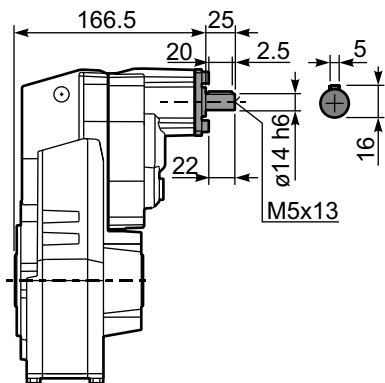
Motor Flange	k1
63B5	209
71B5	207
56B14	208.5
63B14	211
71B14	208.5

Available output flanges
Flange di uscita

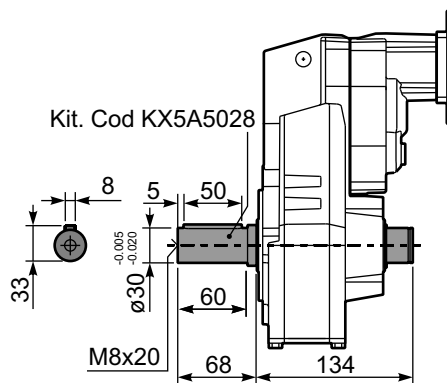
a1 ø	b1	c1	e1	f1	s1	Kit code
160	110	10	130	3	9	KX5A.9.010
200	130	13	165	3.5	11	KX5A.9.011
250	180	14	215	4	14	KX5A.9.012



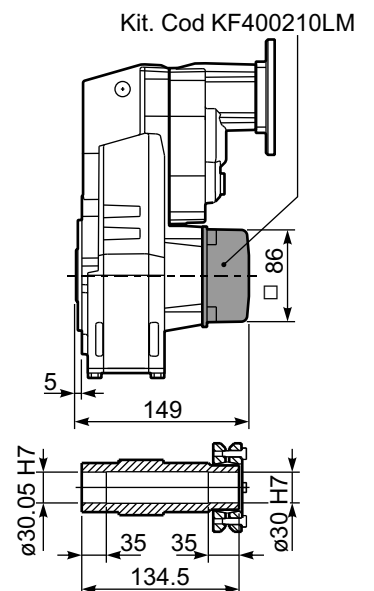
RFA43C... Input Shaft
Albero in entrata



PFA43 A... Single output shaft
Albero uscita semplice



PFA43D... Shrink disk
Calettatore





QUICK SELECTION / Selezione veloce

input speed (n_1) = 1400 min⁻¹

Output Speed n_2 [min ⁻¹]	Ratio i	Motor power P_{1M} [kW]	Output torque M_{2M} [Nm]	Service factor $f.s.$	Nominal power P_{1R} [kW]	Nominal torque M_{2R} [Nm]	Available B5 motor flanges				Available B14 motor flanges				Output Shaft 	Ratios code
							C	D	E	F	R	T	U	V		
							71	80	90	100 112	80	90	100 112	132		
213	6.57	5.5	230	1.0	5.6	240	B								3018	01
185	7.56	5.5	265	0.9	5.1	250	B								3016	02
159	8.82	4	226	1.1	4.5	260	B								3014	03
113	12.39	4	318	1.2	4.6	370	B								2018	04
98	14.24	4	365	1.0	4.1	380	B								2016	05
84	16.75	4	429	0.9	3.7	400	B								1618	06
73	19.25	4	494	0.9	3.3	420	B								1616	07
64	21.78	3	420	1.0	2.9	420	B								1318	08
56	25.04	3	483	0.9	2.6	420	B								1316	09
47.9	29.23	2.2	416	1.0	2.2	420	B								1314	10
45.7	30.65	2.2	436	1.0	2.1	420	B								1116	11
39.1	35.78	1.5	351	1.2	1.8	420	B								1114	12
36.3	38.55	1.5	378	1.1	1.7	420	B								818	13
31.6	44.32	1.5	434	1.0	1.5	420	B								816	14
27.1	51.74	1.1	370	1.1	1.2	420	B								814	15
22.9	61.03	1.1	437	1.0	1.1	420	B								616	16
19.6	71.25	0.75	350	1.2	0.90	420	B								614	17

The dynamic efficiency is **0.96** for all ratios

- Motor Flanges Available** Flange Motore Disponibili
- Supplied with Reduction Bushing** Fornito con Bussola di Riduzione
- Available on Request without reduction bushing** Disponibile a Richiesta senza Bussola di Riduzione
- Motor Flange Holes Position** Posizione Fori Flangia Motore

EN Unit **FA52** is supplied with synthetic oil for lifetime lubrication, no maintenance is necessary. See table 1 for lubrication and recommended quantity. In table 2 please see possible radial loads and axial loads on the gearbox. For complete documentation please visit our web site.

I Il riduttore **FA52** viene fornito completo di olio sintetico per la lubrificazione permanente e non necessita di alcuna manutenzione. Vedi tab.1 per oli e quantità consigliati. In tab.2 sono presenti i carichi radiali e assiali applicabili al riduttore. Per la documentazione completa consulta il nostro sito.

D Das Getriebe **FA52** ist mit synthetischem Öl gefüllt und ist lebensdauergeschmiert. In Tabelle 1 ist die Schmiermenge und das empfohlene Schmiermittel angegeben. In Tabelle 2 sind die zulässigen Radial- und Axialbelastungen des Getriebes aufgeführt. Die komplette Dokumentation, Wartungs- und Inbetriebnahmeanleitungen finden Sie unter.

E El reductor tamaño **FA52** se suministra, lubricado de por vida con aceite sintético y no requieren mantenimiento alguna. Ver tabla 1, para cantidades y aceites recomendados. En la tabla 2, se encuentran las cargas radiales y axiales admitidas por el reductor. Para documentación completa, consultar nuestra Web.

Standard supplied	For these mounting position specify in the order or add oil Per queste posizioni specificare in fase d'ordine o aggiungere olio				
1.85 LT	1.15 LT	1.15 LT	1.30 LT	2.10 LT	1.30 LT
AGIP Telium VSF 320			SHELL Omala S4 WE 320		

For all details on lubrication and plugs check our website **tab. 1**
Per maggiori dettagli su lubrificazione e tappi olio vedi il nostro sito web

RADIAL AND AXIAL LOADS

Output shaft
Albero di uscita

$F_{eq} = FR \cdot \frac{149.5}{X+119.5}$

n_2	FA	FR	n_2	FA	FR	n_2	FA	FR
300	400	2000	140	460	2300	70	580	2900
250	420	2100	120	500	2500	40	780	3900
200	440	2200	85	550	2750	15	1140	5700

On request reinforced bearings to increase loads.
A richiesta cuscinetti rinforzati per aumentare i carichi.

Input shaft
Albero in entrata

n_1	FA	FR
1400	400	2000
900	440	2200
500	440	2200

tab. 2

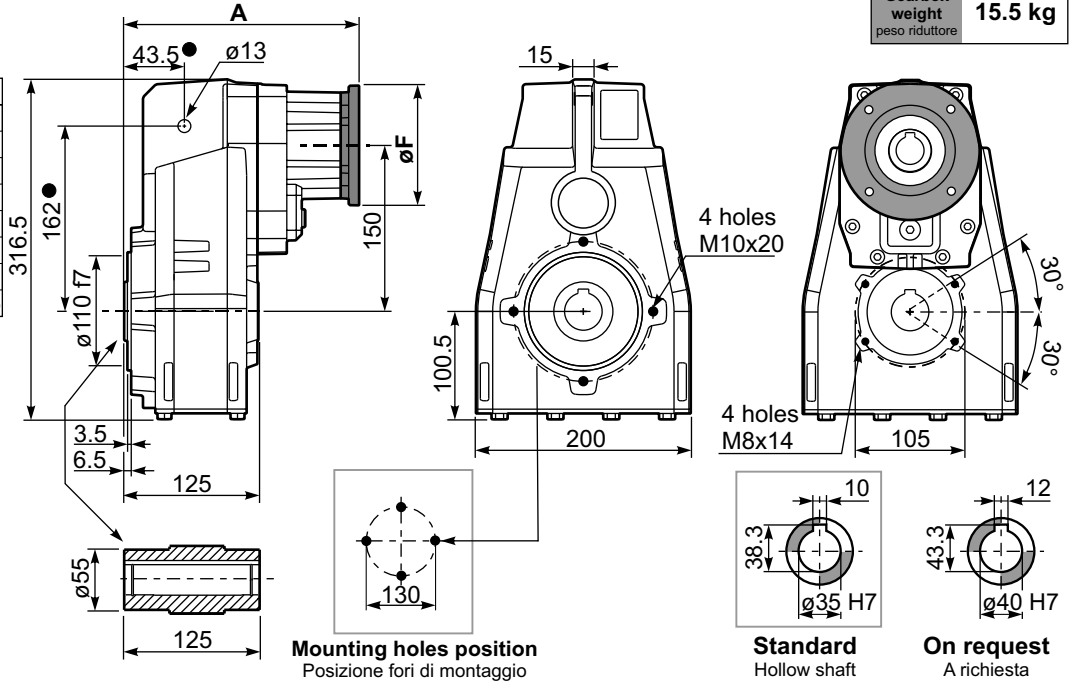
SELECT THIS TYPE AND THIS SPECIFIC SIZE ON THE WEB PAGES TO GET COMPLETE TECHNICAL DATA.
Selezionare tipo e gandezza specifica nel sito web per la documentazione completa.

PFA52C... Basic gearbox
Riduttore base

Gearbox weight
peso riduttore **15.5 kg**

M. flanges	Kit code	øF	A
71B5	KC023.4.041	160	227
80/90B5	KC023.4.042	200	229
100/112B5	KC023.4.043	250	235
80B14	KC085.4.046	120	227
90B14	KC085.4.045	140	227
100/112B14	KC085.4.047	160	238
132B14	KC50.4.041	200	256.5

● Available torque arms,
see our web site
Bracci di reazione disponibili,
consulta il nostro sito web

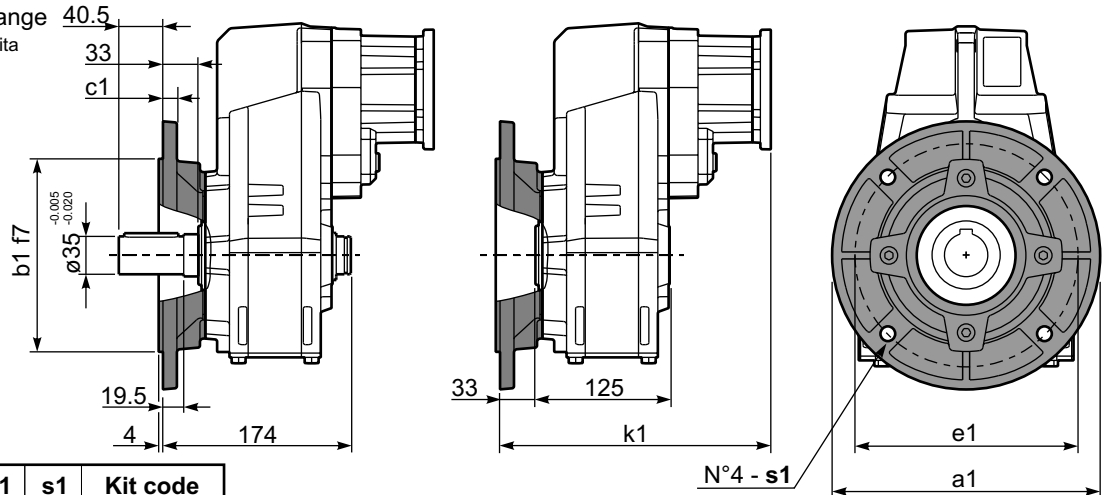


PFA52...-F... Output flange 40.5
Flangia uscita

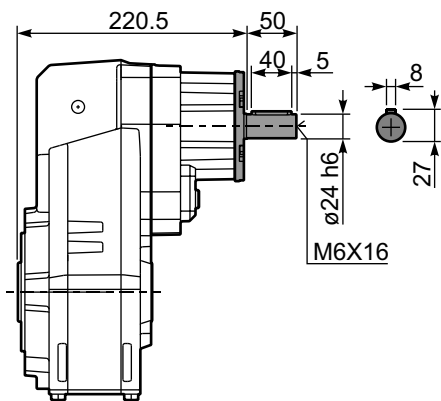
M. flanges	k1
71B5	260
80/90B5	262
100/112B5	268
80B14	260
90B14	260
100/112B14	271
132B14	289.5

Available output flanges
Flange di uscita

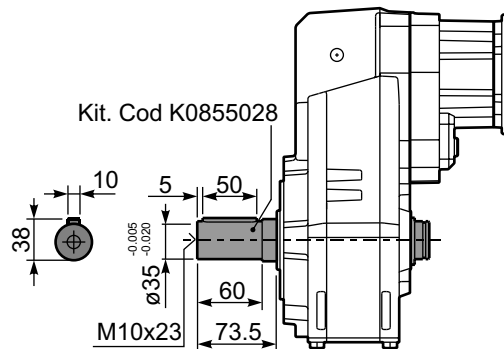
a1 ø	b1	c1	e1	s1	Kit code
250	180	13	215	14	KF60.9.011
300	230	16	265	14	KF60.9.012



RFA52C... Input Shaft
Albero in entrata

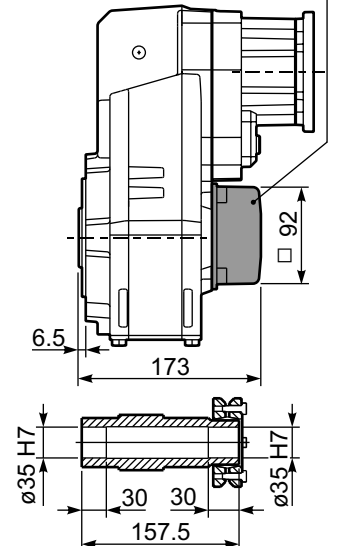


PFA52 A... Single output shaft
Albero uscita semplice



PFA52D... Shrink disk
Calettatore

Kit. Cod KF600210LM





QUICK SELECTION / Selezione veloce

input speed (n_1) = 1400 min⁻¹

Output Speed n_2 [min ⁻¹]	Ratio i	Motor power P_{1M} [kW]	Output torque M_{2M} [Nm]	Service factor f.s.	Nominal power P_{1R} [kW]	Nominal torque M_{2R} [Nm]	Available B5 motor flanges				Available B14 motor flanges			Output Shaft 	Ratios code
							B	C	D	E	Q	R	T		
							63	71	80	90	71	80	90		
22.6	61.89	1.1	434	1.0	1.1	450	B				C	C		191318	01
19.7	71.16	1.1	499	0.9	1.0	450	B				C	C		191316	02
17.0	82.48	0.75	397	1.1	0.85	450	B				C	C		171316	03
14.5	96.29	0.75	463	1.0	0.73	450	B				C	C		171314	04
13.9	100.51	0.75	483	0.9	0.70	450	B				C	C		131318	05
12.1	115.56	0.55	410	1.1	0.61	450	B				C	C		131316	06
11.1	125.96	0.55	447	1.0	0.56	450	B				C	C		190816	07
10.4	134.91	0.55	479	0.9	0.52	450	B				C	C		131314	08
9.5	147.05	0.55	522	0.9	0.48	450	B				C	C		190814	09
8.2	170.44	0.37	404	1.1	0.41	450	B				C	C		170814	10
7.6	184.15	0.37	437	1.0	0.38	450	B				C	C		101314	11
6.8	205.87	0.37	488	0.9	0.34	450	B				C	C		91316	12
5.8	240.34	0.25	385	1.2	0.29	450	B				C	C		91314	13
5.0	279.22	0.25	447	1.0	0.25	450	B				C	C		100816	14
4.3	325.97	0.25	522	0.9	0.22	450	B				C	C		100814	15
3.8	364.41	0.18	446	1.0	0.19	450	B				C	C		90816	16
3.3	425.43	0.18	520	0.9	0.16	450	B				C	C		90814	17
2.9	481.19	0.12	380	1.2	0.15	450	B				C	C		70816	18
2.5	561.76	0.12	444	1.0	0.12	450	B				C	C		70814	19

The dynamic efficiency is 0.94 for all ratios

- Motor Flanges Available Flange Motore Disponibili
- Supplied with Reduction Bushing Fornito con Bussola di Riduzione
- Available on Request without reduction bushing Disponibile a Richiesta senza Bussola di Riduzione
- Motor Flange Holes Position Posizione Fori Flangia Motore

EN Unit FA53 is supplied with synthetic oil for lifetime lubrication, no maintenance is necessary. See table 1 for lubrication and recommended quantity. In table 2 please see possible radial loads and axial loads on the gearbox. For complete documentation please visit our web site.

I Il riduttore FA53 viene fornito completo di olio sintetico per la lubrificazione permanente e non necessita di alcuna manutenzione. Vedi tab.1 per oli e quantità consigliati. In tab.2 sono presenti i carichi radiali e assiali applicabili al riduttore. Per la documentazione completa consulta il nostro sito.

D Das Getriebe FA53 ist mit synthetischem Öl gefüllt und ist lebensdauer geschmiert. In Tabelle 1 ist die Schmiermenge und das empfohlene Schmiermittel angegeben. In Tabelle 2 sind die zulässigen Radial- und Axialbelastungen des Getriebes aufgeführt. Die komplette Dokumentation, Wartungs- und Inbetriebnahmeanleitungen finden Sie unter.

E El reductor tamaño FA53 se suministra, lubricado de por vida con aceite sintético y no requieren mantenimiento alguna. Ver tabla 1, para cantidades y aceites recomendados. En la tabla 2, se encuentran las cargas radiales y axiales admitidas por el reductor. Para documentación completa, consultar nuestra Web.

Standard supplied	For these mounting position specify in the order or add oil Per queste posizioni specificare in fase d'ordine o aggiungere olio				
2.15 LT	1.25 LT	1.25 LT	1.45 LT	2.35 LT	1.45 LT
AGIP Telium VSF 320			SHELL Omala S4 WE 320		

For all details on lubrication and plugs check our website **tab. 1**
Per maggiori dettagli su lubrificazione e tappi olio vedi il nostro sito web

RADIAL AND AXIAL LOADS

Output shaft
Albero di uscita

$F_{eq} = FR \cdot \frac{149.5}{X+119.5}$

n_2	FA	FR	n_2	FA	FR	n_2	FA	FR
300	400	2000	140	460	2300	70	580	2900
250	420	2100	120	500	2500	40	780	3900
200	440	2200	85	550	2750	15	1140	5700

On request reinforced bearings to increase loads.
A richiesta cuscinetti rinforzati per aumentare i carichi.

Input shaft
Albero in entrata

n_1	FA	FR
1400	240	1200
900	280	1400
500	340	1700

tab. 2

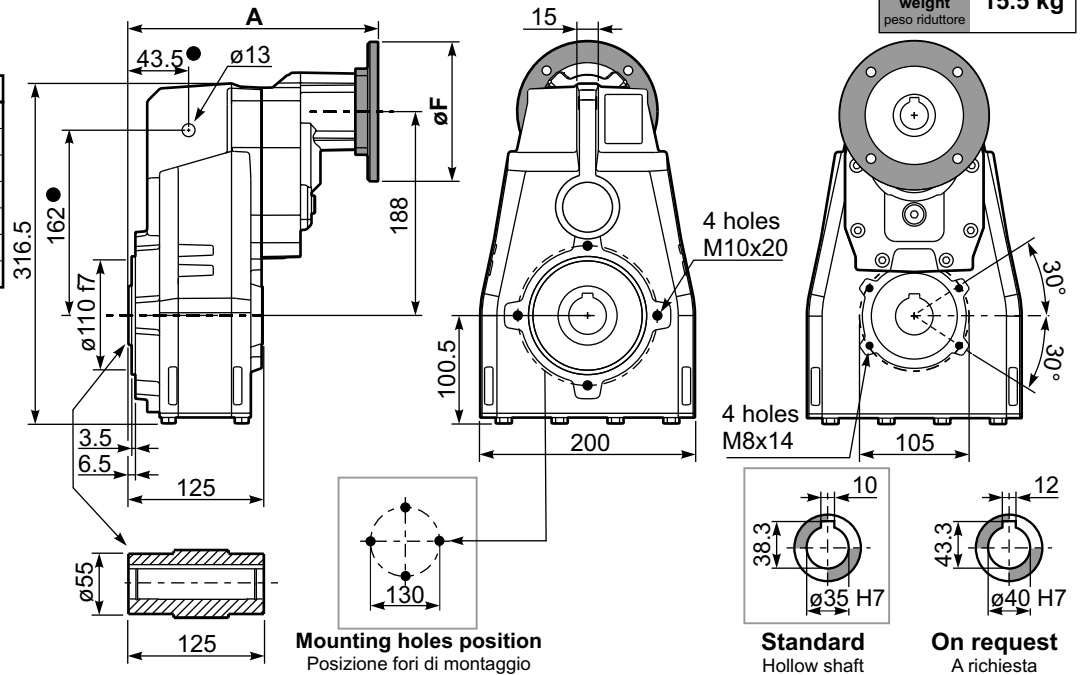
SELECT THIS TYPE AND THIS SPECIFIC SIZE ON THE WEB PAGES TO GET COMPLETE TECHNICAL DATA.
Selezionare tipo e gandezza specifica nel sito web per la documentazione completa.

PFA53C... Basic gearbox
Riduttore base

Gearbox weight **15.5 kg**
peso riduttore

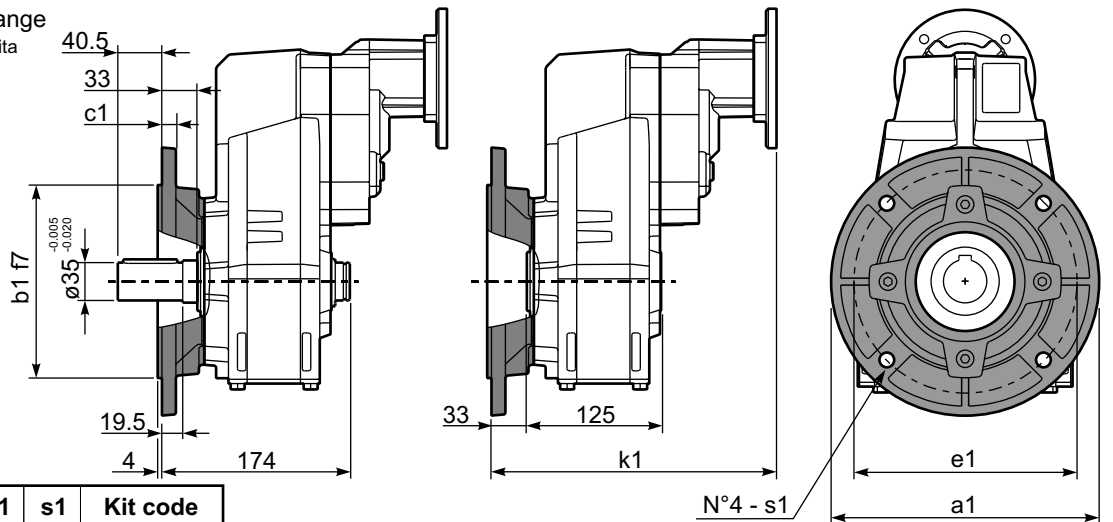
M. flanges	Kit code	øF	A
63B5	K063.4.041	140	239
71B5	K063.4.042	160	237
80/90B5	K063.4.043	200	239
71B14	K063.4.047	105	237
80B14	K063.4.046	120	238
90B14	K063.4.041	140	239

● Available torque arms, see our web site
Bracci di reazione disponibili, consulta il nostro sito web



PFA53...-F... Output flange
Flangia uscita

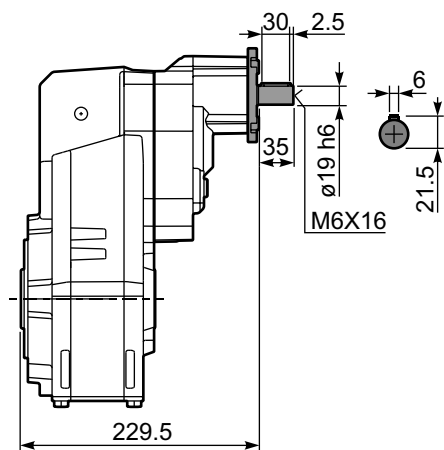
Motor Flange	k1
63B5	272
71B5	270
80/90B5	272
71B14	270
80B14	271
90B14	272



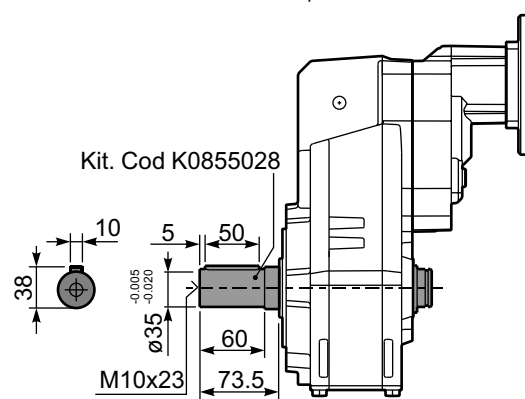
Available output flanges
Flange di uscita

a1 ø	b1	c1	e1	s1	Kit code
250	180	13	215	14	KF60.9.011
300	230	16	265	14	KF60.9.012

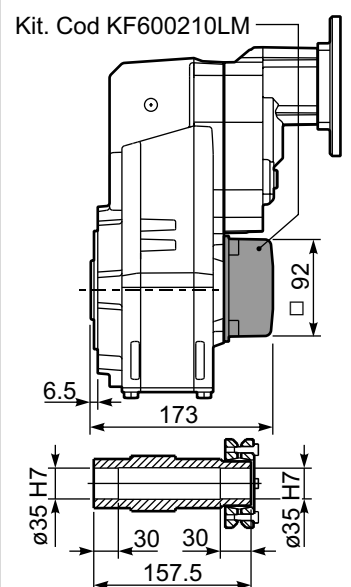
RFA53C... Input Shaft
Albero in entrata



PFA53 A... Single output shaft
Albero uscita semplice



PFA53 D... Shrink disk
Calettatore





▪ **QUICK SELECTION / Selezione veloce**

input speed (n_1) = 1400 min⁻¹

Output Speed n_2 [min ⁻¹]	Ratio i	Motor power P_{1M} [kW]	Output torque M_{2M} [Nm]	Service factor f.s.	Nominal power P_{1R} [kW]	Nominal torque M_{2R} [Nm]	Available B5 motor flanges		B14 motor flanges				Output Shaft		
							G		-	-	-	-			Ratios code
508	2.76	9	166	1.5	13.3	245	132		not available						
395	3.54	9	213	1.2	10.8	255							2485	ø35	02
277	5.06	7.5	245	1.1	7.7	260							1891		03
241	5.81	7.5	281	1.1	7.7	300							1693	ø40	04
206	6.79	7.5	329	1.1	8.0	360							1495	On request	05

The dynamic efficiency is **0.98** for all ratios

Motor Flanges Available
Flange Motore Disponibili

B) Supplied with Reduction Bushing
Fornito con Bussola di Riduzione

B) Available on Request without reduction bushing
Disponibile a Richiesta senza Bussola di Riduzione

C) Motor Flange Holes Position
Posizione Fori Flangia Motore

EN Unit **FA61** is supplied with synthetic oil for lifetime lubrication, no maintenance is necessary. See table 1 for lubrication and recommended quantity. In table 2 please see possible radial loads and axial loads on the gearbox.
For complete documentation please visit our web site.

I Il riduttore **FA61** viene fornito completo di olio sintetico per la lubrificazione permanente e non necessita di alcuna manutenzione. Vedi tab.1 per oli e quantità consigliati. In tab.2 sono presenti i carichi radiali e assiali applicabili al riduttore.
Per la documentazione completa consulta il nostro sito.

D Das Getriebe **FA61** ist mit synthetischem Öl gefüllt und ist lebensdauergeschmiert. In Tabelle 1 ist die Schmiermenge und das empfohlene Schmiermittel angegeben. In Tabelle 2 sind die zulässigen Radial - und Axialbelastungen des Getriebes aufgeführt. Die komplette Dokumentation, Wartungs - und Inbetriebnahmeanleitungen finden Sie unter.

E El reductor tamaño **FA61** se suministra, lubricado de por vida con aceite sintético y no requieren mantenimiento alguna. Ver tabla 1, para cantidades y aceites recomendados. En la tabla 2, se encuentran las cargas radiales y axiales admitidas por el reductor.
Para documentación completa, consultar nuestra Web.

Standard supplied	For these mounting position specify in the order or add oil Per queste posizioni specificare in fase d'ordine o aggiungere olio				
1.85 LT	1.15 LT	1.15 LT	1.30 LT	1.95 LT	1.30 LT
AGIP Telium VSF 320			SHELL Omala S4 WE 320		

For all details on lubrication and plugs check our website **tab. 1**
Per maggiori dettagli su lubrificazione e tappi olio vedi il nostro sito web

RADIAL AND AXIAL LOADS								
Output shaft Albero di uscita			$F_{eq} = FR \cdot \frac{149.5}{X+119.5}$					
n_2	FA	FR	n_2	FA	FR	n_2	FA	FR
300	600	3000	140	720	3600	70	940	4700
250	640	3200	120	740	3700	40	1220	6100
200	690	3460	85	860	4300	15	1300	6500
On request reinforced bearings to increase loads. A richiesta cuscinetti rinforzati per aumentare i carichi.								

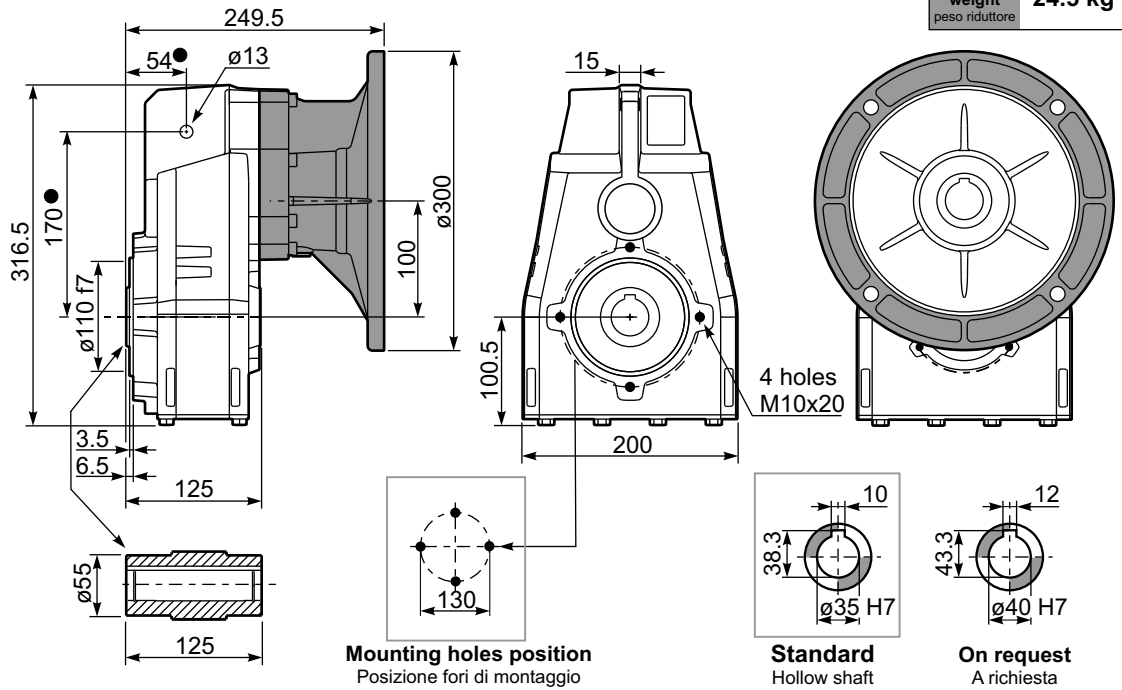
tab. 2

▪ **SELECT THIS TYPE AND THIS SPECIFIC SIZE ON THE WEB PAGES TO GET COMPLETE TECHNICAL DATA.**
Selezionare tipo e gandezza specifica nel sito web per la documentazione completa.

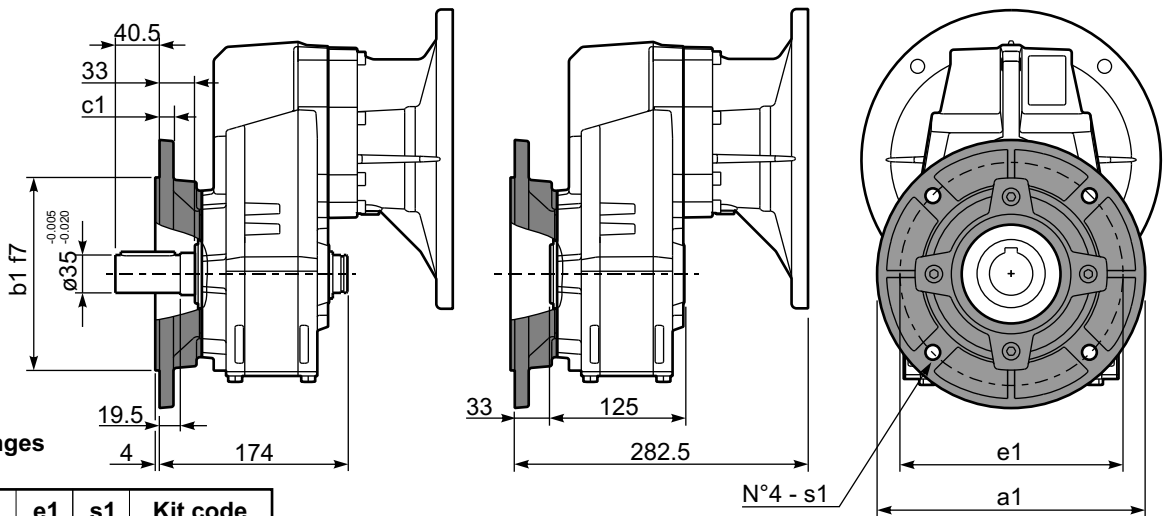
PFA51C... Basic gearbox
Riduttore base

Gearbox weight **24.5 kg**
peso riduttore

- Available torque arms, see our web site
Bracci di reazione disponibili, consulta il nostro sito web



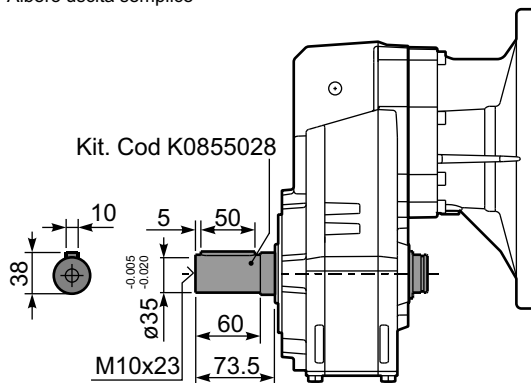
PFA51...-F... Output flange
Flangia uscita



Available output flanges
Flange di uscita

a1 ϕ	b1	c1	e1	s1	Kit code
250	180	13	215	14	KF60.9.011
300	230	16	265	14	KF60.9.012

PFA51 A... Single output shaft
Albero uscita semplice





QUICK SELECTION / Selezione veloce input speed (n_1) = 1400 min⁻¹

Output Speed n_2 [min ⁻¹]	Ratio i	Motor power P_{1M} [kW]	Output torque M_{2M} [Nm]	Service factor $f.s.$	Nominal power P_{1R} [kW]	Nominal torque M_{2R} [Nm]	Available B5 motor flanges				Available B14 motor flanges				Output Shaft 	Ratios code
							C	D	E	F	R	T	U	V		
							71	80	90	100 112	80	90	100 112	132		
213	6.57	7.5	312	1.2	8.4	360	B								3018	01
185	7.56	7.5	359	1.0	7.5	370	B								3016	02
159	8.82	7.5	419	0.9	6.7	385	B								3014	03
113	12.39	7.5	588	0.9	6.8	550	B								2018	04
98	14.24	5.5	499	1.1	6.1	570	B								2016	05
84	16.75	5.5	587	1.0	5.5	600	B								1618	06
73	19.25	4	494	1.2	4.8	600	B								1616	07
64	21.78	4	558	1.1	4.2	600	B								1318	08
56	25.04	4	642	0.9	3.7	600	B								1316	09
47.9	29.23	3	564	1.1	3.1	600	B								1314	10
45.7	30.65	3	592	1.0	3.0	600	B								1116	11
39.1	35.78	2.2	509	1.2	2.6	600	B								1114	12
36.3	38.55	2.2	548	1.1	2.3	580	B								818	13
31.6	44.32	2.2	630	1.0	2.1	600	B								816	14
27.1	51.74	1.5	507	1.2	1.8	600	B								814	15
22.9	61.03	1.1	437	1.1	1.2	460	B								616	16
19.6	71.25	1.1	510	1.0	1.2	535	B								614	17

The dynamic efficiency is **0.96** for all ratios

Motor Flanges Available Flange Motore Disponibili
Supplied with Reduction Bushing Fornito con Bussola di Riduzione
Available on Request without reduction bushing Disponibile a Richiesta senza Bussola di Riduzione
Motor Flange Holes Position Posizione Fori Flangia Motore

EN Unit **FA62** is supplied with synthetic oil for lifetime lubrication, no maintenance is necessary. See table 1 for lubrication and recommended quantity. In table 2 please see possible radial loads and axial loads on the gearbox. For complete documentation please visit our web site.

I Il riduttore **FA62** viene fornito completo di olio sintetico per la lubrificazione permanente e non necessita di alcuna manutenzione. Vedi tab.1 per oli e quantità consigliati. In tab.2 sono presenti i carichi radiali e assiali applicabili al riduttore. Per la documentazione completa consulta il nostro sito.

D Das Getriebe **FA62** ist mit synthetischem Öl gefüllt und ist lebensdauer geschmiert. In Tabelle 1 ist die Schmiermenge und das empfohlene Schmiermittel angegeben. In Tabelle 2 sind die zulässigen Radial - und Axialbelastungen des Getriebes aufgeführt. Die komplette Dokumentation, Wartungs - und Inbetriebnahmeanleitungen finden Sie unter.

E El reductor tamaño **FA62** se suministra, lubricado de por vida con aceite sintético y no requieren mantenimiento alguna. Ver tabla 1, para cantidades y aceites recomendados. En la tabla 2, se encuentran las cargas radiales y axiales admitidas por el reductor. Para documentación completa, consultar nuestra Web.

Standard supplied	For these mounting position specify in the order or add oil Per queste posizioni specificare in fase d'ordine o aggiungere olio				
1.85 LT	1.15 LT	1.15 LT	1.30 LT	2.10 LT	1.30 LT
AGIP Telium VSF 320			SHELL Omala S4 WE 320		

For all details on lubrication and plugs check our website tab. 1
Per maggiori dettagli su lubrificazione e tappi olio vedi il nostro sito web

RADIAL AND AXIAL LOADS

Output shaft
Albero di uscita

$F_{eq} = FR \cdot \frac{149.5}{X+119.5}$

n_2	FA	FR	n_2	FA	FR	n_2	FA	FR
300	600	3000	140	720	3600	70	940	4700
250	640	3200	120	740	3700	40	1220	6100
200	690	3460	85	860	4300	15	1300	6500

On request reinforced bearings to increase loads.
A richiesta cuscinetti rinforzati per aumentare i carichi.

Input shaft
Albero in entrata

n_1	FA	FR
1400	400	2000
900	440	2200
500	440	2200

tab. 2

SELECT THIS TYPE AND THIS SPECIFIC SIZE ON THE WEB PAGES TO GET COMPLETE TECHNICAL DATA.
Selezionare tipo e gandezza specifica nel sito web per la documentazione completa.

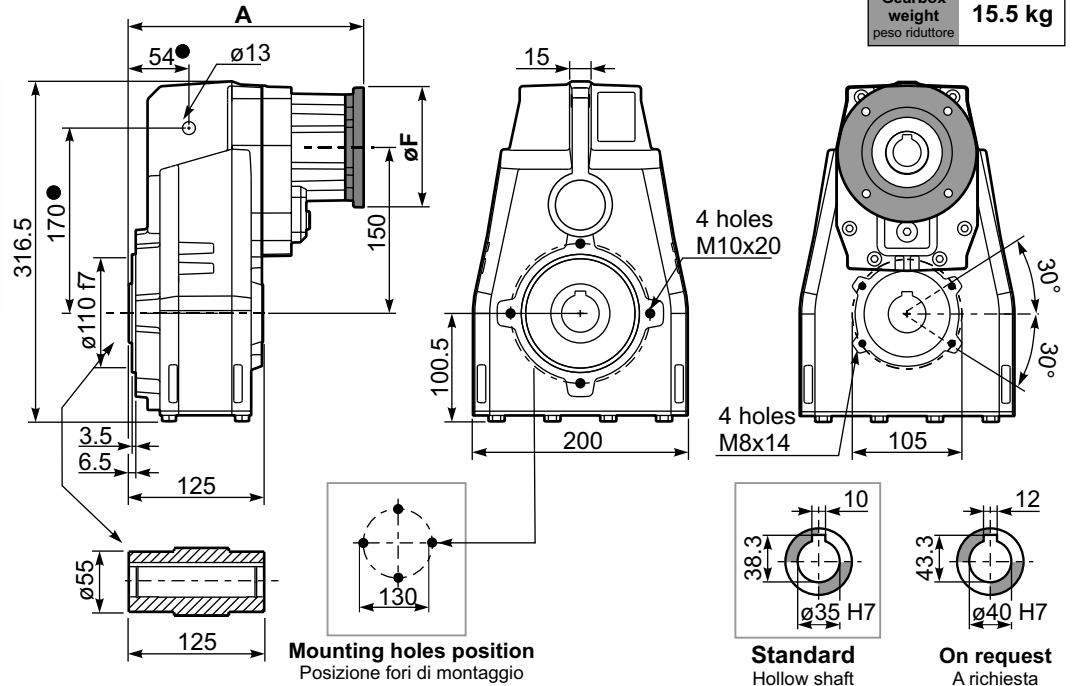
PFA62C...

Basic gearbox
Riduttore base

Gearbox weight
peso riduttore **15.5 kg**

M. flanges	Kit code	øF	A
71B5	KC023.4.041	160	227
80/90B5	KC023.4.042	200	229
100/112B5	KC023.4.043	250	235
80B14	KC085.4.046	120	227
90B14	KC085.4.045	140	227
100/112B14	KC085.4.047	160	238
132B14	KC50.4.041	200	256.5

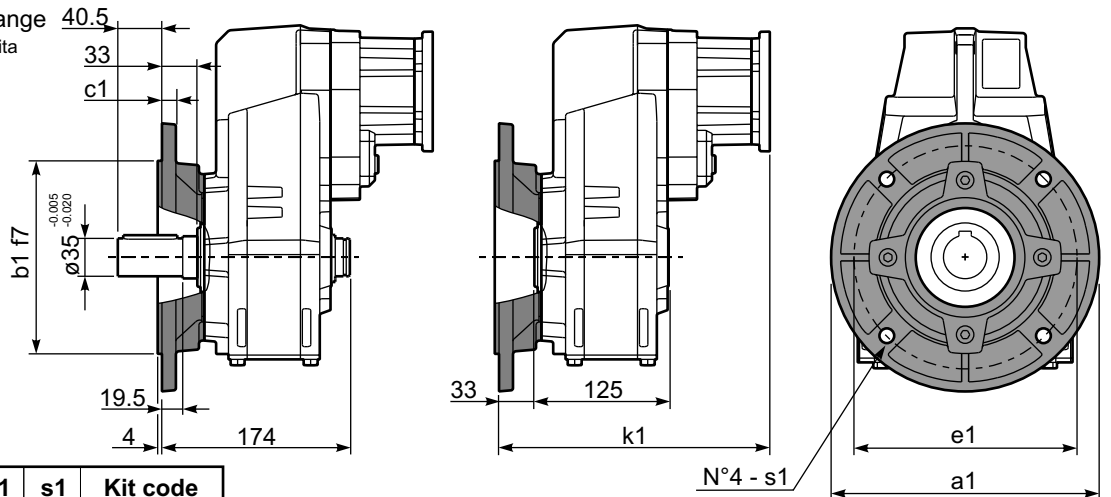
● Available torque arms,
see our web site
Bracci di reazione disponibili,
consulta il nostro sito web



PFA62...-F...

Output flange
Flangia uscita

M. flanges	k1
71B5	260
80/90B5	262
100/112B5	268
80B14	260
90B14	260
100/112B14	271
132B14	289.5

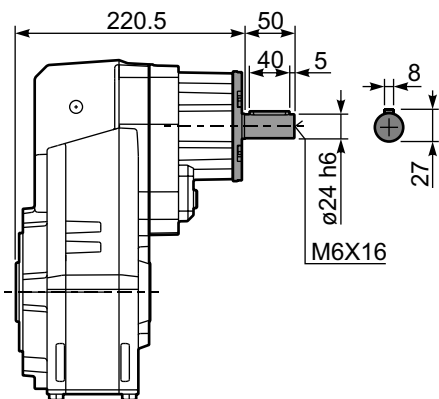


Available output flanges
Flange di uscita

a1 ø	b1	c1	e1	s1	Kit code
250	180	13	215	14	KF60.9.011
300	230	16	265	14	KF60.9.012

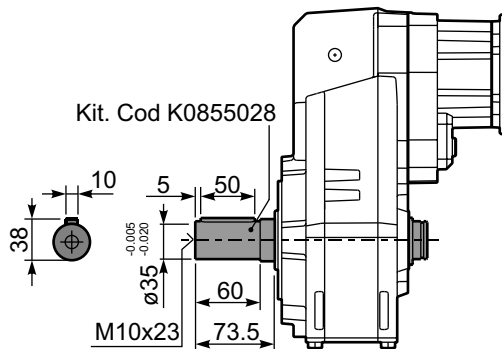
RFA62C...

Input Shaft
Albero in entrata



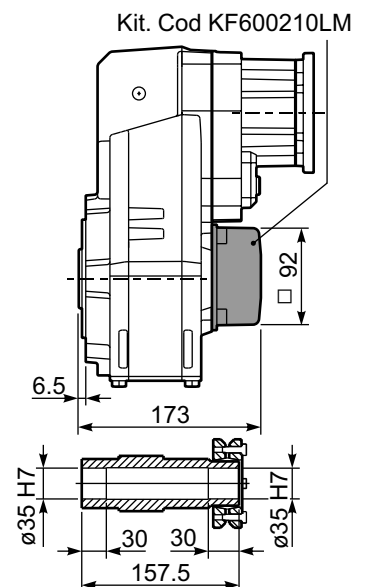
PFA62 **A**...

Single output shaft
Albero uscita semplice



PFA62 **D**...

Shrink disk
Calettatore





QUICK SELECTION / Selezione veloce

input speed (n_1) = 1400 min⁻¹

Output Speed n_2 [min ⁻¹]	Ratio i	Motor power P_{1M} [kW]	Output torque M_{2M} [Nm]	Service factor $f.s.$	Nominal power P_{1R} [kW]	Nominal torque M_{2R} [Nm]	Available B5 motor flanges				Available B14 motor flanges			Output Shaft 	Ratios code
							B	C	D	E	Q	R	T		
							63	71	80	90	71	80	90		
22.6	61.89	1.5	594	1.0	1.5	600	B				C	C		191318	01
19.7	71.16	1.5	683	0.9	1.3	600	B				C	C		191316	02
17.0	82.48	1.1	578	1.0	1.1	600	B				C	C		171316	03
14.5	96.29	1.1	675	0.9	0.97	600	B				C	C		171314	04
13.9	100.51	0.75	483	1.2	0.93	600	B				C	C		131318	05
12.1	115.56	0.75	556	1.1	0.81	600	B				C	C		131316	06
11.1	125.96	0.75	606	1.0	0.74	600	B				C	C		190816	07
10.4	134.91	0.75	649	0.9	0.69	600	B				C	C		131314	08
9.5	147.05	0.55	522	1.1	0.64	600	B				C	C		190814	09
8.2	170.44	0.55	605	1.0	0.55	600	B				C	C		170814	10
7.6	184.15	0.55	653	0.9	0.51	600	B				C	C		101314	11
6.8	205.87	0.37	488	1.2	0.45	600	B				C	C		91316	12
5.8	240.34	0.37	570	1.1	0.39	600	B				C	C		91314	13
5.0	279.22	0.37	662	0.9	0.34	600	B				C	C		100816	14
4.3	325.97	0.25	522	1.2	0.29	600	B				C	C		100814	15
3.8	364.41	0.25	583	1.0	0.26	600	B				C	C		90816	16
3.3	425.43	0.18	521	1.2	0.22	600	B				C	C		90814	17
2.9	481.19	0.18	589	1.0	0.19	600	B				C	C		70816	18
2.5	561.76	0.18	687	0.9	0.17	600	B				C	C		70814	19

The dynamic efficiency is **0.94** for all ratios

- Motor Flanges Available** Flange Motore Disponibili
- B) Supplied with Reduction Bushing** Fornito con Bussola di Riduzione
- B) Available on Request without reduction bushing** Disponibile a Richiesta senza Bussola di Riduzione
- C) Motor Flange Holes Position** Posizione Fori Flangia Motore

EN Unit **FA63** is supplied with synthetic oil for lifetime lubrication, no maintenance is necessary. See table 1 for lubrication and recommended quantity. In table 2 please see possible radial loads and axial loads on the gearbox. For complete documentation please visit our web site.

I Il riduttore **FA63** viene fornito completo di olio sintetico per la lubrificazione permanente e non necessita di alcuna manutenzione. Vedi tab.1 per oli e quantità consigliati. In tab.2 sono presenti i carichi radiali e assiali applicabili al riduttore. Per la documentazione completa consulta il nostro sito.

D Das Getriebe **FA63** ist mit synthetischem Öl gefüllt und ist lebensdauergeschmiert. In Tabelle 1 ist die Schmiermenge und das empfohlene Schmiermittel angegeben. In Tabelle 2 sind die zulässigen Radial- und Axialbelastungen des Getriebes aufgeführt. Die komplette Dokumentation, Wartungs- und Inbetriebnahmeanleitungen finden Sie unter.

E El reductor tamaño **FA63** se suministra, lubricado de por vida con aceite sintético y no requieren mantenimiento alguna. Ver tabla 1, para cantidades y aceites recomendados. En la tabla 2, se encuentran las cargas radiales y axiales admitidas por el reductor. Para documentación completa, consultar nuestra Web.

Standard supplied	For these mounting position specify in the order or add oil Per queste posizioni specificare in fase d'ordine o aggiungere olio				
H1	H4	H3	H2	H5	H6
2.15 LT	1.25 LT	1.25 LT	1.45 LT	2.35 LT	1.45 LT
AGIP Telium VSF 320			SHELL Omala S4 WE 320		

For all details on lubrication and plugs check our website **tab. 1**
Per maggiori dettagli su lubrificazione e tappi olio vedi il nostro sito web

RADIAL AND AXIAL LOADS

Output shaft
Albero di uscita

$F_{eq} = FR \cdot \frac{149.5}{X+119.5}$

n_2	FA	FR	n_2	FA	FR	n_2	FA	FR
300	600	3000	140	720	3600	70	940	4700
250	640	3200	120	740	3700	40	1220	6100
200	690	3460	85	860	4300	15	1300	6500

On request reinforced bearings to increase loads.
A richiesta cuscinetti rinforzati per aumentare i carichi.

Input shaft
Albero in entrata

n_1	FA	FR
1400	240	1200
900	280	1400
500	340	1700

tab. 2

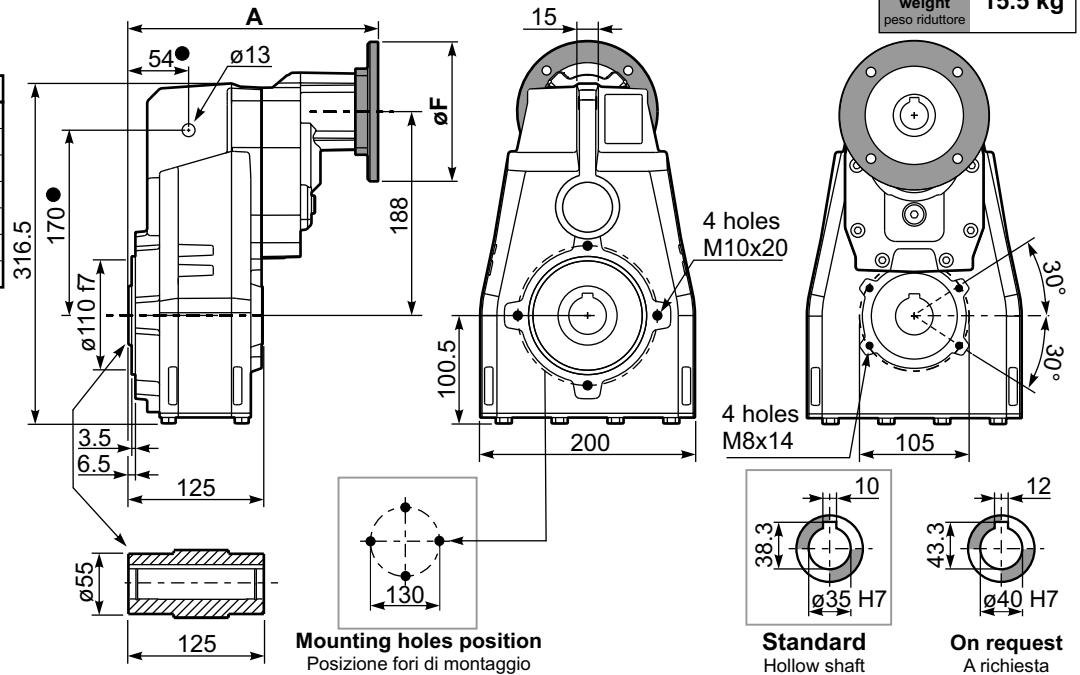
SELECT THIS TYPE AND THIS SPECIFIC SIZE ON THE WEB PAGES TO GET COMPLETE TECHNICAL DATA.
Selezionare tipo e gandezza specifica nel sito web per la documentazione completa.

PFA63C... Basic gearbox
Riduttore base

Gearbox weight **15.5 kg**
peso riduttore

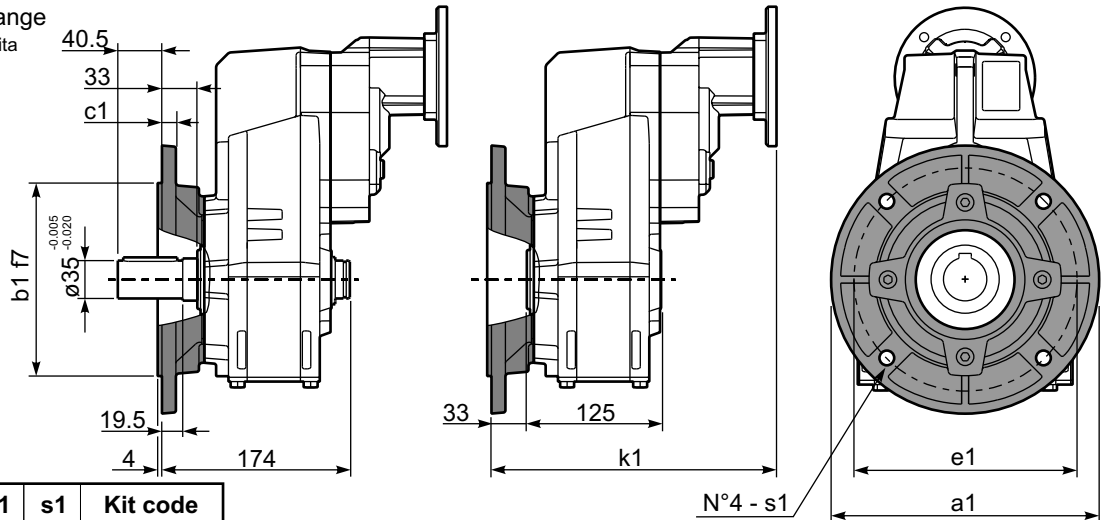
M. flanges	Kit code	øF	A
63B5	K063.4.041	140	239
71B5	K063.4.042	160	237
80/90B5	K063.4.043	200	239
71B14	K063.4.047	105	237
80B14	K063.4.046	120	238
90B14	K063.4.041	140	239

● Available torque arms, see our web site
Bracci di reazione disponibili, consulta il nostro sito web



PFA63...-F... Output flange
Flangia uscita

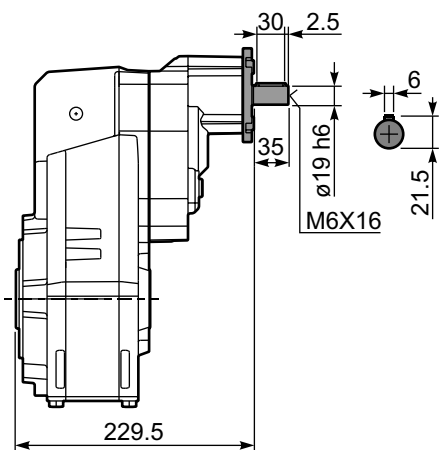
Motor Flange	k1
63B5	272
71B5	270
80/90B5	272
71B14	270
80B14	271
90B14	272



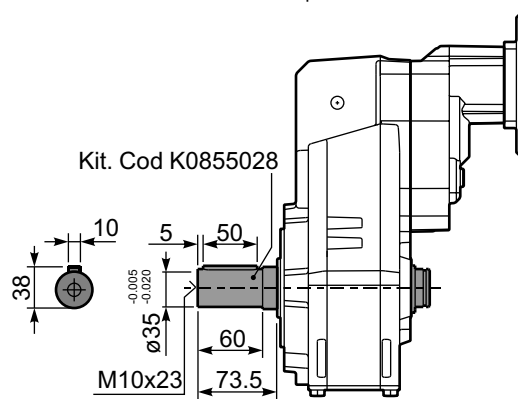
Available output flanges
Flange di uscita

a1 ø	b1	c1	e1	s1	Kit code
250	180	13	215	14	KF60.9.011
300	230	16	265	14	KF60.9.012

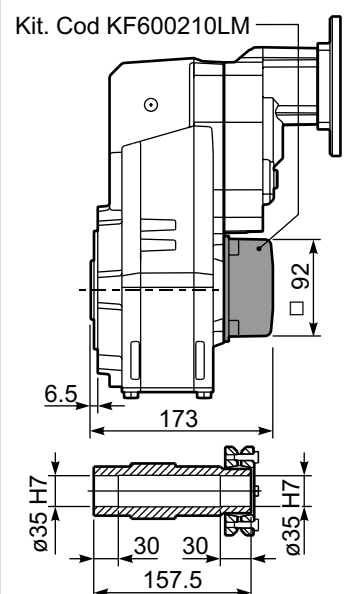
RFA63C... Input Shaft
Albero in entrata



PFA63 A... Single output shaft
Albero uscita semplice



PFA63 D... Shrink disk
Calettatore





QUICK SELECTION / Selezione veloce

input speed (n_1) = 1400 min⁻¹

Output Speed n_2 [min ⁻¹]	Ratio i	Motor power P_{1M} [kW]	Output torque M_{2M} [Nm]	Service factor f.s.	Nominal power P_{1R} [kW]	Nominal torque M_{2R} [Nm]	Available B5 motor flanges				Available B14 motor flanges				Output Shaft 	Ratios code
							C	D	E	F	R	T	U	V		
							71	80	90	100 112	80	90	100 112	132		
175	8.02	9	473	1.0	9.3	490	B								3018	01
153	9.18	9	541	1.0	9.3	560	B								3016	02
131	10.68	9	630	1.0	9.3	650	B								3014	03
93	15.11	7.5	717	1.1	7.6	755	B								2018	04
81	17.30	7.5	821	1.1	7.6	865	B								2016	05
70	20.13	7.5	955	0.9	6.8	900	B								2014	06
60	23.39	5.5	820	1.1	5.9	900	B								1616	07
52	27.21	5.5	954	0.9	5.1	900	B								1614	08
46.0	30.42	4	780	1.2	4.5	900	B								1316	09
39.6	35.38	4	907	1.0	3.9	900	B								1314	10
37.6	37.24	3	719	1.0	3.1	750	B								1116	11
32.3	43.31	3	836	1.0	3.1	870	B								1114	12
29.8	47.02	2.2	668	1.1	2.3	705	B								818	13
26.0	53.85	2.2	765	1.1	2.3	810	B								816	14
22.4	62.63	2.2	890	1.0	2.2	900	B								814	15
18.9	74.16	1.1	531	1.0	1.2	556	B								616	16
16.2	86.25	1.1	617	1.0	1.2	647	B								614	17

The dynamic efficiency is 0.96 for all ratios

- Motor Flanges Available Flange Motore Disponibili
- Supplied with Reduction Bushing Fornito con Bussola di Riduzione
- Available on Request without reduction bushing Disponibile a Richiesta senza Bussola di Riduzione
- Motor Flange Holes Position Posizione Fori Flangia Motore

EN Unit FC72 is supplied without lubricant and equipped with a breather, level and drain plugs. User can add mineral oil keeping existing plugs. Should the user wish to fill it with synthetic oil, it is recommended to replace the existing plugs with a closed plug. See table 1 for lubrication and recommended quantity. In table 2 please see possible radial loads and axial loads on the gearbox. For complete documentation please visit our web site.

I Il riduttore tipo FC72 è fornito privo di lubrificazione con tappi di sfiato, livello e scarico olio. L'utente può immettere olio minerale mantenendo i tappi esistenti. Se immetterà olio sintetico, dovrà sostituire i tappi esistenti con altri tipo chiuso. Tab.1 per oli e quantità consigliati. Tab.2 carichi radiali e assiali applicabili al riduttore. Per la documentazione completa consulta il nostro sito.

D Das Getriebe der Baugröße FC72 wird ohne Schmiermittel geliefert. Es ist jedoch mit Einfüllschraube, Überdruckventil und Ablassschraube ausgerüstet. Das benötigte mineralische Öl kann über die Einfüllschraube eingefüllt werden. Sollte synthetisches Öl bevorzugt werden, so ist sind das eingebaute Überdruckventil durch eine geschlossenen Schraube zu ersetzen. In Tabelle 1 ist die Schmiermenge und das empfohlene Schmiermittel angegeben. In Tabelle 2 sind die zulässigen Radial - und Axialbelastungen des Getriebes aufgeführt. Die komplette Dokumentation, Wartungs - und Inbetriebnahmeanleitungen finden Sie unter.

E El reductor tamaño FC72 se suministra sin lubricante, provisto de tapones de respiración, nivel y descarga de aceite. El usuario puede utilizar aceite mineral, manteniendo los tapones existentes. Si prefiere utilizar aceite sintético deberá sustituir los tapones existentes por tapones ciegos, lubricado de por vida con aceite sintético. Ver tabla 1, para cantidades y aceites recomendados. En la tabla 2, se encuentran las cargas radiales y axiales admitidas por el reductor. Para documentación completa, consultar nuestra Web.

H1	H4	H3	H2	H5	H6
3.50 LT	1.90 LT	1.90 LT	1.80 LT	3.60 LT	1.90 LT

AGIP Blasias 460

For all details on lubrication and plugs check our website **tab. 1**
Per maggiori dettagli su lubrificazione e tappi olio vedi il nostro sito web

RADIAL AND AXIAL LOADS

Output shaft
Albero di uscita

$F_{eq} = F_R \cdot \frac{174.5}{X+134.5}$

n_2	FA	FR	n_2	FA	FR	n_2	FA	FR
300	740	3700	140	860	4300	70	1020	5100
250	800	4000	120	900	4500	40	1300	6500
200	830	4150	85	970	4850	15	1700	8500

On request reinforced bearings to increase loads.
A richiesta cuscinetti rinforzati per aumentare i carichi.

Input shaft
Albero in entrata

n_1	FA	FR
1400	450	2250
900	500	2500
500	600	3000

tab. 2

SELECT THIS TYPE AND THIS SPECIFIC SIZE ON THE WEB PAGES TO GET COMPLETE TECHNICAL DATA.
Selezionare tipo e gandezza specifica nel sito web per la documentazione completa.

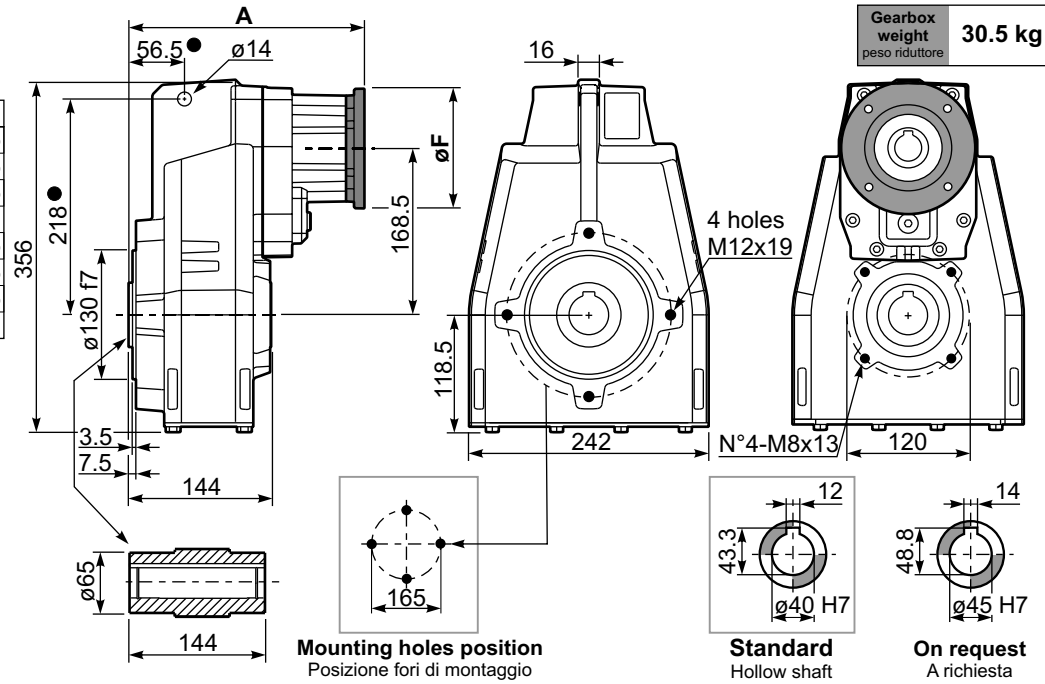
PFC72C...

Basic gearbox
Riduttore base

Gearbox weight
peso riduttore **30.5 kg**

M. flanges	Kit code	øF	A
71B5	KC023.4.041	160	238.5
80/90B5	KC023.4.042	200	240.5
100/112B5	KC023.4.043	250	246.5
80B14	KC085.4.046	120	238.5
90B14	KC085.4.045	140	238.5
100/112B14	KC085.4.047	160	249.5
132B14	KC50.4.041	200	268

● Available torque arms,
see our web site
Bracci di reazione disponibili,
consulta il nostro sito web



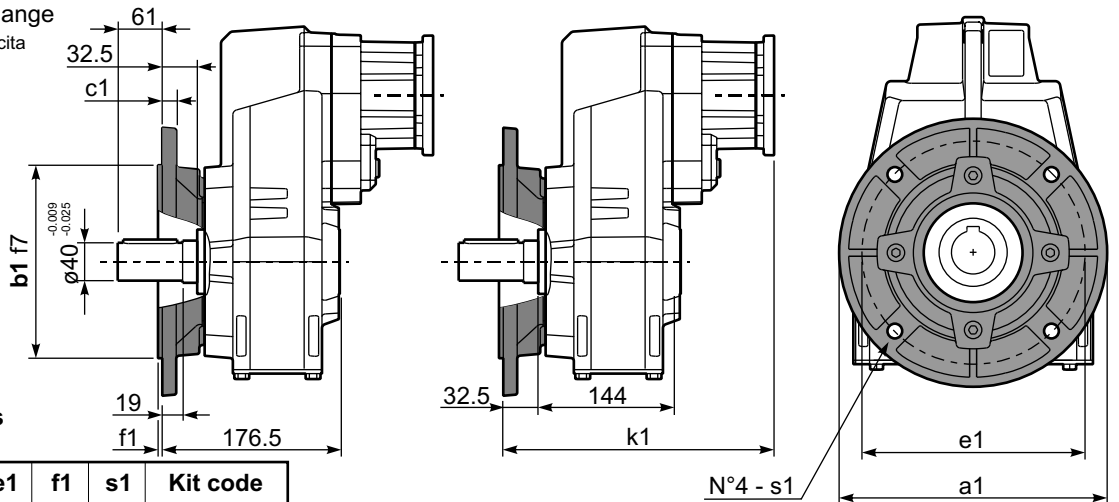
PFC72...-F...

Output flange
Flangia uscita

M. flanges	k1
71B5	271
80/90B5	273
100/112B5	279
80B14	271
90B14	271
100/112B14	282
132B14	300.5

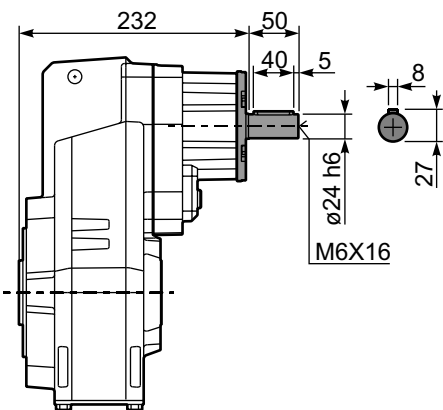
Available output flanges
Flange di uscita

a1 ø	b1	c1	e1	f1	s1	Kit code
250	180	13	215	3	14	KF70.9.011
300	230	16	265	4	14	KF70.9.012
350	250	18	300	4	18	KF70.9.013



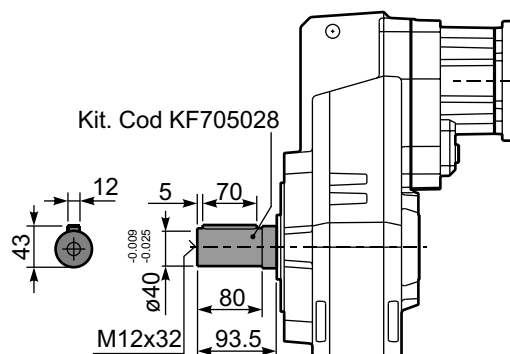
RFC72C...

Input Shaft
Albero in entrata



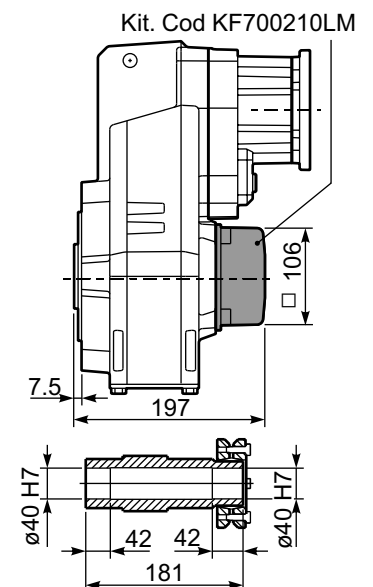
PFC72 A...

Single output shaft
Albero uscita semplice



PFC72D...

Shrink disk
Calettatore





QUICK SELECTION / Selezione veloce

input speed (n_1) = 1400 min⁻¹

Output Speed n_2 [min ⁻¹]	Ratio i	Motor power P_{1M} [kW]	Output torque M_{2M} [Nm]	Service factor f.s.	Nominal power P_{1R} [kW]	Nominal torque M_{2R} [Nm]	Available B5 motor flanges				Available B14 motor flanges			Output Shaft 	Ratios code
							B	C	D	E	Q	R	T		
							63	71	80	90	71	80	90		
18.5	75.50	1.5	725	1.1	1.7	825	B				C	C		191318	01
16.2	86.47	1.5	830	1.1	1.6	900	B				C	C		191316	02
14.0	100.22	1.5	962	0.9	1.4	900	B				C	C		171316	03
12.0	116.56	1.1	817	1.1	1.2	900	B				C	C		171314	04
10.2	136.82	1.1	959	0.9	1.0	900	B				C	C		151314	05
9.1	153.05	0.75	736	1.1	0.83	810	B				C	C		190816	06
8.6	163.31	0.75	786	1.1	0.86	900	B				C	C		131314	07
7.9	178.01	0.75	856	1.1	0.79	900	B				C	C		190814	08
7.3	191.67	0.75	922	1.0	0.73	900	B				C	C		101316	09
6.8	206.32	0.75	992	0.9	0.68	900	B				C	C		170814	10
6.3	222.92	0.55	791	1.1	0.63	900	B				C	C		101314	11
5.8	242.18	0.55	859	1.0	0.58	900	B				C	C		150814	12
5.6	250.15	0.55	888	1.0	0.56	900	B				C	C		91316	13
4.8	289.08	0.55	1026	0.9	0.49	900	B				C	C		130814	14
4.2	330.31	0.37	783	1.1	0.41	860	B				C	C		71316	15
3.5	394.59	0.37	936	1.0	0.36	900	B				C	C		100814	16
2.7	514.99	0.25	824	1.1	0.27	900	B				C	C		90814	17
2.1	680.03	0.18	832	1.1	0.21	900	B				C	C		70814	18

The dynamic efficiency is **0.94** for all ratios

Motor Flanges Available
Flange Motore Disponibili

B) Supplied with Reduction Bushing
Fornito con Bussola di Riduzione

Available on Request without reduction bushing
Disponibile a Richiesta senza Bussola di Riduzione

C) Motor Flange Holes Position
Posizione Fori Flangia Motore

EN Unit FC73 is supplied without lubricant and equipped with a breather, level and drain plugs. User can add mineral oil keeping existing plugs. Should the user wish to fill it with synthetic oil, it is recommended to replace the existing plugs with a closed plug. See table 1 for lubrication and recommended quantity. In table 2 please see possible radial loads and axial loads on the gearbox. For complete documentation please visit our web site.

I Il riduttore tipo FC73 è fornito privo di lubrificazione con tappi di sfiato, livello e scarico olio. L'utente può immettere olio minerale mantenendo i tappi esistenti. Se immetterà olio sintetico, dovrà sostituire i tappi esistenti con altri tipo chiuso. Tab.1 per oli e quantità consigliati. Tab.2 carichi radiali e assiali applicabili al riduttore. Per la documentazione completa consulta il nostro sito.

D Das Getriebe der Baugröße FC73 wird ohne Schmiermittel geliefert. Es ist jedoch mit Einfüllschraube, Überdruckventil und Ablassschraube ausgerüstet. Das benötigte mineralische Öl kann über die Einfüllschraube eingefüllt werden. Sollte synthetisches Öl bevorzugt werden, so ist sind das eingebaute Überdruckventil durch eine geschlossenen Schraube zu ersetzen. In Tabelle 1 ist die Schmiermenge und das empfohlene Schmiermittel angegeben. In Tabelle 2 sind die zulässigen Radial - und Axialbelastungen des Getriebes aufgeführt. Die komplette Dokumentation, Wartungs - und Inbetriebnahmeanleitungen finden Sie unter.

E El reductor tamaño FC73 se suministra sin lubricante, provisto de tapones de respiración, nivel y descarga de aceite. El usuario puede utilizar aceite mineral, manteniendo los tapones existentes. Si prefiere utilizar aceite sintético deberá sustituir los tapones existentes por tapones ciegos. La prerreducción se suministra con tapones ciegos, lubricado de por vida con aceite sintético. Ver tabla 1, para cantidades y aceites recomendados. En la tabla 2, se encuentran las cargas radiales y axiales admitidas por el reductor. Para documentación completa, consultar nuestra Web.

H1	H4	H3	H2	H5	H6
3.55 LT	1.95 LT	1.95 LT	1.95 LT	3.75 LT	2.00 LT

AGIP Blasias 460

For all details on lubrication and plugs check our website **tab. 1**
Per maggiori dettagli su lubrificazione e tappi olio vedi il nostro sito web

RADIAL AND AXIAL LOADS

Output shaft
Albero di uscita

$F_{eq} = F_R \cdot \frac{174.5}{X+134.5}$

n_2	FA	FR	n_2	FA	FR	n_2	FA	FR
300	740	3700	140	860	4300	70	1020	5100
250	800	4000	120	900	4500	40	1300	6500
200	830	4150	85	970	4850	15	1700	8500

On request reinforced bearings to increase loads.
A richiesta cuscinetti rinforzati per aumentare i carichi.

Input shaft
Albero in entrata

n_1	FA	FR
1400	400	2000
900	440	2200
500	440	2200

tab. 2

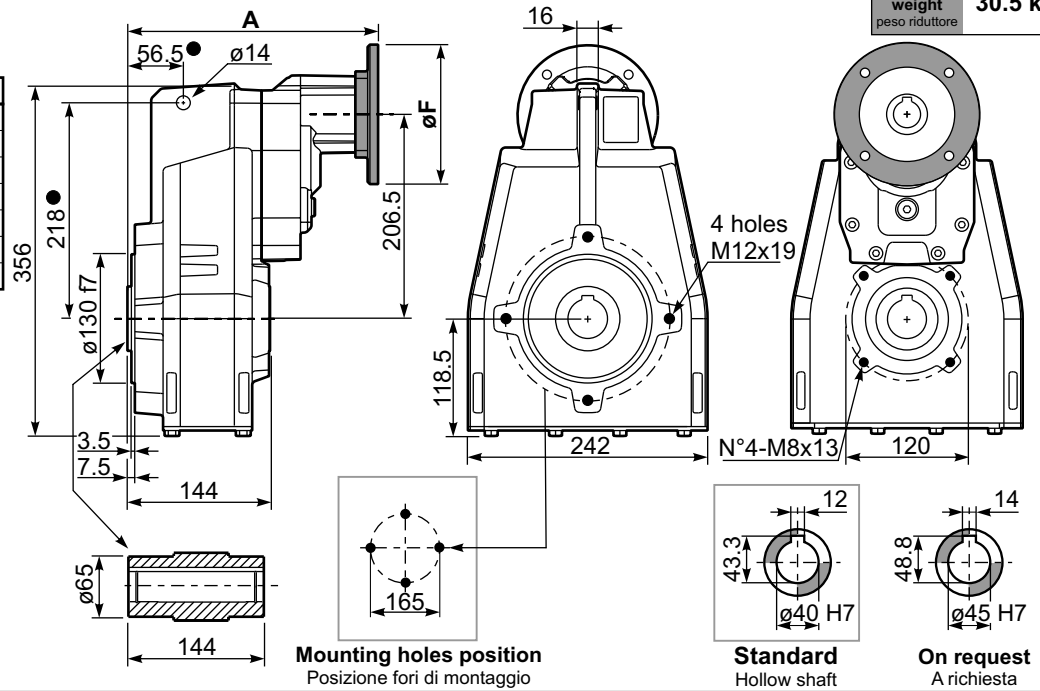
SELECT THIS TYPE AND THIS SPECIFIC SIZE ON THE WEB PAGES TO GET COMPLETE TECHNICAL DATA.
Selezionare tipo e gandezza specifica nel sito web per la documentazione completa.

PFC73C... Basic gearbox
Riduttore base

Gearbox weight
peso riduttore **30.5 kg**

M. flanges	Kit code	øF	A
63B5	K063.4.041	140	250.5
71B5	K063.4.042	160	248.5
80/90B5	K063.4.043	200	250.5
71B14	K063.4.047	105	248.5
80B14	K063.4.046	120	249.5
90B14	K063.4.041	140	250.5

● Available torque arms,
see our web site
Bracci di reazione disponibili,
consulta il nostro sito web

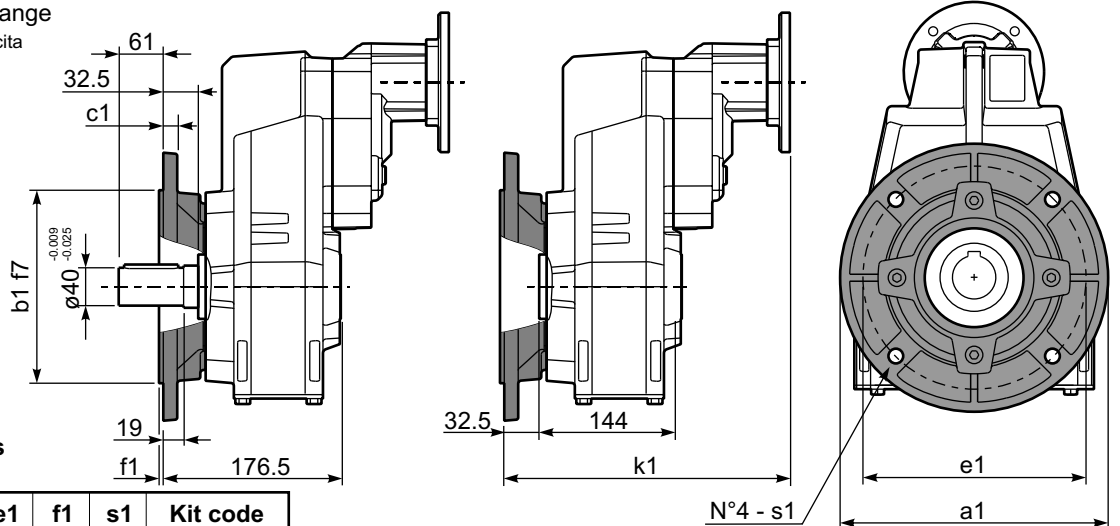


PFC73...-F... Output flange
Flangia uscita

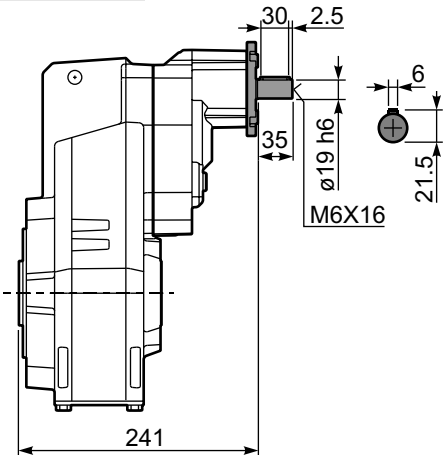
M. flanges	k1
63B5	283
71B5	281
80/90B5	283
71B14	281
80B14	282
90B14	283

Available output flanges
Flange di uscita

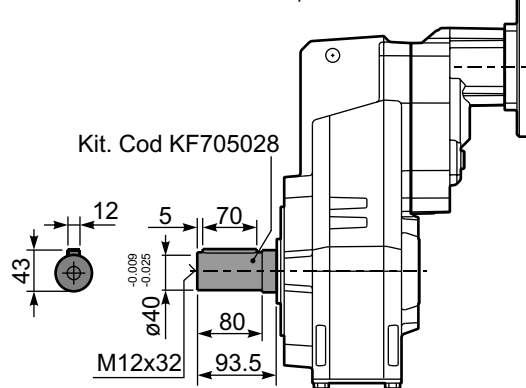
a1 ø	b1	c1	e1	f1	s1	Kit code
250	180	13	215	3	14	KF70.9.011
300	230	16	265	4	14	KF70.9.012
350	250	18	300	4	18	KF70.9.013



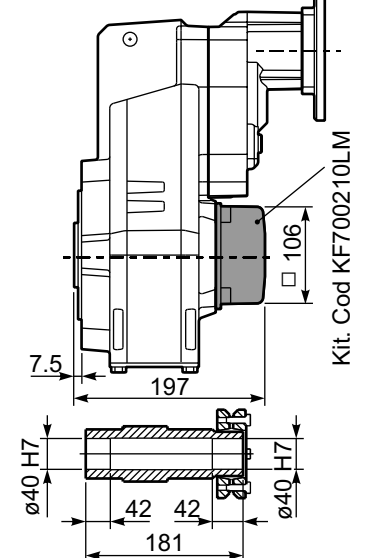
RFC73C... Input Shaft
Albero in entrata



PFC73 A... Single output shaft
Albero uscita semplice



PFC73D... Shrink disk
Calettatore





QUICK SELECTION / Selezione veloce

input speed (n_1) = 1400 min⁻¹

Output Speed n_2 [min ⁻¹]	Ratio i	Motor power P_{1M} [kW]	Output torque M_{2M} [Nm]	Service factor f.s.	Nominal power P_{1R} [kW]	Nominal torque M_{2R} [Nm]	Available B5 motor flanges		B14 motor flanges				Output Shaft		
							H	I	-	-	-	-			Ratios code
							160	180	-	-	-	-			
528	2.65	22	374	1.5	31	550			not available				2361	standard	01
409	3.42	22	483	1.2	25	570							1965	ø50	02
304	4.60	22	649	1.0	21.5	660							1569		03
256	5.46	22	771	1.0	20.5	750							1371	ø55	04
211	6.64	22	937	1.0	20.3	900							1173	On request	05

The dynamic efficiency is **0.98** for all ratios

Motor Flanges Available
Flange Motore Disponibili

B) Supplied with Reduction Bushing
Fornito con Bussola di Riduzione

B) Available on Request without reduction bushing
Disponibile a Richiesta senza Bussola di Riduzione

C) Motor Flange Holes Position
Posizione Fori Flangia Motore

EN Unit **FC81** is supplied without lubricant and equipped with a breather, level and drain plugs. User can add mineral oil keeping existing plugs. Should the user wish to fill it with synthetic oil, it is recommended to replace the existing plugs with a closed plug.

See table 1 for lubrication and recommended quantity. In table 2 please see possible radial loads and axial loads on the gearbox.

[For complete documentation please visit our web site.](#)

I Il riduttore tipo **FC81** è fornito privo di lubrificazione con tappi di sfiato, livello e scarico olio. L'utente può immettere olio minerale mantenendo i tappi esistenti. Se immetterà olio sintetico, dovrà sostituire i tappi esistenti con altri tipo chiuso.

Tab.1 per oli e quantità consigliati.

Tab.2 carichi radiali e assiali applicabili al riduttore.

[Per la documentazione completa consulta il nostro sito.](#)

D Das Getriebe der Baugröße **FC81** wird ohne Schmiermittel geliefert. Es ist jedoch mit Einfüllschraube, Überdruckventil und Ablassschraube ausgerüstet. Das benötigte mineralische Öl kann über die Einfüllschraube eingefüllt werden. Sollte synthetisches Öl bevorzugt werden, so ist sind das eingebaute Überdruckventil durch eine geschlossenen Schraube zu ersetzen.

In Tabelle 1 ist die Schmiermenge und das empfohlene Schmiermittel angegeben

In Tabelle 2 sind die zulässigen Radial - und Axialbelastungen des Getriebes aufgeführt.

[Die komplette Dokumentation, Wartungs - und Inbetriebnahmeanleitungen finden Sie unter.](#)

E El reductor tamaño **FC81** se suministra sin lubricante, provisto de tapones de respiración, nivel y descarga de aceite. El usuario puede utilizar aceite mineral, manteniendo los tapones existentes. Si prefiere utilizar aceite sintético deberá sustituir los tapones existentes por tapones ciegos. La prerreducción se suministra con tapones ciegos, lubricado de por vida con aceite sintético. Ver tabla 1, para cantidades y aceites recomendados.

En la tabla 2, se encuentran las cargas radiales y axiales admitidas por el reductor.

[Para documentación completa, consultar nuestra Web.](#)

H1	H4	H3	H2	H5	H6
5.50 LT	3.50 LT	3.50 LT	3.50 LT	6.20 LT	4.40 LT

AGIP Blasias 460

For all details on lubrication and plugs check our website

Per maggiori dettagli su lubrificazione e tappi olio vedi il nostro sito web

tab. 1

RADIAL AND AXIAL LOADS

Output shaft
Albero di uscita

$F_{eq} = FR \cdot \frac{227.5}{X+177.5}$

F_R (N)
 F_A (N)

F_{eq} (N)

n_2	FA	FR	n_2	FA	FR	n_2	FA	FR
300	920	4600	140	1120	5600	70	1400	7000
250	1000	5000	120	1140	5700	40	1800	9000
200	1060	5300	85	1300	6500	15	2400	12000

On request reinforced bearings to increase loads.
A richiesta cuscinetti rinforzati per aumentare i carichi.

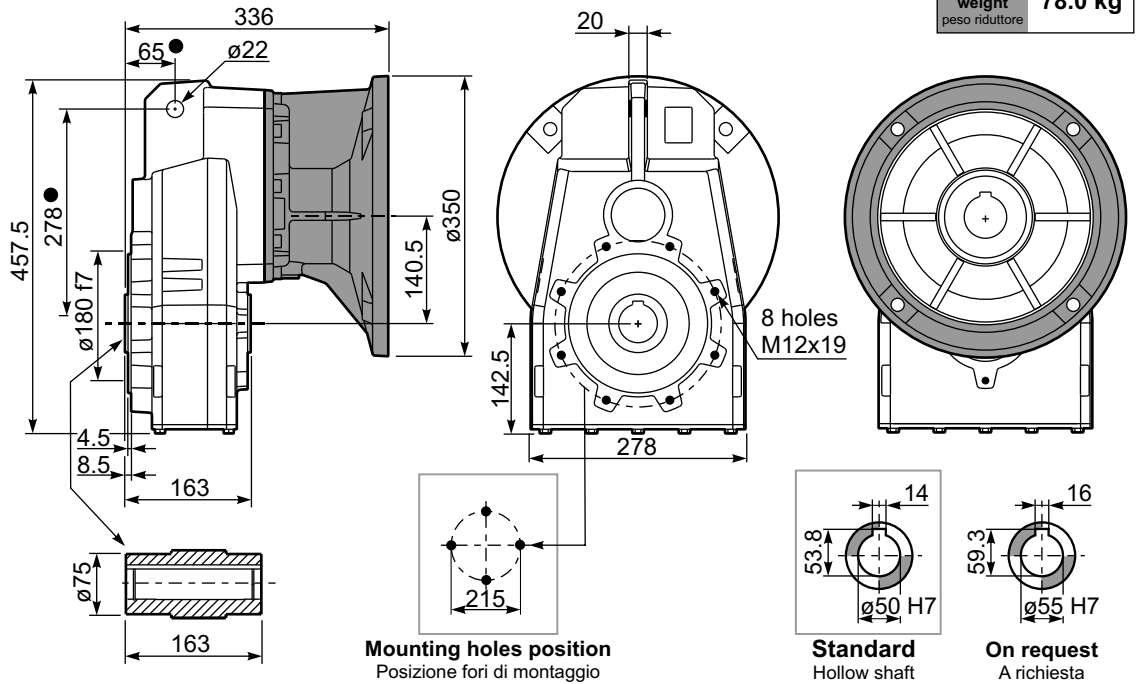
tab. 2

▪ **SELECT THIS TYPE AND THIS SPECIFIC SIZE ON THE WEB PAGES TO GET COMPLETE TECHNICAL DATA.**
Selezionare tipo e gandezza specifica nel sito web per la documentazione completa.

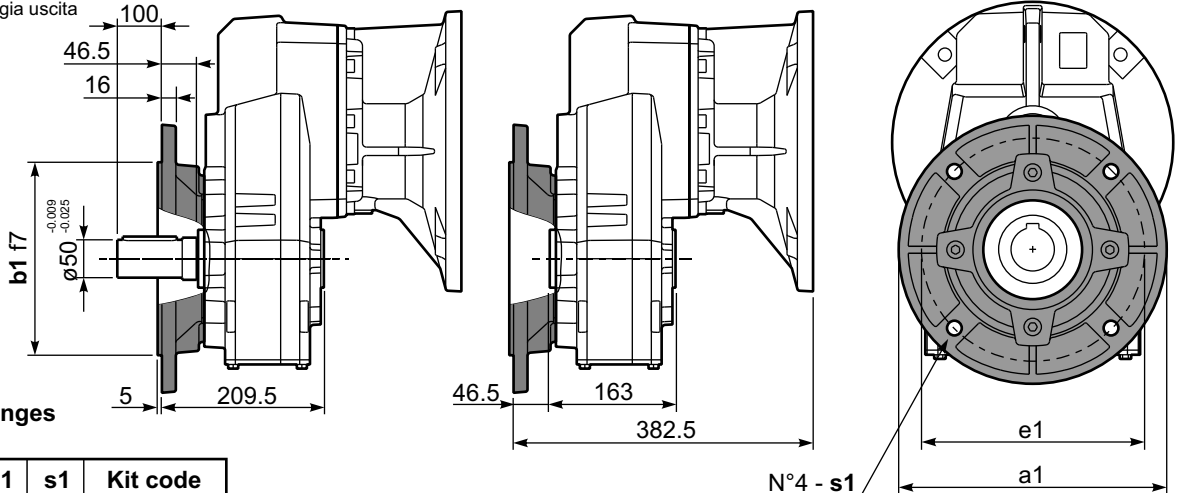
PFC81C... Basic gearbox
Riduttore base

Gearbox weight
peso riduttore **78.0 kg**

- Available torque arms, see our web site
Bracci di reazione disponibili, consulta il nostro sito web



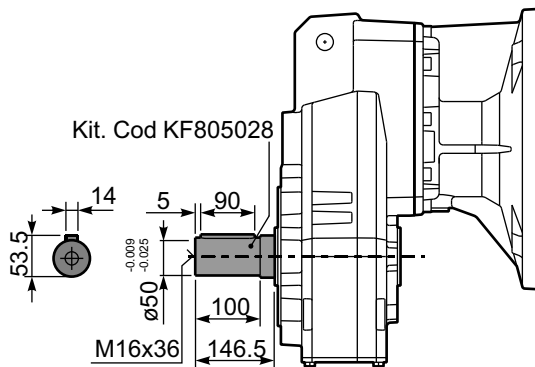
PFC81...-F... Output flange
Flangia uscita



Available output flanges
Flange di uscita

a1 ø	b1	e1	s1	Kit code
300	230	265	14	KF80.9.011
350	250	300	18	KF80.9.012
400	300	350	18	KF80.9.013

PFC81A... Single output shaft
Albero uscita semplice





QUICK SELECTION / Selezione veloce

input speed (n_1) = 1400 min⁻¹

Output Speed n_2 [min ⁻¹]	Ratio i	Motor power P_{1M} [kW]	Output torque M_{2M} [Nm]	Service factor f.s.	Nominal power P_{1R} [kW]	Nominal torque M_{2R} [Nm]	Available B5 motor flanges			B14 motor flanges				Output Shaft 	Ratios code
							G	H	I	-	-	-	-		
							132	160	180	-	-	-	-		
234	5.98	22	827	1.1	23.0	900								3015	01
197	7.10	22	982	1.0	21.0	975								3013	02
162	8.63	18.5	1003	1.1	19.5	1100								3011	03
124	11.27	18.5	1310	1.0	18.0	1330								2015	04
105	13.38	15	1259	1.1	16.2	1420								2013	05
92	15.24	15	1434	1.0	15.0	1500								1615	06
86	16.26	15	1530	1.0	14.5	1545								2011	07
77	18.09	11	1251	1.2	13.0	1545								1613	08
71	19.82	11	1370	1.2	12.3	1600								1315	09
64	21.98	11	1520	1.1	11.5	1650								1611	10
60	23.53	11	1627	1.0	10.7	1650								1313	11
58	24.25	9	1430	1.2	10.4	1650								1115	12
48.6	28.80	9	1698	1.0	9.0	1700								1113	13
40.0	34.99	7.5	1660	1.0	7.4	1700								1111	14
33.6	41.64	7.5	1976	0.9	6.2	1700								813	15
27.7	50.60	5.5	1774	1.0	5.1	1700								811	16

The dynamic efficiency is **0.96** for all ratios

Motor Flanges Available
Flange Motore Disponibili

B) Supplied with Reduction Bushing
Fornito con Bussola di Riduzione

B) Available on Request without reduction bushing
Disponibile a Richiesta senza Bussola di Riduzione

C) Motor Flange Holes Position
Posizione Fori Flangia Motore

EN Unit FC82 is supplied without lubricant and equipped with a breather, level and drain plugs. User can add mineral oil keeping existing plugs. Should the user wish to fill it with synthetic oil, it is recommended to replace the existing plugs with a closed plug.

See table 1 for lubrication and recommended quantity. In table 2 please see possible radial loads and axial loads on the gearbox.

For complete documentation please visit our web site.

I Il riduttore tipo FC82 è fornito privo di lubrificazione con tappi di sfiato, livello e scarico olio. L'utente può immettere olio minerale mantenendo i tappi esistenti. Se immetterà olio sintetico, dovrà sostituire i tappi esistenti con altri tipo chiuso.

Tab.1 per oli e quantità consigliati.

Tab.2 carichi radiali e assiali applicabili al riduttore.

Per la documentazione completa consulta il nostro sito.

D Das Getriebe der Baugröße FC82 wird ohne Schmiermittel geliefert. Es ist jedoch mit Einfüllschraube, Überdruckventil und Ablassschraube ausgerüstet. Das benötigte mineralische Öl kann über die Einfüllschraube eingefüllt werden. Sollte synthetisches Öl bevorzugt werden, so ist sind das eingebaute Überdruckventil durch eine geschlossenen Schraube zu ersetzen.

In Tabelle 1 ist die Schmiermenge und das empfohlene Schmiermittel angegeben

In Tabelle 2 sind die zulässigen Radial - und Axialbelastungen des Getriebes aufgeführt.

Die komplette Dokumentation, Wartungs - und Inbetriebnahmeanleitungen finden Sie unter.

E El reductor tamaño FC82 se suministra sin lubricante, provisto de tapones de respiración, nivel y descarga de aceite. El usuario puede utilizar aceite mineral, manteniendo los tapones existentes. Si prefiere utilizar aceite sintético deberá sustituir los tapones existentes por tapones ciegos. La prerreducción se suministra con tapones ciegos, lubricado de por vida con aceite sintético. Ver tabla 1, para cantidades y aceites recomendados.

En la tabla 2, se encuentran las cargas radiales y axiales admitidas por el reductor.

Para documentación completa, consultar nuestra Web.

H1	H4	H3	H2	H5	H6
5.70 LT	3.60 LT	3.60 LT	3.60 LT	6.60 LT	4.50 LT

AGIP Blasias 460

For all details on lubrication and plugs check our website

tab. 1

Per maggiori dettagli su lubrificazione e tappi olio vedi il nostro sito web

RADIAL AND AXIAL LOADS

Output shaft

Albero di uscita



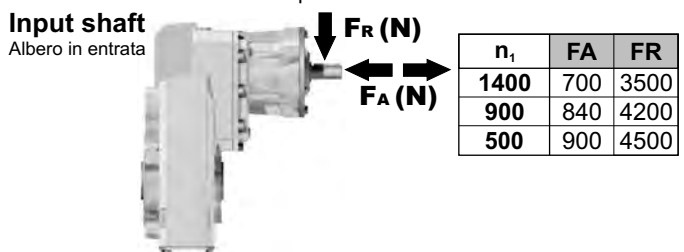
n_2	FA	FR	n_2	FA	FR	n_2	FA	FR
300	920	4600	140	1120	5600	70	1400	7000
250	1000	5000	120	1140	5700	40	1800	9000
200	1060	5300	85	1300	6500	15	2400	12000

On request reinforced bearings to increase loads.

A richiesta cuscinetti rinforzati per aumentare i carichi.

Input shaft

Albero in entrata



n_1	FA	FR
1400	700	3500
900	840	4200
500	900	4500

tab. 2

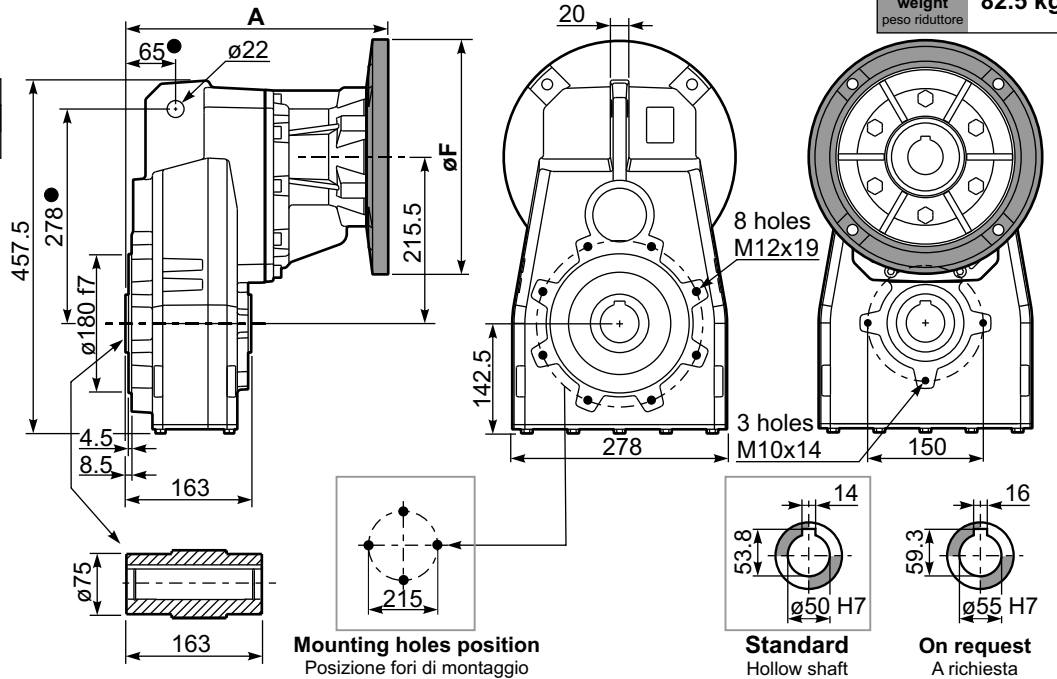
SELECT THIS TYPE AND THIS SPECIFIC SIZE ON THE WEB PAGES TO GET COMPLETE TECHNICAL DATA.
Selezionare tipo e gandezza specifica nel sito web per la documentazione completa.

PFC82C... Basic gearbox
Riduttore base

Gearbox weight **82.5 kg**
peso riduttore

M. flanges	Kit code	øF	A
132B5	KC90.4.042	300	341.5
160/180B5	KC90.4.043	350	352.5

● Available torque arms, see our web site
Bracci di reazione disponibili, consulta il nostro sito web

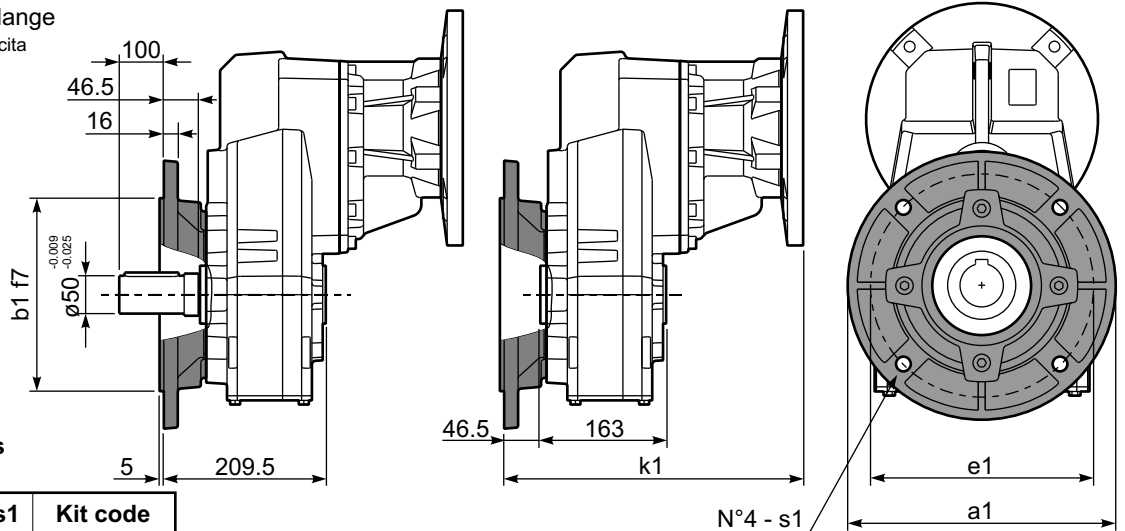


PFC82...-F... Output flange
Flangia uscita

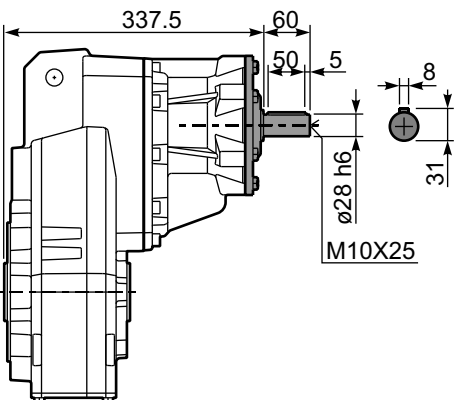
M. flanges	k1
132B5	388
160/180B5	399

Available output flanges
Flange di uscita

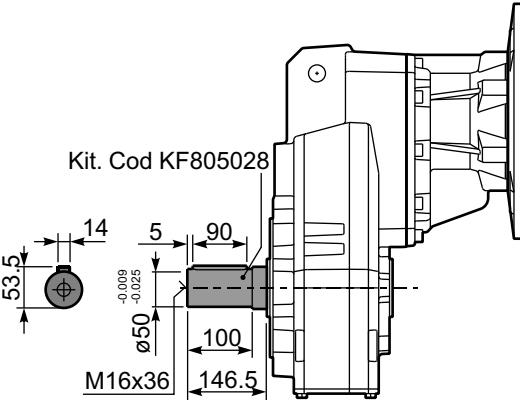
a1 ø	b1	e1	s1	Kit code
300	230	265	14	KF80.9.011
350	250	300	18	KF80.9.012
400	300	350	18	KF80.9.013



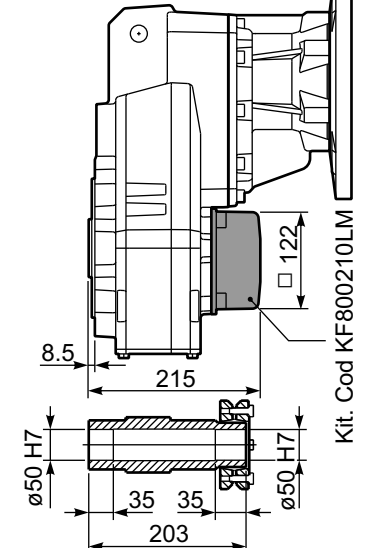
RFC82C... Input Shaft
Albero in entrata



PFC82 A... Single output shaft
Albero uscita semplice



PFC82 D... Shrink disk
Calettatore





QUICK SELECTION / Selezione veloce

input speed (n_1) = 1400 min⁻¹

Output Speed n_2 [min ⁻¹]	Ratio i	Motor power P_{1M} [kW]	Output torque M_{2M} [Nm]	Service factor f.s.	Nominal power P_{1R} [kW]	Nominal torque M_{2R} [Nm]	Available B5 motor flanges				Available B14 motor flanges				Output Shaft 	Ratios code
							C	D	E	F	R	T	U	V		
							71	80	90	100 112	80	90	100 112	132		
28.8	48.55	5.5	1668	1.0	5.6	1750	B								201315	01
24.3	57.64	4	1449	1.2	4.9	1800	B								201313	02
21.3	65.64	4	1650	1.1	4.2	1750	B								161315	03
20.0	70.04	4	1760	1.0	4.0	1800	B								201311	04
18.0	77.93	3	1474	1.2	3.6	1800	B								161313	05
16.4	85.36	3	1615	1.1	3.2	1750	B								131315	06
14.8	94.70	3	1792	1.0	3.0	1800	B								161311	07
13.8	101.35	3	1917	0.9	2.8	1800	B								131313	08
11.4	123.15	2.2	1715	1.0	2.3	1800	B								131311	09
9.3	150.73	1.5	1447	1.2	1.9	1800	B								111311	10
7.8	179.39	1.5	1722	1.0	1.6	1800	B								81313	11
6.4	217.98	1.1	1528	1.2	1.3	1800	B								81311	12
5.7	247.03	1.1	1732	1.0	1.1	1800	B								61313	13
4.7	300.17	1.1	2105	0.9	0.94	1800	B								61311	14

The dynamic efficiency is **0.94** for all ratios

- Motor Flanges Available
Flange Motore Disponibili
- B) Supplied with Reduction Bushing
Fornito con Bussola di Riduzione
- B) Available on Request without reduction bushing
Disponibile a Richiesta senza Bussola di Riduzione
- C) Motor Flange Holes Position
Posizione Fori Flangia Motore

EN Unit **FC83** is supplied without lubricant and equipped with a breather, level and drain plugs. User can add mineral oil keeping existing plugs. Should the user wish to fill it with synthetic oil, it is recommended to replace the existing plugs with a closed plug.
See table 1 for lubrication and recommended quantity. In table 2 please see possible radial loads and axial loads on the gearbox.
For complete documentation please visit our web site.

I Il riduttore tipo **FC83** è fornito privo di lubrificazione con tappi di sfiato, livello e scarico olio. L'utente può immettere olio minerale mantenendo i tappi esistenti. Se immetterà olio sintetico, dovrà sostituire i tappi esistenti con altri tipo chiuso.
Tab.1 per oli e quantità consigliati.
Tab.2 carichi radiali e assiali applicabili al riduttore.
Per la documentazione completa consulta il nostro sito.

D Das Getriebe der Baugröße **FC83** wird ohne Schmiermittel geliefert. Es ist jedoch mit Einfüllschraube, Überdruckventil und Ablassschraube ausgerüstet. Das benötigte mineralische Öl kann über die Einfüllschraube eingefüllt werden. Sollte synthetisches Öl bevorzugt werden, so ist sind das eingebaute Überdruckventil durch eine geschlossenen Schraube zu ersetzen.
In Tabelle 1 ist die Schmiermenge und das empfohlene Schmiermittel angegeben
In Tabelle 2 sind die zulässigen Radial - und Axialbelastungen des Getriebes aufgeführt.
Die komplette Dokumentation, Wartungs - und Inbetriebnahmeanleitungen finden Sie unter.

E El reductor tamaño **FC83** se suministra sin lubricante, provisto de tapones de respiración, nivel y descarga de aceite. El usuario puede utilizar aceite mineral, manteniendo los tapones existentes. Si prefiere utilizar aceite sintético deberá sustituir los tapones existentes por tapones ciegos. La prerreducción se suministra con tapones ciegos, lubricado de por vida con aceite sintético. Ver tabla 1, para cantidades y aceites recomendados. En la tabla 2, se encuentran las cargas radiales y axiales admitidas por el reductor.
Para documentación completa, consultar nuestra Web.

5.80 LT	3.90 LT	3.90 LT	3.90 LT	6.80 LT	4.90 LT
AGIP Blasias 460					

For all details on lubrication and plugs check our website **tab. 1**
Per maggiori dettagli su lubrificazione e tappi olio vedi il nostro sito web

RADIAL AND AXIAL LOADS

Output shaft
Albero di uscita

$F_{eq} = FR \cdot \frac{227.5}{X+177.5}$

Input shaft
Albero in entrata

n_2	FA	FR	n_2	FA	FR	n_2	FA	FR
300	920	4600	140	1120	5600	70	1400	7000
250	1000	5000	120	1140	5700	40	1800	9000
200	1060	5300	85	1300	6500	15	2400	12000

On request reinforced bearings to increase loads.
A richiesta cuscinetti rinforzati per aumentare i carichi.

n_1	FA	FR
1400	450	2250
900	500	2500
500	600	3000

tab. 2

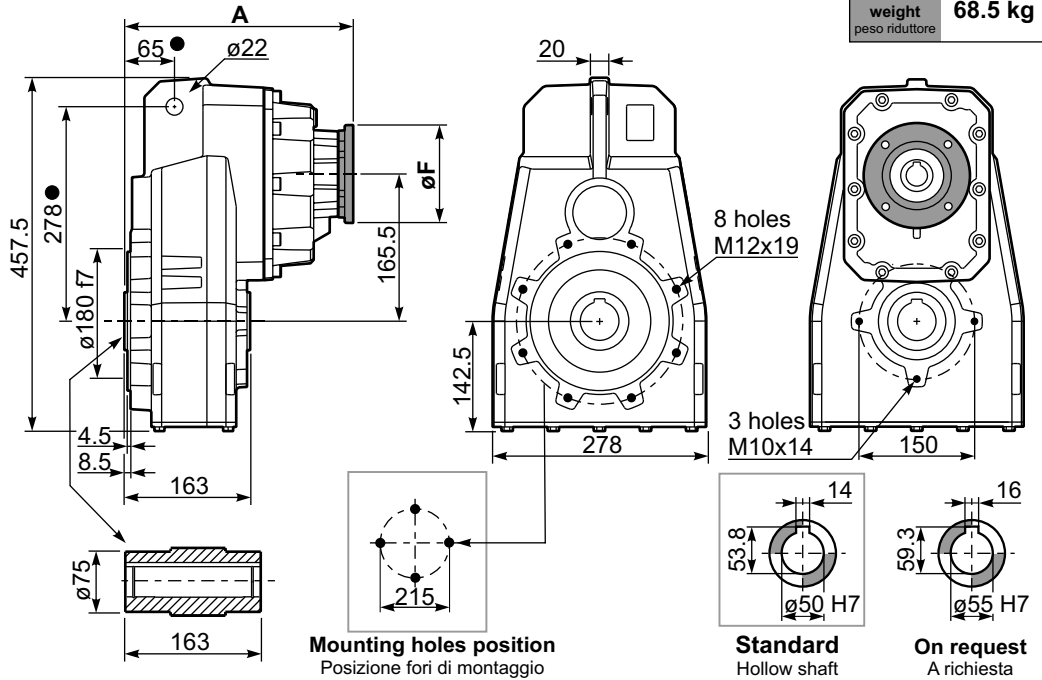
SELECT THIS TYPE AND THIS SPECIFIC SIZE ON THE WEB PAGES TO GET COMPLETE TECHNICAL DATA.
Selezionare tipo e gandezza specifica nel sito web per la documentazione completa.

PFC83C... Basic gearbox
Riduttore base

Gearbox weight **68.5 kg**
peso riduttore

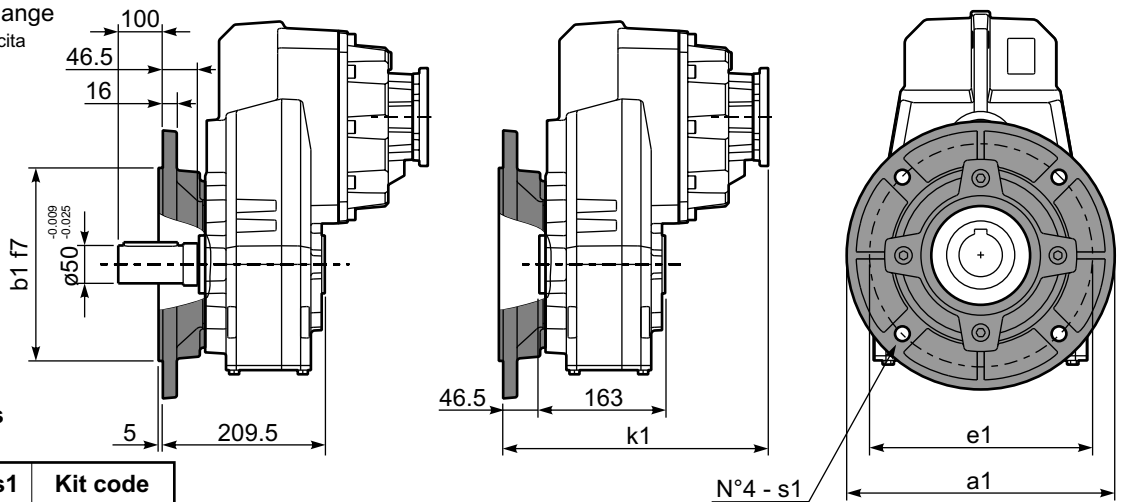
M. flanges	Kit code	øF	A
71B5	KC023.4.041	160	292.5
80/90B5	KC023.4.042	200	294.5
100/112B5	KC023.4.043	250	300.5
80B14	KC085.4.046	120	292.5
90B14	KC085.4.045	140	292.5
100/112B14	KC085.4.047	160	303.5
132B14	KC50.4.041	200	322

● Available torque arms, see our web site
Bracci di reazione disponibili, consulta il nostro sito web



PFC83...-F... Output flange
Flangia uscita

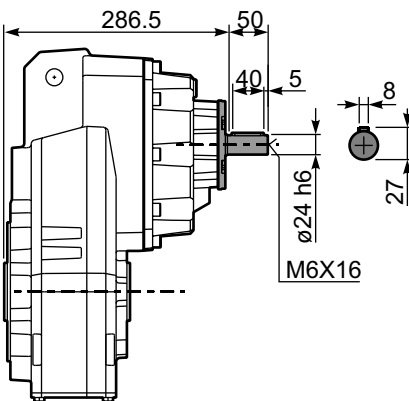
M. flanges	k1
71B5	339
80/90B5	341
100/112B5	347
80B14	339
90B14	339
100/112B14	350
132B14	368.5



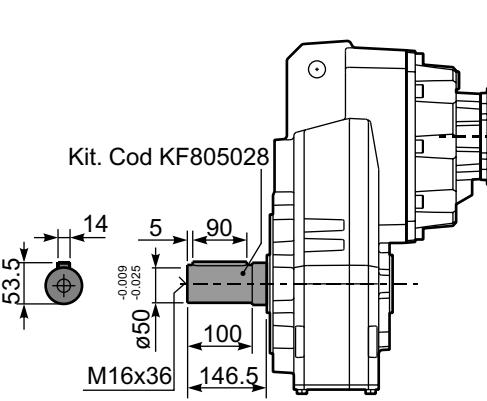
Available output flanges
Flange di uscita

a1 ø	b1	e1	s1	Kit code
300	230	265	14	KF80.9.011
350	250	300	18	KF80.9.012
400	300	350	18	KF80.9.013

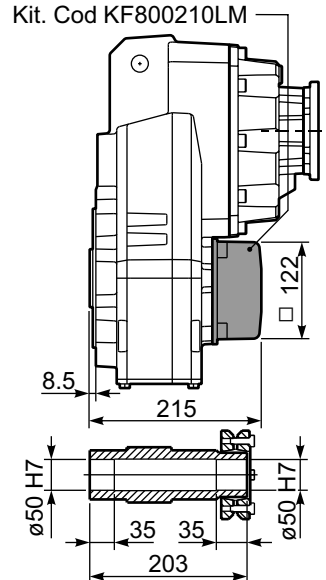
RFC83C... Input Shaft
Albero in entrata



PFC83 A... Single output shaft
Albero uscita semplice





PFC83D... Shrink disk
Calettatore





QUICK SELECTION / Selezione veloce

input speed (n_1) = 1400 min⁻¹

Output Speed n_2 [min ⁻¹]	Ratio i	Motor power P_{1M} [kW]	Output torque M_{2M} [Nm]	Service factor f.s.	Nominal power P_{1R} [kW]	Nominal torque M_{2R} [Nm]	Available B5 motor flanges		Available B14 motor flanges			Hollow Shaft 	Ratios code 
							B	C	O	P	Q		
29.3	47.7	1.10	333	1.4	1.48	450			C	C		-	01
16.2	86.3	0.75	409	1.1	0.82	450			C	C			02
14.0	100.0	0.75	474	1.0	0.70	450			C	C		standard	03
11.9	117.4	0.55	415	1.1	0.60	450			C	C		ø30	04
10.0	140.1	0.37	339	1.3	0.50	450			C	C			05
7.3	191.2	0.37	462	1.0	0.37	450			C	C		On request	06
5.6	249.6	0.25	404	1.1	0.28	450			C	C		ø35	07
4.2	329.6	0.25	533	0.8	0.21	450			C	C			08

The dynamic efficiency is **0.93** for all ratios

A Motor Flanges Available
Flange Motore Disponibili

B Supplied with Reduction Bushing
Fornito con Bussola di Riduzione

B Available on Request without reduction bushing
Disponibile a Richiesta senza Bussola di Riduzione

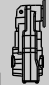
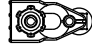


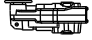
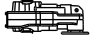
C Motor Flange Holes Position
Posizione Fori Flangia Motore

EN Unit **FS50** is supplied with synthetic oil for lifetime lubrication, no maintenance is necessary. See table 1 for lubrication and recommended quantity. In table 2 please see possible radial loads and axial loads on the gearbox. For complete documentation please visit our web site.

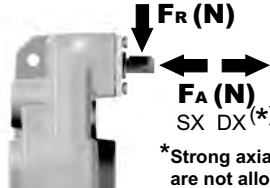
I Il riduttore **FS50** viene fornito completo di olio sintetico per la lubrificazione permanente e non necessita di alcuna manutenzione. Vedi tab.1 per oli e quantità consigliati. In tab.2 sono presenti i carichi radiali e assiali applicabili al riduttore. Per la documentazione completa consulta il nostro sito.

D Das Getriebe **FS50** ist mit synthetischem Öl gefüllt und ist lebensdauergeschmiert. In Tabelle 1 ist die Schmiermenge und das empfohlene Schmiermittel angegeben. In Tabelle 2 sind die zulässigen Radial- und Axialbelastungen des Getriebes aufgeführt. Die komplette Dokumentation, Wartungs- und Inbetriebnahmeanleitungen finden Sie unter.

E El reductor tamaño **FS50** se suministra, lubricado de por vida con aceite sintético y no requieren mantenimiento alguna. Ver tabla 1, para cantidades y aceites recomendados. En la tabla 2, se encuentran las cargas radiales y axiales admitidas por el reductor. Para documentación completa, consultar nuestra Web.

Standard supplied	For these mounting position specify in the order or add oil Per queste posizioni specificare in fase d'ordine o aggiungere olio				
					
H1	H4	H3	H2	H5	H6
0.95 LT	0.50 LT	0.50 LT	0.70 LT	0.95 LT	0.95 LT
AGIP Telium VSF 320			SHELL Omala S4 WE 320		

For all details on lubrication and plugs check our website **tab. 1**
Per maggiori dettagli su lubrificazione e tappi olio vedi il nostro sito web

RADIAL AND AXIAL LOADS				
Input shaft Albero in entrata		n_1	FA	FR
		1400	140	700
		900	160	800
*Strong axial loads in the DX direction are not allowed. Non sono consentiti forti carichi assiali con direzione DX				

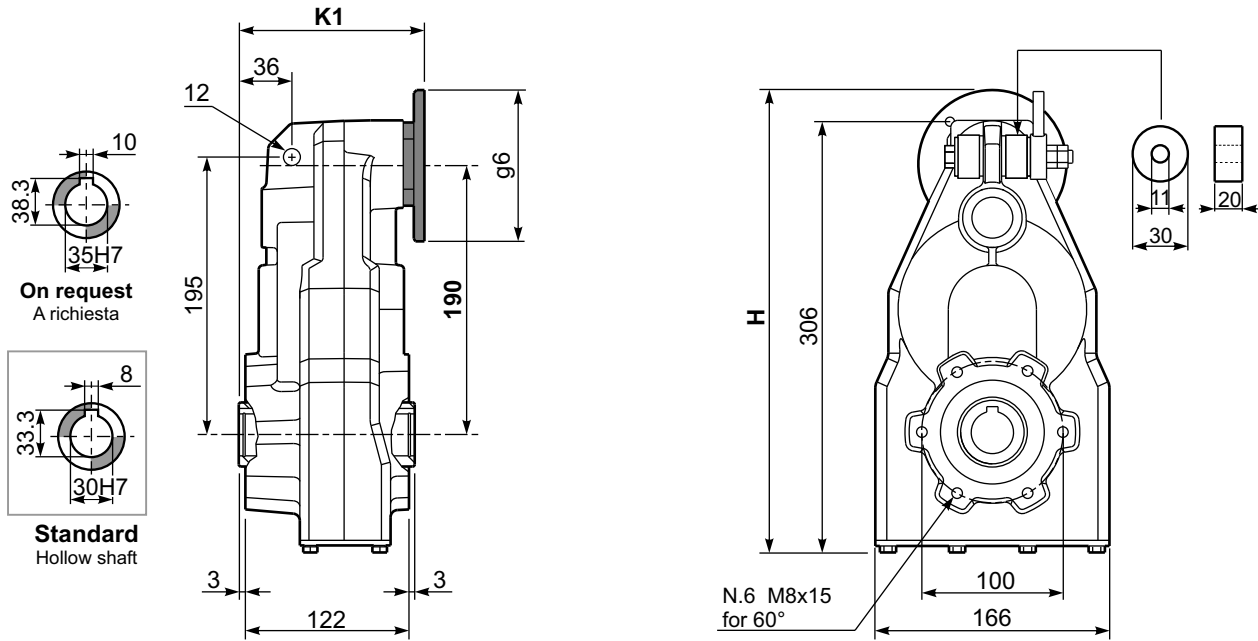
tab. 2

SELECT THIS TYPE AND THIS SPECIFIC SIZE ON THE WEB PAGES TO GET COMPLETE TECHNICAL DATA.
Selezionare tipo e gandezza specifica nel sito web per la documentazione completa.

Compact gear 450Nm **FS50**

PFS50C... Basic gearbox
Riduttore base

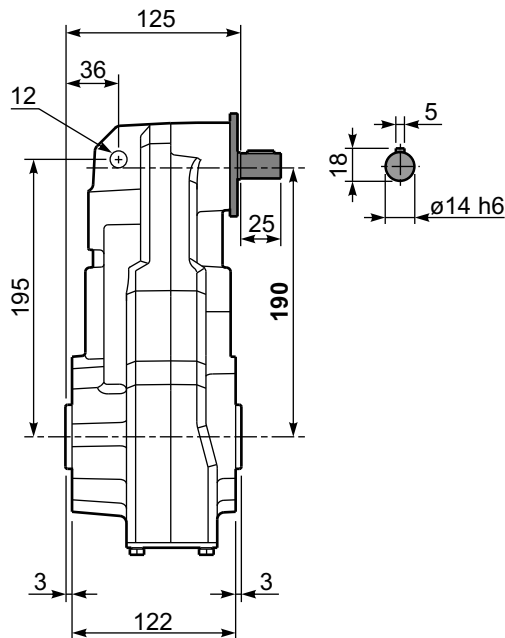
Gearbox weight
peso riduttore **11.5 kg**



B14 Motor Flanges	H	g6	k1	kit code
56 B14	314	80	130.5	KC40.4.049
63 B14	320	90	133	K050.4.047
71 B14	328	105	130.5	K050.4.045

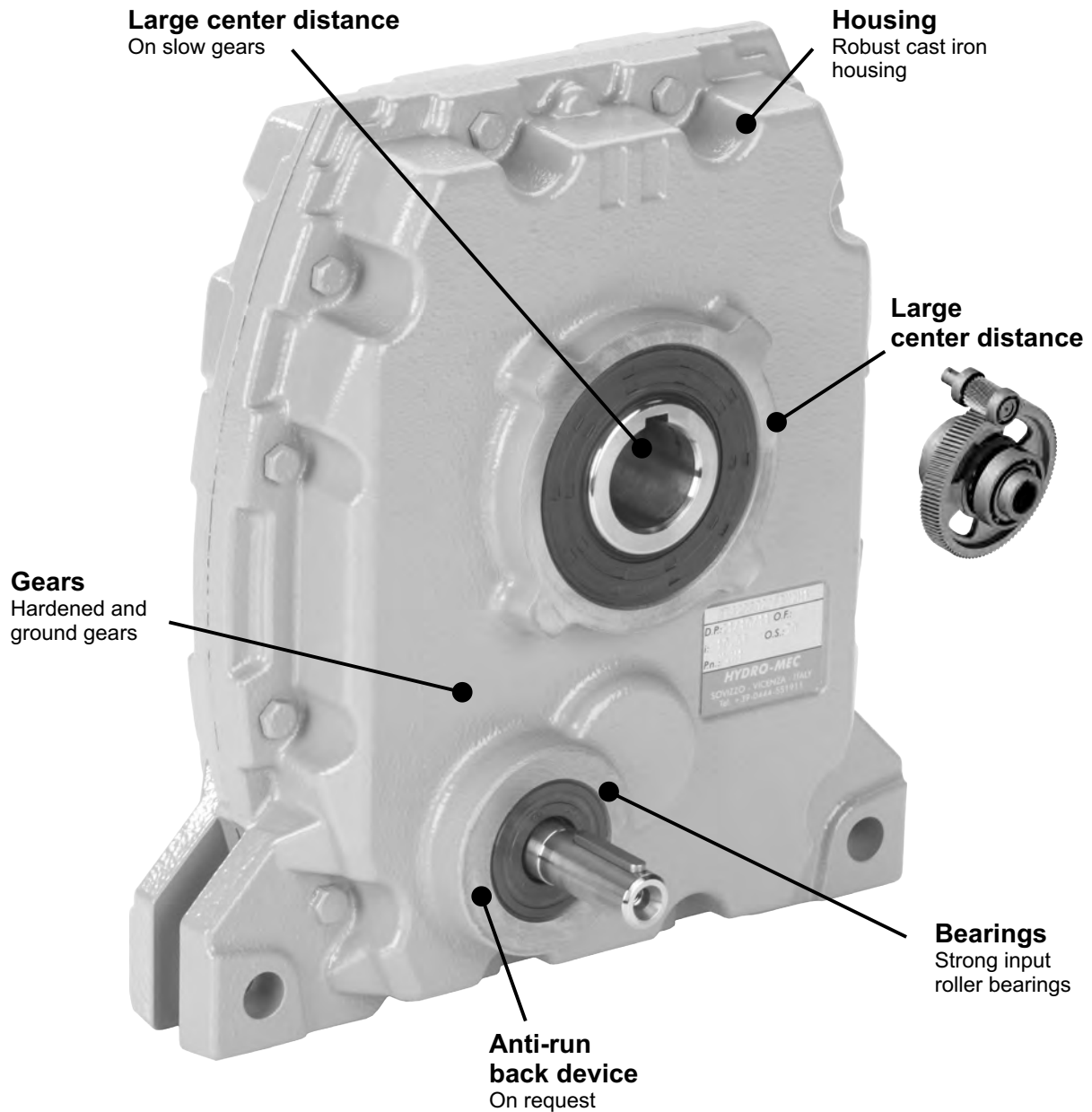
B5 Motor Flanges	H	g6	k1	kit code
63 B5	345	140	131	K050.4.041
71 B5	355	160	129	K050.4.042

RFS50C... Input shaft
Albero in entrata

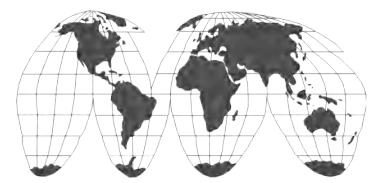
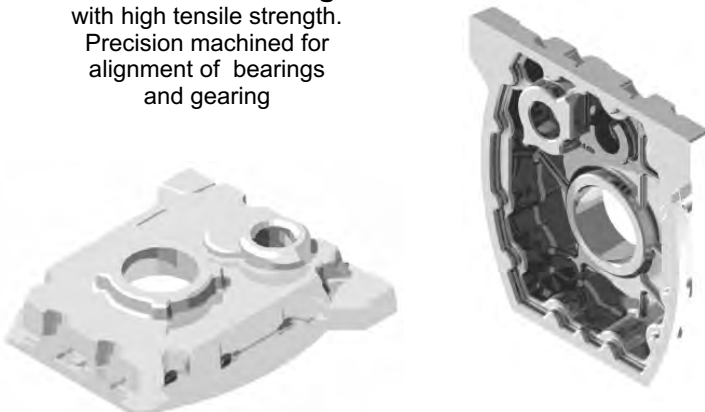


Cast iron shaft mounted gearboxes

A modular and compact product



**Single-piece
Cast Iron housing**
with high tensile strength.
Precision machined for
alignment of bearings
and gearing



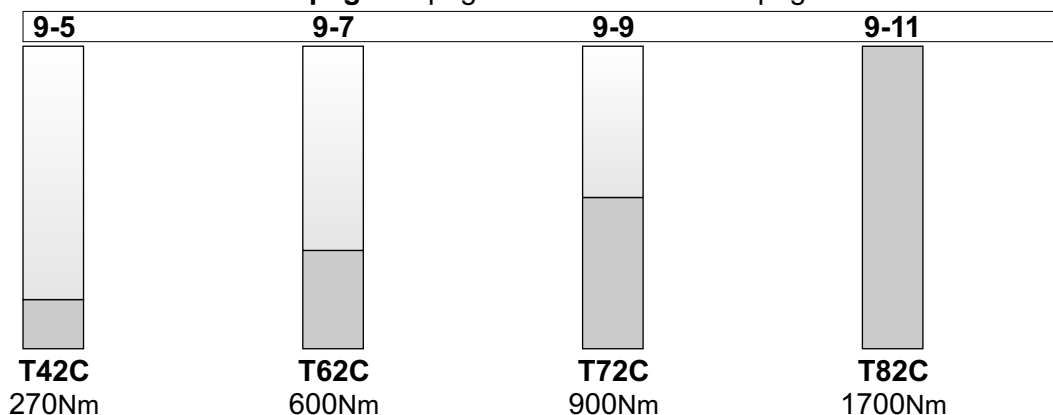
World wide sales network.

Specific type datasheet on page...



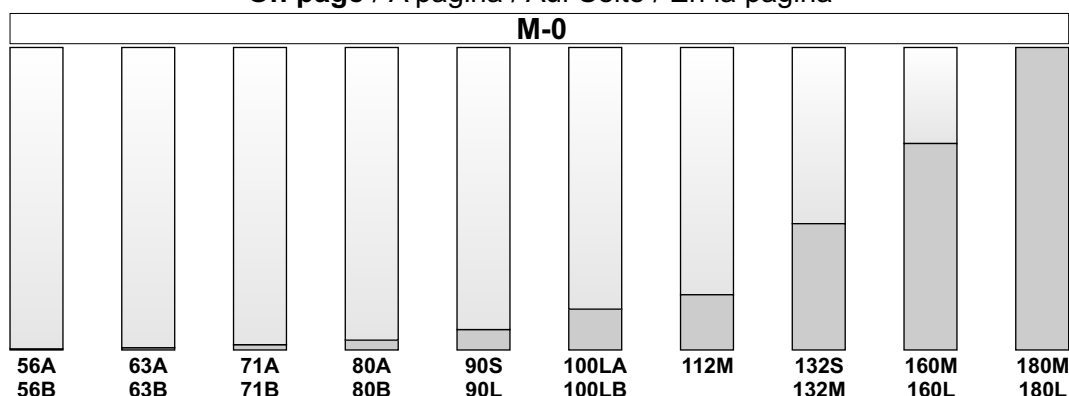
**Types / Tipi /
Arten / Tipos**

On page / A pagina / Auf Seite / En la página



**Types / Tipi /
Arten / Tipos**

On page / A pagina / Auf Seite / En la página



• Get on our web for the selected type/size the detailed informations

For : / Per : / Für : / Para :

Selection guide - fs
Guida alla selezione

Reversibility
Reversibilità

Download 3D drawings
Download disegni 3D

Mounting pos. - Lubrication
Pos. di montaggio - lubrificazione

Thermal limit
Limite termico

Interchangeability
Intercambiabilità

2 - 6 poles selection
Selezione 2 - 6 poli

Atex certification
Certificazione Atex

Installation and maintenance
Installazione, uso e manutenzione

Radial - axial loads
Carichi radiali e assiali

Accessories
Accessori

Spare parts list
Liste parti di ricambio

Type - Tipo - Typ - Tipo

Size - Grandezza
Grösse - Tomaño

Mounting - Montaggio
Montage - Tipo de montaje

Rapporto - Ratio
Untersetzung - Relacion

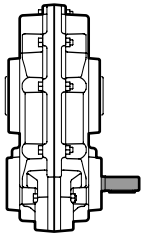
R

T42C

C

10.04

Shaft mounted gearbox
Riduttori

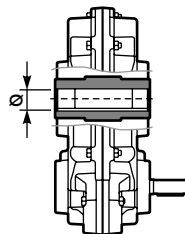


With male input shaft

R

Cast Iron
Ghisa
Grauguss
Fundicion

T42C
T62C
T72C
T82C



Hollow output shaft

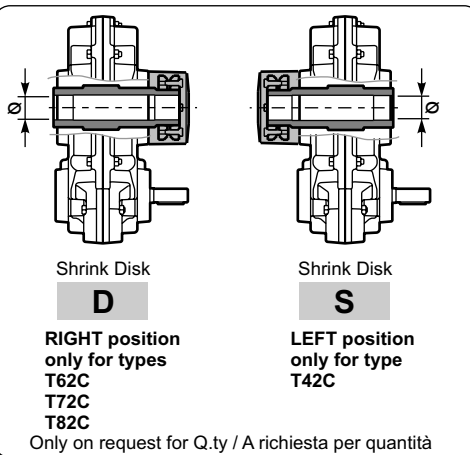
C

See technical
data table

Vedi tabella dati
tecnici.

Technisches
Datenblatt
beachten.

Ver tabla datos
técnicos



Shrink Disk

D

RIGHT position
only for types
T62C
T72C
T82C

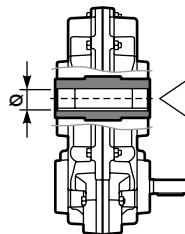
Only on request for Q.ty / A richiesta per quantità

Shrink Disk

S

LEFT position
only for type
T42C

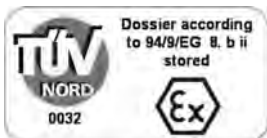
On request for q.ty



Stainless steel hub

I

Stainless steel hub
Mozzo in acciaio Inox
Edelstahlhohlwelle
Núcleo corona de
acero Inox

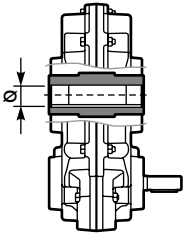
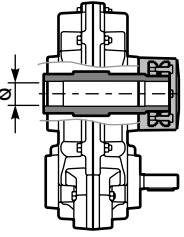
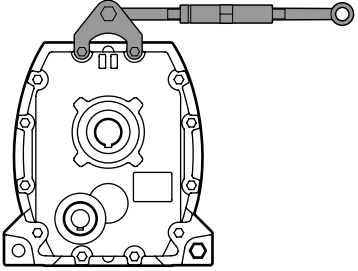
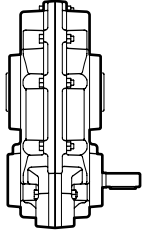
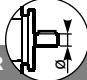
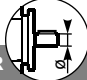
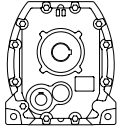
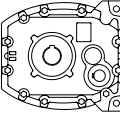
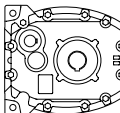
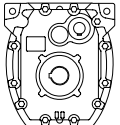
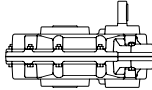
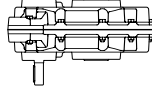


A richiesta
possiamo fornire i
nostri prodotti
secondo le
normative ATEX

On request we
can deliver our
products
according to the
ATEX

Auf Anfrage können
wir unsere Produkte
den Richtlinien
ATEX entsprechend
liefern

A pedido, se pueden
enviar nuestros
productos de acuerdo
con las normas ATEX.

Output shaft Albero uscita Ausgangsflansch Brida en solida	Type - Tipo Typ - Tipo	Output flange Flangia di uscita Ausgangs Flansch Brida en salida	Input shaft Albero entrata Antriebswelle Eje de entrada	Mounting position Posizione montaggio Einbaulage Position de montaje																																
D	FB	N	3	H1																																
 <p>STANDARD ⇒ Only on request for Q.ty A richiesta per quantità</p> <table border="1" data-bbox="135 757 284 1182"> <tr><td>T42C</td></tr> <tr><td>D → $\varnothing 30$</td></tr> <tr><td>E ⇒ $\varnothing 35$</td></tr> <tr><td>T62C</td></tr> <tr><td>E → $\varnothing 35$</td></tr> <tr><td>F ⇒ $\varnothing 40$</td></tr> <tr><td>T72C</td></tr> <tr><td>F → $\varnothing 40$</td></tr> <tr><td>G ⇒ $\varnothing 45$</td></tr> <tr><td>T82C</td></tr> <tr><td>H → $\varnothing 50$</td></tr> <tr><td>I ⇒ $\varnothing 55$</td></tr> </table> <hr/>  <p>Shrink disk</p> <table border="1" data-bbox="108 1550 316 1706"> <tr><td>Q</td><td>T42C ⇒ $\varnothing 30$</td></tr> <tr><td>T</td><td>T62C ⇒ $\varnothing 35$</td></tr> <tr><td>U</td><td>T72C ⇒ $\varnothing 40$</td></tr> <tr><td>V</td><td>T82C ⇒ $\varnothing 50$</td></tr> </table> <p>On request for q.ty</p>	T42C	D → $\varnothing 30$	E ⇒ $\varnothing 35$	T62C	E → $\varnothing 35$	F ⇒ $\varnothing 40$	T72C	F → $\varnothing 40$	G ⇒ $\varnothing 45$	T82C	H → $\varnothing 50$	I ⇒ $\varnothing 55$	Q	T42C ⇒ $\varnothing 30$	T	T62C ⇒ $\varnothing 35$	U	T72C ⇒ $\varnothing 40$	V	T82C ⇒ $\varnothing 50$	 <p style="text-align: center;">BR</p>  <p style="text-align: center;">FB</p>	<p>N Senza flangia Without flange</p> <p>Type R / Tipo R </p> <table border="1" data-bbox="1056 465 1220 779"> <tr><td>T42C</td></tr> <tr><td>2 → $\varnothing 16$</td></tr> <tr><td>T62C T72C</td></tr> <tr><td>3 → $\varnothing 24$</td></tr> <tr><td>T82C</td></tr> <tr><td>4 → $\varnothing 38$</td></tr> </table>	T42C	2 → $\varnothing 16$	T62C T72C	3 → $\varnothing 24$	T82C	4 → $\varnothing 38$	 <table border="1" data-bbox="1056 465 1220 779"> <tr><td>T42C</td></tr> <tr><td>2 → $\varnothing 16$</td></tr> <tr><td>T62C T72C</td></tr> <tr><td>3 → $\varnothing 24$</td></tr> <tr><td>T82C</td></tr> <tr><td>4 → $\varnothing 38$</td></tr> </table>	T42C	2 → $\varnothing 16$	T62C T72C	3 → $\varnothing 24$	T82C	4 → $\varnothing 38$	 <p style="text-align: center;">H1 STANDARD</p>  <p style="text-align: center;">H4</p>  <p style="text-align: center;">H3</p>  <p style="text-align: center;">H2</p>  <p style="text-align: center;">H5</p>  <p style="text-align: center;">H6</p>
T42C																																				
D → $\varnothing 30$																																				
E ⇒ $\varnothing 35$																																				
T62C																																				
E → $\varnothing 35$																																				
F ⇒ $\varnothing 40$																																				
T72C																																				
F → $\varnothing 40$																																				
G ⇒ $\varnothing 45$																																				
T82C																																				
H → $\varnothing 50$																																				
I ⇒ $\varnothing 55$																																				
Q	T42C ⇒ $\varnothing 30$																																			
T	T62C ⇒ $\varnothing 35$																																			
U	T72C ⇒ $\varnothing 40$																																			
V	T82C ⇒ $\varnothing 50$																																			
T42C																																				
2 → $\varnothing 16$																																				
T62C T72C																																				
3 → $\varnothing 24$																																				
T82C																																				
4 → $\varnothing 38$																																				
T42C																																				
2 → $\varnothing 16$																																				
T62C T72C																																				
3 → $\varnothing 24$																																				
T82C																																				
4 → $\varnothing 38$																																				

POTENZA RICHIESTA / REQUIRED POWER / ERFORDERLICHE LEISTUNG / POTENCIA NECESARIA

Lifting / sollevamento / hubantriebe / elevación

$$P \text{ [KW]} = \frac{M \text{ [Kg]} \cdot g \text{ [9.81]} \cdot v \text{ [m / s]}}{1000}$$

Rotation / rotazione / drehung / rotation

$$P \text{ [KW]} = \frac{M \text{ [Nm]} \cdot n \text{ [rpm]}}{9550}$$

Linear movement / traslazione / linearbewegung / translacion

$$P \text{ [KW]} = \frac{F \text{ [N]} \cdot v \text{ [m / s]}}{1000}$$

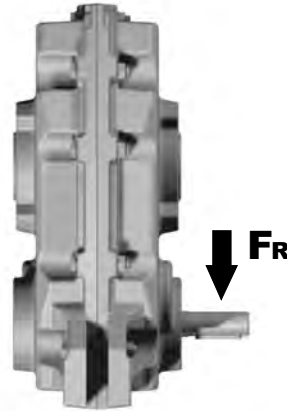
TORQUE / COPPIA / DREHMOMENT / PAR

$$M \text{ [Nm]} = \frac{9550 \cdot P \text{ [KW]}}{n \text{ [rpm]}}$$

$$M \text{ [lb in]} = \frac{63030 \cdot P \text{ [HP]}}{n \text{ [rpm]}}$$

RADIAL LOADS / CARICHI RADIALI / RADIALE / CARGA RADIAL

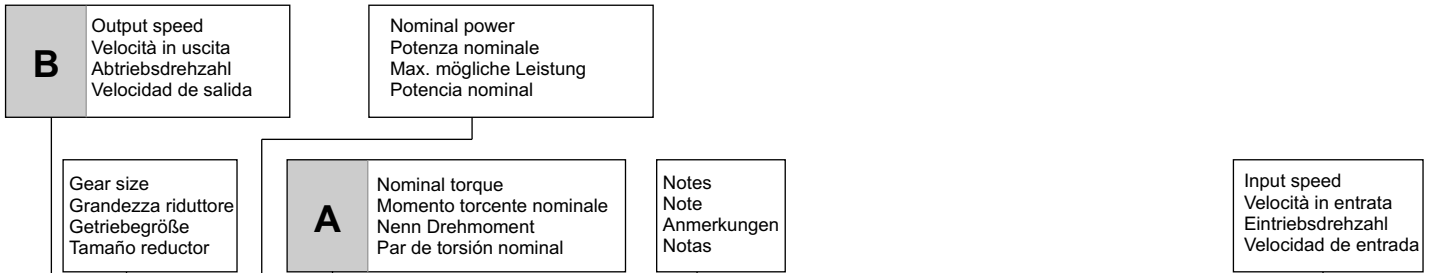
- Radial load generated by external transmissions keyed onto input and/or output shafts.
- Forza radiale generata da organi di trasmissione calettati sugli alberi di ingresso e/o uscita.
- Belastungen der Antriebs- bzw. Abtriebswellen durch von aussen eingebrachte Radiallasten.
- Cargas radiales, generada por transmisiones externas, aplicadas sobre los ejes de entrada y/o salida



	$F_R \text{ [N]} = \frac{M \text{ [Nm]} \cdot 2000}{d \text{ [mm]}} \cdot f_k$	$F_R \text{ [N]} = \frac{M \text{ [lb in]} \cdot 8.9}{d \text{ [in]}} \cdot f_k$
M	Momento torcente / Output torque / Abtriebsdrehmoment / Par torsion	
d	Diametro primitivo / Diam. of driving element / Durchmesser der Abtriebseinheit / Diámetro primitivo	
f_k	Coefficiente di trasformazione / Factor / Faktor / Coefficiente de transmisión 1.15 Ingranaggi / Gearwheels / Zahnrad / Engranaje 1.25 Catena / Chain sprockets / Antriebskette / Cadena 1.75 Cinghia Trapezoidale / Narrow v-belt pulley / Keilriemen / Correa trapezoidal 2.50 Cinghia piatta / Flat-belt pulley / Flachzahnriem. / Correa plana	

- If your application requires higher radial loads, contact our technical office. Higher load may be possible.
- Nel caso la vostra applicazione richieda carichi radiali superiori consultare il nostro ufficio tecnico, valori maggiori possono essere accettati.
- Wenn Ihre Anwendung höhere Radialbelastungen erfordert, so wenden Sie sich bitte an unser technischen Büro.
- En el caso en que una aplicación exija una carga radial superior a la especificada en el catálogo, consultar a nuestra oficinas técnica.

How to select a gearbox / Come selezionare un riduttore
Wie wählt man ein Getriebe / Cómo seleccionar un reductor



T42C 270Nm Rating - Cast iron SHAFT MOUNTED GEARBOX

QUICK SELECTION / Selezione veloce

input speed (n_1) = 1400 min⁻¹

Output Speed n_2 [min ⁻¹]	Ratio i	Nominal power P_{1R} [kW]	Nominal torque M_{2R} [Nm]	Radial loads FR_{N1} [N]	Output Shaft	Ratios code
172	8.12	3.57	190	350	2818	01
139	10.06	3.04	200	350	2815	02
82	17.02	2.24	250	350	1718	03
77	18.19	2.18	260	350	1915	04

Nominal power $P_{1R} \geq P_{1r} \times fs$

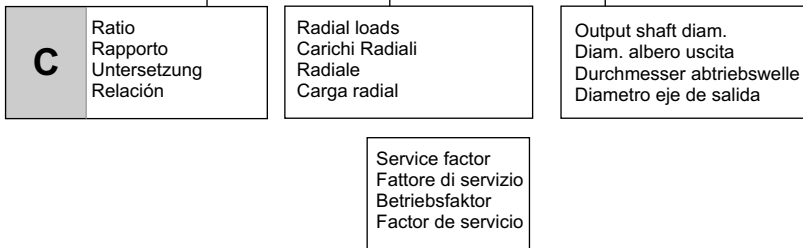
Required power $P_{1r} = P_{1M} \times d_2 / d_1$

Total reduction with pulley $i_1 = i \times d_2 / d_1$

Nominal output torque $M_{2R} \geq M_{2r} \times fs$

Output torque required $M_{2r} = M_{mot} \times d_2 / d_1 \times i$

$FR_{N1} \geq FR$



Type of load and starts per hour Tipo di carico e avviamenti per ora		Oper. hours per day Ore di funz. giorn.		
		3 h	10 h	24 h
Continuous or intermittent appl. with start / hour Applicazione cont. o interm. con n.ro operazioni/ora	Uniform / Uniforme	0.8	1	1.25
	Moderate / Moderato	1	1.25	1.5
	Heavy / Forte	1.25	1.5	1.75
Intermittent application with start / hour Applicazione intermittente con n.ro operazioni/ora	Uniform / Uniforme	1	1.25	1.5
	Moderate / Moderato	1.25	1.5	1.75
	Heavy / Forte	1.5	1.75	2.15

A	Select required torque (according to service factor)	Seleziona la coppia desiderata (comprensiva del fattore di servizio)	Max. Drehmoment in Bezug zum Betriebsfaktor	Seleccionar el par deseado (incluyendo el factor de servicio)
B	Select output speed	Seleziona la velocità in uscita	Ausgewählte Abtriebsdrehzahl	Seleccionar la velocidad de salida
C	On the same line of selected geared motor, you can find the gear ratio	Sulla riga corrispondente alla motorizzazione prescelta si può rilevare il	Auf der gleichen Linie wie die ausgewählte Motorleistung steht auch die	En la línea correspondiente al motor preseleccionado es posible encontrar la relación



QUICK SELECTION / Selezione veloce

Output Speed n_2 [min ⁻¹]	Ratio i	Nominal power P_{1R} [kW]	Nominal torque M_{2R} [Nm]	Radial loads F_{R1} [N]		Output Shaft 	Ratios code
167	8.38	3.6	200	350	2821	standard ø30 ø35 On request	01
139	10.04	3.0	200	350	2818		02
114	12.33	2.7	220	350	2813		03
92	15.16	2.3	230	350	1921		04
80	17.57	2.1	240	350	1721		05
77	18.16	2.3	270	350	1918		06
67	21.05	2.0	270	350	1718		07
63	22.30	1.9	270	350	1913		08
57	24.70	1.7	270	350	1518		09
54	25.85	1.6	270	350	1713		10
47.5	29.49	1.4	270	350	1318		11
46.1	30.34	1.4	270	350	1513		12
41.7	33.60	1.1	250	350	1021		13
38.7	36.21	1.1	270	350	1313		14
34.8	40.25	1.0	270	350	1018		15
28.3	49.43	0.83	270	350	1013		16
26.7	52.53	0.73	250	350	918		17
21.7	64.51	0.64	270	350	913		18
20.2	69.37	0.40	180	350	718		19
16.4	85.19	0.39	220	350	713		20

The dynamic efficiency is **0.96** for all ratios

input speed (n_1) = 1400 min⁻¹

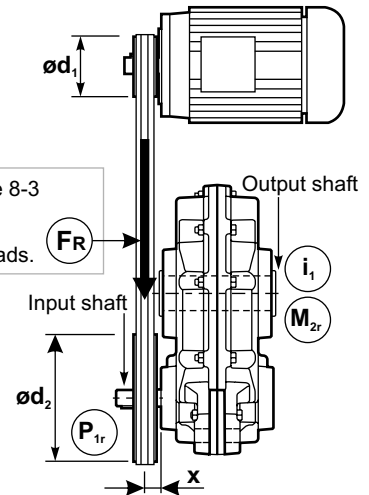
Nominal power $P_{1R} \geq P_{1r} \times fs$
 Required power $P_{1r} = P_{1M} \times d_2 / d_1$
 Total reduction with pulley $i_1 = i \times d_2 / d_1$

Nominal output torque $M_{2R} \geq M_{2r} \times fs$
 Required output torque $M_{2r} = M_{mot} \times d_2 / d_1 \times i$

FR to be calculated on page 8-3

$$FR_1 \geq FR$$

That is the allowed radial loads.



Standard supplied	For these mounting position specify in the order or add oil Per queste posizioni specificare in fase d'ordine o aggiungere olio				
H1	H4	H3	H2	H5	H6
0.95 LT	0.95 LT	1.35 LT	1.60 LT	1.60 LT	1.60 LT
AGIP Telium VSF 320			SHELL Omala S4 WE 320		

For all details on lubrication and plugs check our website **tab. 1**
 Per maggiori dettagli su lubrificazione e tappi olio vedi il nostro sito web

d_1 Diameter of motor pulley M_{mot} [Nm] Motor output torque
 d_2 Diameter of gearbox pulley P_{1M} [kW] Motor input power
 i Gearbox ratio

EN Unit **T42C** is supplied with synthetic oil for lifetime lubrication, no maintenance is necessary. See table 1 for lubrication and recommended quantity.

For complete documentation please visit our web site.

D Das Getriebe **T42C** ist mit synthetischem Öl gefüllt und ist lebensdauergeschmiert. In Tabelle 1 ist die Schmiermenge und das empfohlene Schmiermittel angegeben.

Die komplette Dokumentation, Wartungs- und Inbetriebnahmeanleitungen finden Sie unter.

I Il riduttore **T42C** viene fornito completo di olio sintetico per la lubrificazione permanente e non necessita di alcuna manutenzione. Vedi tab.1 per oli e quantità consigliati.

Per la documentazione completa consulta il nostro sito.

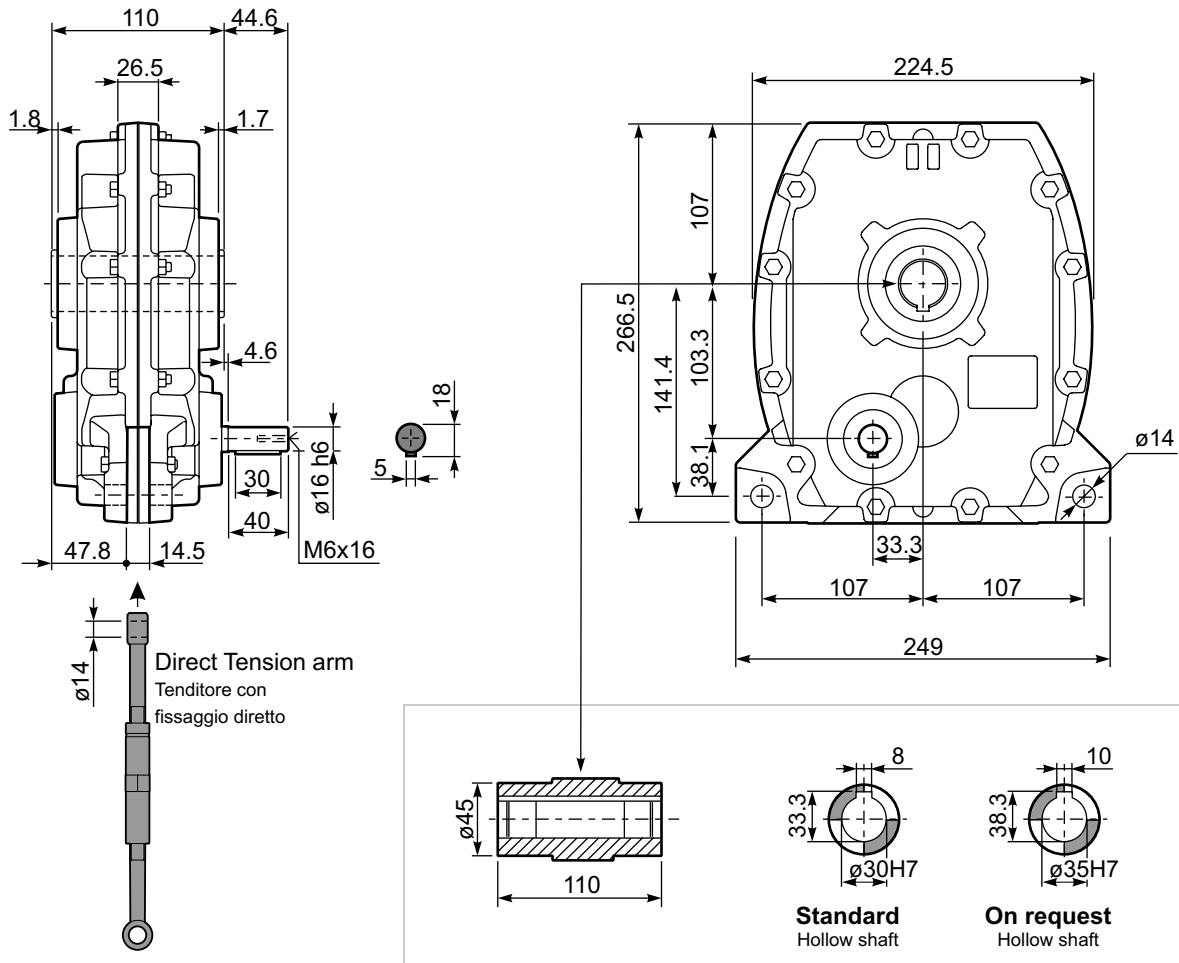
E El reductor tamaño **T42C** se suministra, lubricado de por vida con aceite sintético y no requiren mantenimiento alguna. Ver tabla 1, para cantidades y aceites recomendados.

Para documentación completa, consultar nuestra Web.

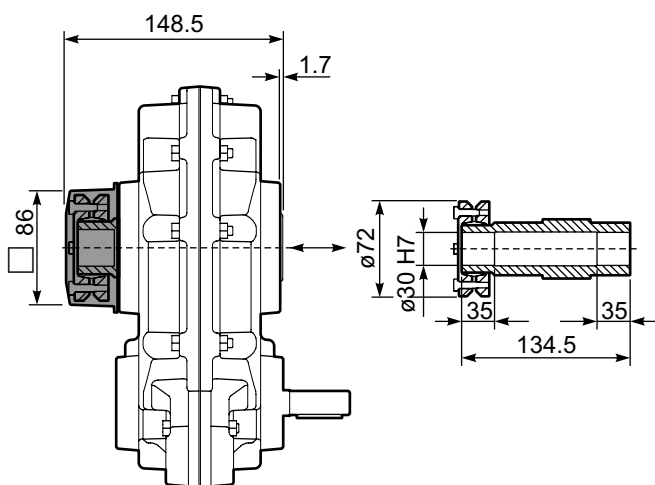
SELECT THIS TYPE AND THIS SPECIFIC SIZE ON THE WEB PAGES TO GET COMPLETE TECHNICAL DATA.
 Selezionare tipo e gandezza specifica nel sito web per la documentazione completa.

RT42C...**FB** Basic gearbox
Riduttore base

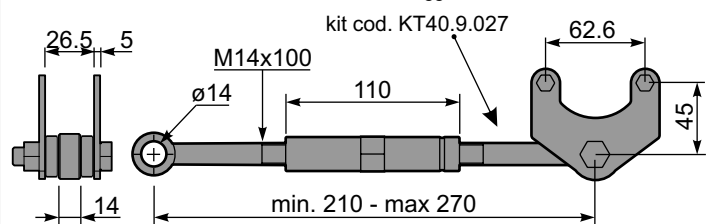
Gearbox weight
peso riduttore **16.8 kg**



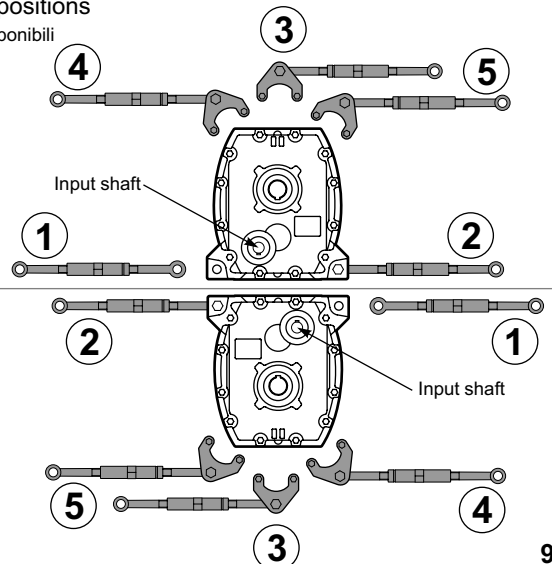
RT42C...**S** Shrink disk
Calettatore



RT42C...**BR** Tension arm with bracket
Tenditore con staffa di fissaggio



Available positions
Posizioni disponibili





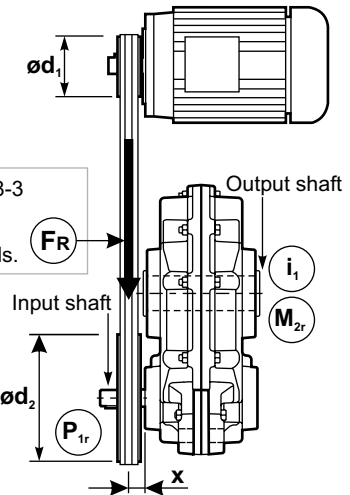
QUICK SELECTION / Selezione veloce

Output Speed n_2 [min ⁻¹]	Ratio i	Nominal power P_{1R} [kW]	Nominal torque M_{2R} [Nm]	Radial loads FR_1 [N]		Output Shaft	
213	6.57	8.4	360	500	3018		01
185	7.56	7.5	370	500	3016		02
159	8.82	6.7	385	500	3014		03
113	12.39	6.8	550	500	2018		04
98	14.24	6.1	570	500	2016	standard	05
84	16.75	5.5	600	500	1618		ø35
73	19.25	4.8	600	500	1616		07
64	21.78	4.2	600	500	1318	ø40	08
56	25.04	3.7	600	500	1316		On request
47.9	29.23	3.1	600	500	1314		10
45.7	30.65	3.0	600	500	1116		11
39.1	35.78	2.6	600	500	1114		12
36.3	38.55	2.3	580	500	818		13
31.6	44.32	2.1	600	500	816		14
27.1	51.74	1.8	600	500	814		15
22.9	61.03	1.2	460	500	616		16
19.6	71.25	1.2	535	500	614		17

input speed (n_1) = 1400 min⁻¹

Nominal power $P_{1R} \geq P_{1r} \times fs$
 Required power $P_{1r} = P_{1M} \times d_2 / d_1$
 Total reduction with pulley $i_1 = i \times d_2 / d_1$

Nominal output torque $M_{2R} \geq M_{2r} \times fs$
 Required output torque $M_{2r} = M_{mot} \times d_2 / d_1 \times i$



FR to be calculated on page 8-3
 $FR_1 \geq FR$
 That is the allowed radial loads.

The dynamic efficiency is **0.96** for all ratios

Standard supplied	For these mounting position specify in the order or add oil Per queste posizioni specificare in fase d'ordine o aggiungere olio				
H1	H4	H3	H2	H5	H6
1.30 LT	1.30 LT	1.95 LT	2.20 LT	2.10 LT	2.10 LT
AGIP Telium VSF 320			SHELL Omala S4 WE 320		

For all details on lubrication and plugs check our website **tab. 1**
 Per maggiori dettagli su lubrificazione e tappi olio vedi il nostro sito web

d_1 Diameter of motor pulley M_{mot} [Nm] Motor output torque
 d_2 Diameter of gearbox pulley P_{1M} [kW] Motor input power
 i Gearbox ratio

EN Unit **T62C** is supplied with synthetic oil for lifetime lubrication, no maintenance is necessary. See table 1 for lubrication and recommended quantity.
 For complete documentation please visit our web site.

D Das Getriebe **T62C** ist mit synthetischem Öl gefüllt und ist lebensdauergeschmiert. In Tabelle 1 ist die Schmiermenge und das empfohlene Schmiermittel angegeben.
 Die komplette Dokumentation, Wartungs- und Inbetriebnahmeanleitungen finden Sie unter.

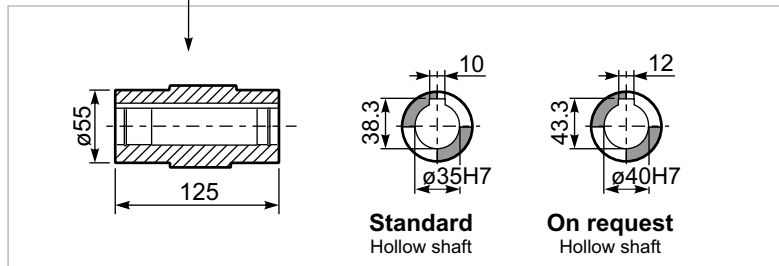
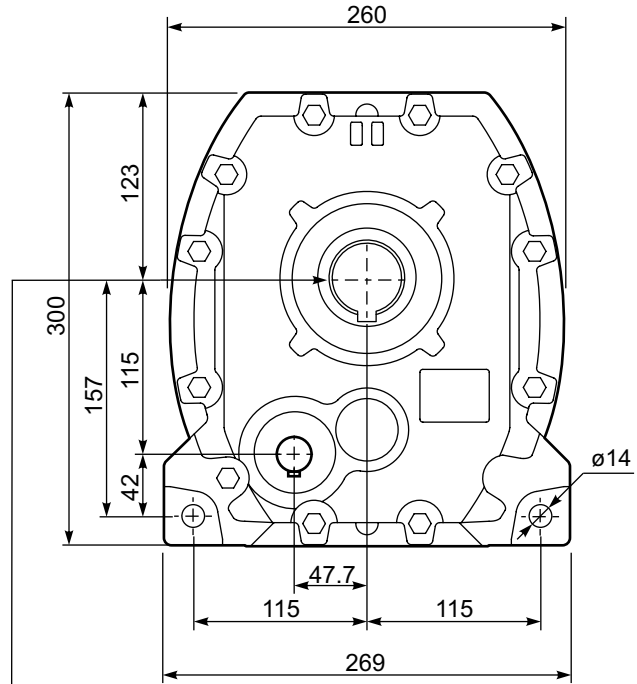
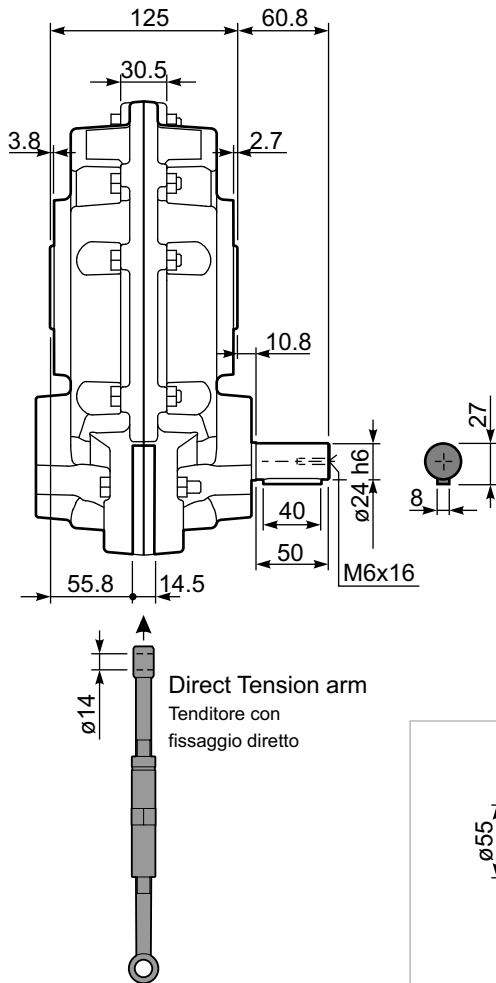
I Il riduttore **T62C** viene fornito completo di olio sintetico per la lubrificazione permanente e non necessita di alcuna manutenzione. Vedi tab.1 per oli e quantità consigliati.
 Per la documentazione completa consulta il nostro sito.

E El reductor tamaño **T62C** se suministra, lubricado de por vida con aceite sintético y no requiren mantenimiento alguna. Ver tabla 1, para cantidades y aceites recomendados.
 Para documentación completa, consultar nuestra Web.

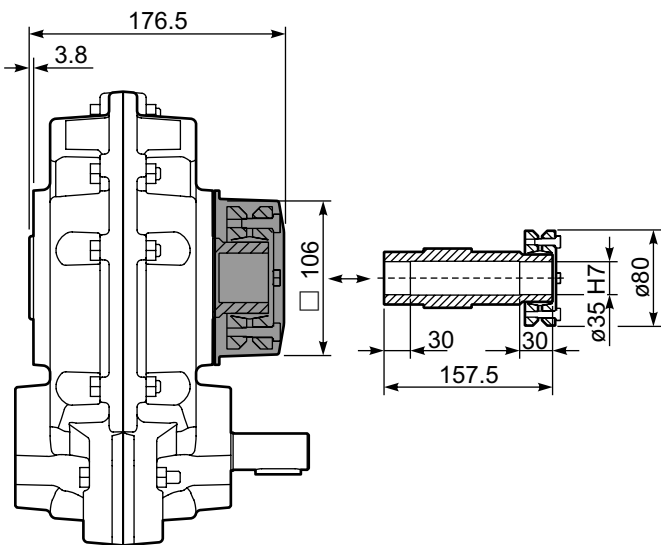
SELECT THIS TYPE AND THIS SPECIFIC SIZE ON THE WEB PAGES TO GET COMPLETE TECHNICAL DATA.
 Selezionare tipo e gandezza specifica nel sito web per la documentazione completa.

RT62C...**FB** Basic gearbox
Riduttore base

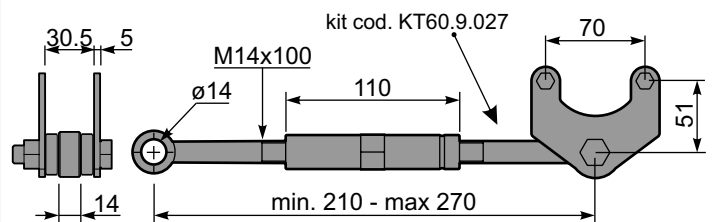
Gearbox weight
peso riduttore **26.0 kg**



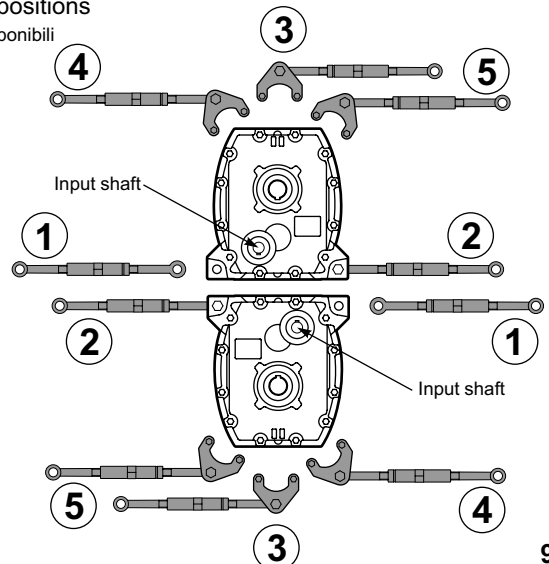
RT62C...**D** Shrink disk
Calettatore



RT62C...**BR** Tension arm with bracket
Tenditore con staffa di fissaggio



Available positions
Posizioni disponibili





QUICK SELECTION / Selezione veloce

Output Speed n_2 [min ⁻¹]	Ratio i	Nominal power P_{1R} [kW]	Nominal torque M_{2R} [Nm]	Radial loads FR_{N1} [N]		Output Shaft 	Output Shaft 	Ratios code
175	8.02	9.3	490	850	3018			01
153	9.18	9.3	560	850	3016			02
131	10.68	9.3	650	850	3014			03
93	15.11	7.6	755	850	2018			04
81	17.30	7.6	865	850	2016			05
70	20.13	6.8	900	850	2014			06
60	23.39	5.9	900	850	1616	standard		07
52	27.21	5.1	900	850	1614	ø40		08
46.0	30.42	4.5	900	850	1316			09
39.6	35.38	3.9	900	850	1314	ø45		10
37.6	37.24	3.1	750	850	1116	On request		11
32.3	43.31	3.1	870	850	1114			12
29.8	47.02	2.3	705	850	818			13
26.0	53.85	2.3	810	850	816			14
22.4	62.63	2.2	900	850	814			15
18.9	74.16	1.2	556	850	616			16
16.2	86.25	1.2	647	850	614			17

input speed (n_1) = 1400 min⁻¹

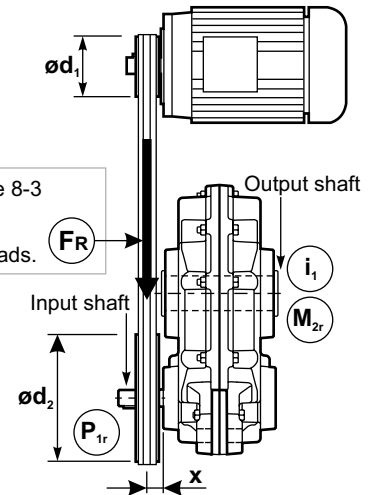
Nominal power $P_{1R} \geq P_{1r} \times fs$
 Required power $P_{1r} = P_{1M} \times d_2 / d_1$
 Total reduction with pulley $i_1 = i \times d_2 / d_1$

Nominal output torque $M_{2R} \geq M_{2r} \times fs$
 Required output torque $M_{2r} = M_{mot} \times d_2 / d_1 \times i$

The dynamic efficiency is **0.96** for all ratios

FR to be calculated on page 8-3

$FR_1 \geq FR$
 That is the allowed radial loads.



H1	H4	H3	H2	H5	H6
2.10 LT	2.10 LT	2.95 LT	3.60 LT	3.00 LT	3.00 LT
AGIP Blasias 460					

tab. 1

d_1 Diameter of motor pulley
 d_2 Diameter of gearbox pulley
 i Gearbox ratio
 M_{mot} [Nm] Motor output torque
 P_{1M} [kW] Motor input power

For all details on lubrication and plugs check our website
 Per maggiori dettagli su lubrificazione e tappi olio vedi il nostro sito web

EN Unit **T72C** is supplied without lubricant and equipped with a breather, level and drain plugs. User can add mineral oil keeping existing plugs. Should the user wish to fill it with synthetic oil, it is recommended to replace the existing plugs with a closed plug.
 See table 1 for lubrication and recommended quantity.
 In table 2 please see possible radial loads and axial loads on the gearbox.
 For complete documentation please visit our web site.

E El reductor tamaño **T72C** se suministra sin lubricante, provisto de tapones de respiración, nivel y descarga de aceite. El usuario puede utilizar aceite mineral, manteniendo los tapones existentes. Si prefiere utilizar aceite sintético deberá sustituir los tapones existentes por tapones ciegos. La prerreducción se suministra con tapones ciegos, lubricado de por vida con aceite sintético.
 Ver tabla 1, para cantidades y aceites recomendados.
 En la tabla 2, se encuentran las cargas radiales y axiales admitidas por el reductor.
 Para documentación completa, consultar nuestra Web.

I Il riduttore tipo **T72C** è fornito privo di lubrificazione con tappi di sfiato, livello e scarico olio. L'utente può immettere olio minerale mantenendo i tappi esistenti. Se immetterà olio sintético, dovrà sostituire i tappi esistenti con altri tipo chiuso.
 Tab.1 per oli e quantità consigliati.
 Tab.2 carichi radiali e assiali applicabili al riduttore.
 Per la documentazione completa consulta il nostro sito.

D Das Getriebe der Baugröße **T72C** wird ohne Schmiermittel geliefert. Es ist jedoch mit Einfüllschraube, Überdruckventil und Ablassschraube ausgerüstet. Das benötigte mineralische Öl kann über die Einfüllschraube eingefüllt werden. Sollte synthetisches Öl bevorzugt werden, so ist sind das eingebaute Überdruckventil durch eine geschlossenen Schraube zu ersetzen.
 In Tabelle 1 ist die Schmiermenge und das empfohlene Schmiermittel angegeben
 In Tabelle 2 sind die zulässigen Radial - und Axialbelastungen des Getriebes aufgeführt.
 Die komplette Dokumentation, Wartungs - und Inbetriebnahmeanleitungen finden Sie unter.

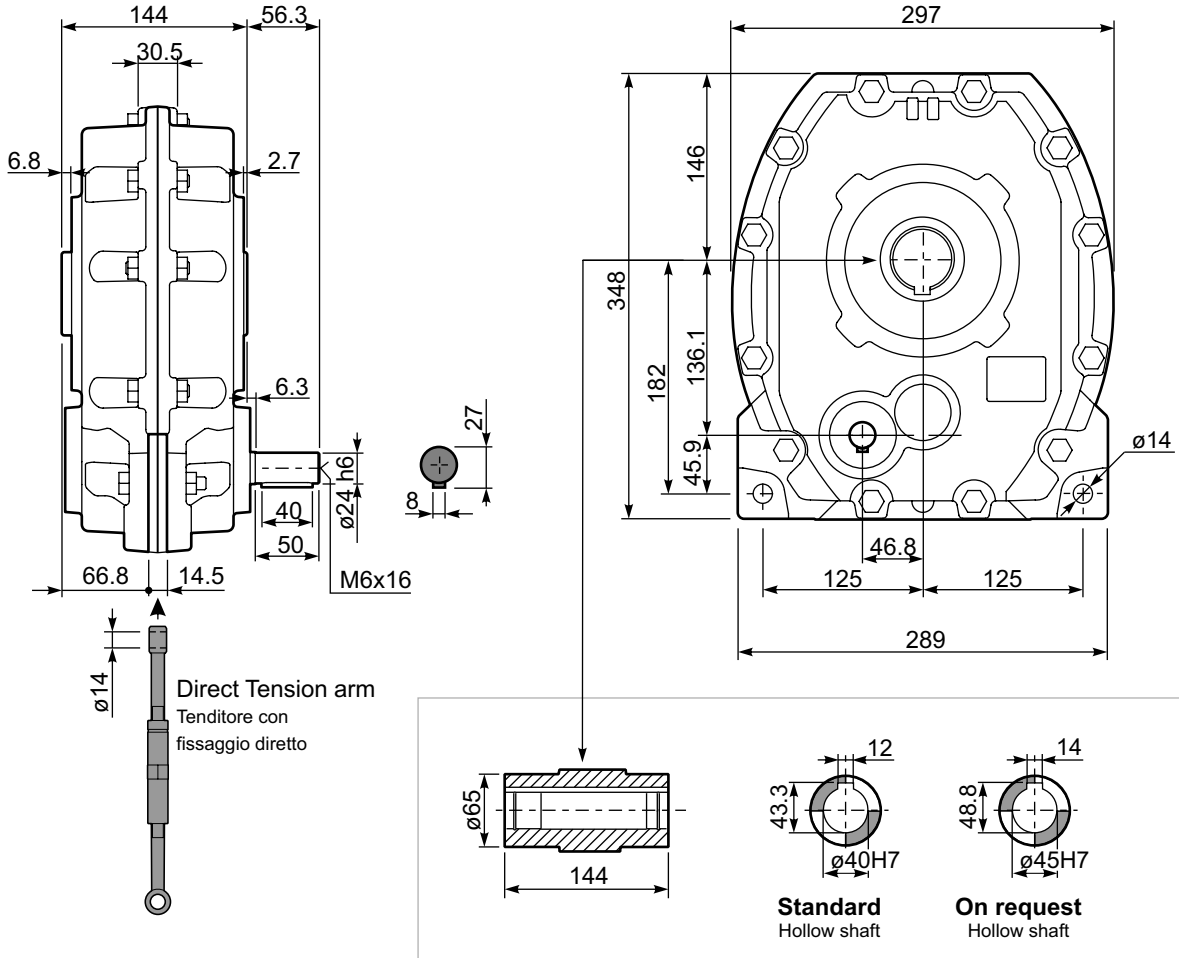
SELECT THIS TYPE AND THIS SPECIFIC SIZE ON THE WEB PAGES TO GET COMPLETE TECHNICAL DATA.
 Selezionare tipo e gandezza specifica nel sito web per la documentazione completa.

RT72C...**FB**

Basic gearbox
Riduttore base

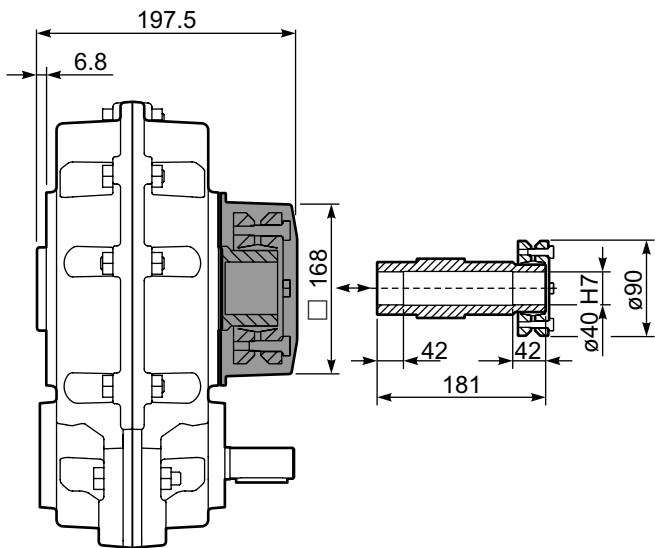
Gearbox weight
peso riduttore

40.0 kg



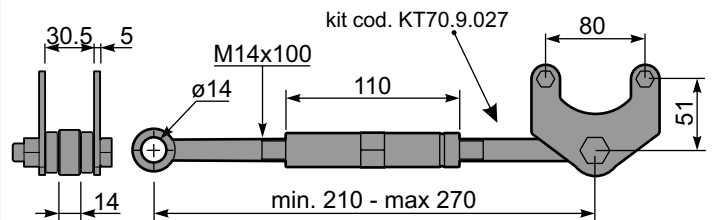
RT72C...**D**

Shrink disk
Calettatore

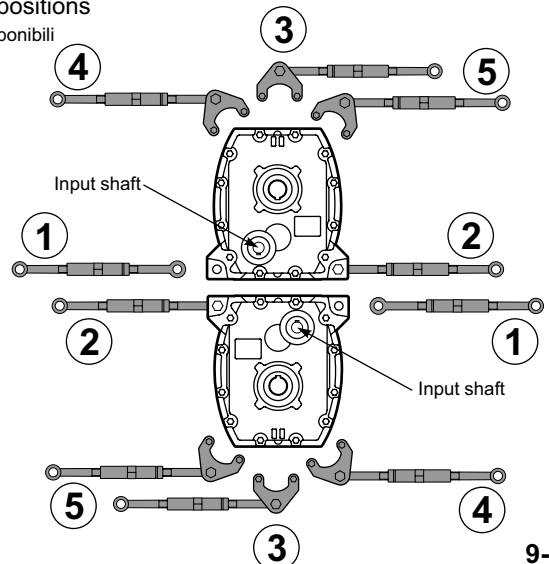


RT72C...**BR**

Tension arm with bracket
Tenditore con staffa di fissaggio



Available positions
Posizioni disponibili





QUICK SELECTION / Selezione veloce

input speed (n_1) = 1400 min⁻¹

Output Speed n_2 [min ⁻¹]	Ratio i	Nominal power P_{1R} [kW]	Nominal torque M_{2R} [Nm]	Radial loads FR_{N1} [N]		Output Shaft	
197	7.10	21	975	1700	3013	standard ø50	01
162	8.63	19.5	1100	1700	3011		02
105	13.38	16.2	1420	1700	2013		03
86	16.26	14.5	1545	1700	2011		04
77	18.09	13.0	1545	1700	1613		05
64	21.98	11.5	1650	1700	1611		06
60	23.53	10.7	1650	1700	1313		07
48.6	28.80	9.0	1700	1700	1113		08
40.0	34.99	7.4	1700	1700	1111		09
33.6	41.64	6.2	1700	1700	813		10
27.7	50.60	5.1	1700	1700	811		11

The dynamic efficiency is **0.96** for all ratios

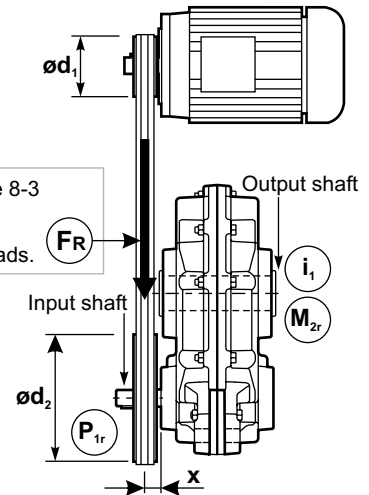
Nominal power $P_{1R} \geq P_{1r} \times fs$
 Required power $P_{1r} = P_{1M} \times d_2 / d_1$
 Total reduction with pulley $i_1 = i \times d_2 / d_1$

Nominal output torque $M_{2R} \geq M_{2r} \times fs$
 Required output torque $M_{2r} = M_{mot} \times d_2 / d_1 \times i$

FR to be calculated on page 8-3

$$FR_1 \geq FR$$

That is the allowed radial loads.



H1	H4	H3	H2	H5	H6
4.0 LT	4.0 LT	5.8 LT	6.6 LT	6.4 LT	6.4 LT
AGIP Blasias 460					

For all details on lubrication and plugs check our website

Per maggiori dettagli su lubrificazione e tappi olio vedi il nostro sito web

tab. 1

d_1 Diameter of motor pulley
 d_2 Diameter of gearbox pulley
 i Gearbox ratio
 M_{mot} [Nm] Motor output torque
 P_{1M} [kW] Motor input power

EN Unit **T82C** is supplied without lubricant and equipped with a breather, level and drain plugs. User can add mineral oil keeping existing plugs. Should the user wish to fill it with synthetic oil, it is recommended to replace the existing plugs with a closed plug.
 See table 1 for lubrication and recommended quantity.
 In table 2 please see possible radial loads and axial loads on the gearbox.
 For complete documentation please visit our web site.

I Il riduttore tipo **T82C** è fornito privo di lubrificazione con tappi di sfiato, livello e scarico olio. L'utente può immettere olio minerale mantenendo i tappi esistenti. Se immetterà olio sintetico, dovrà sostituire i tappi esistenti con altri tipo chiuso.
 Tab.1 per oli e quantità consigliati.
 Tab.2 carichi radiali e assiali applicabili al riduttore.
 Per la documentazione completa consulta il nostro sito.

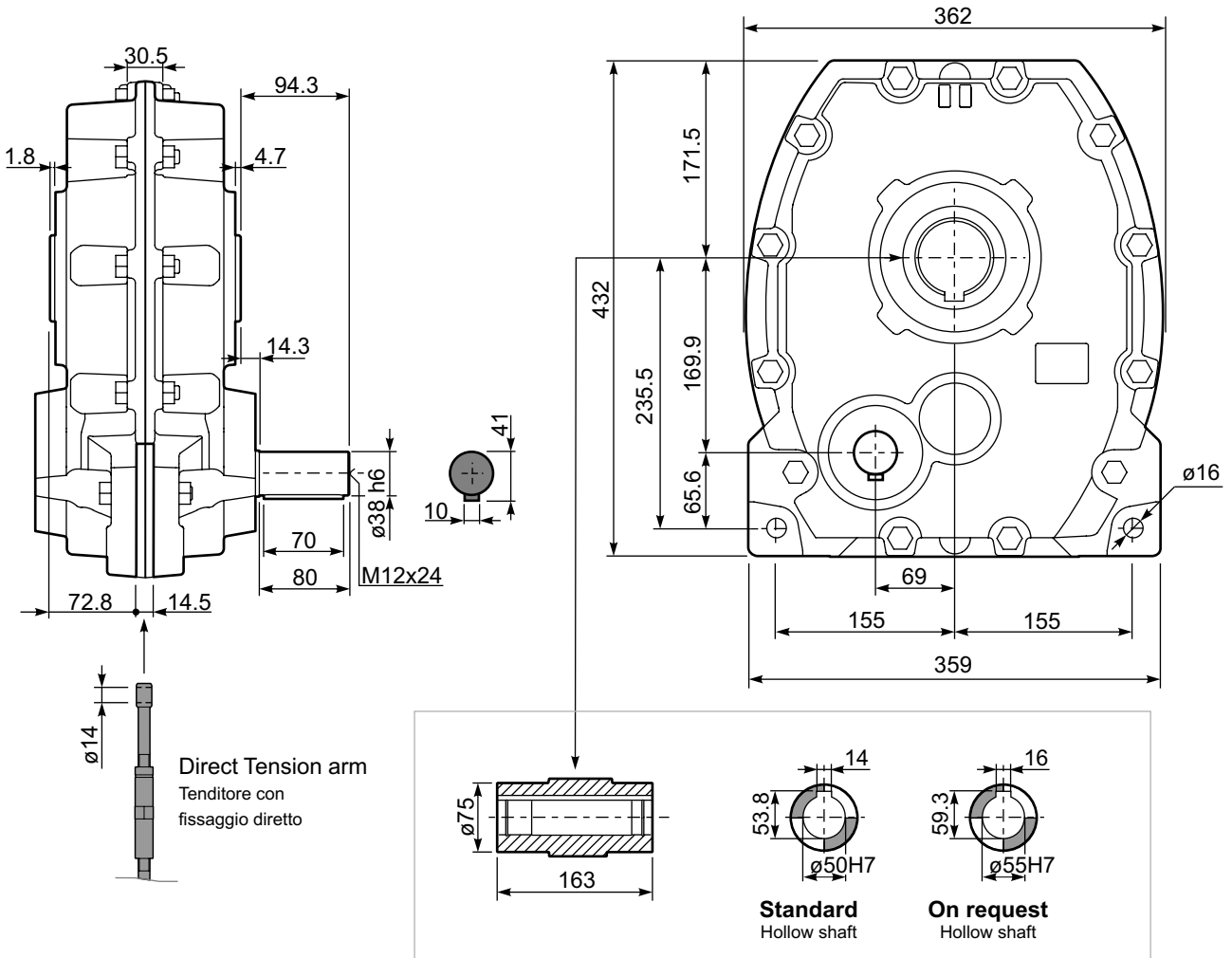
E El reductor tamaño **T82C** se suministra sin lubricante, provisto de tapones de respiración, nivel y descarga de aceite. El usuario puede utilizar aceite mineral, manteniendo los tapones existentes. Si prefiere utilizar aceite sintético deberá sustituir los tapones existentes por tapones ciegos. La prerreducción se suministra con tapones ciegos, lubricado de por vida con aceite sintético.
 Ver tabla 1, para cantidades y aceites recomendados.
 En la tabla 2, se encuentran las cargas radiales y axiales admitidas por el reductor.
 Para documentación completa, consultar nuestra Web.

D Das Getriebe der Baugröße **T82C** wird ohne Schmiermittel geliefert. Es ist jedoch mit Einfüllschraube, Überdruckventil und Ablassschraube ausgerüstet. Das benötigte mineralische Öl kann über die Einfüllschraube eingefüllt werden. Sollte synthetisches Öl bevorzugt werden, so ist sind das eingebaute Überdruckventil durch eine geschlossenen Schraube zu ersetzen.
 In Tabelle 1 ist die Schmiermenge und das empfohlene Schmiermittel angegeben
 In Tabelle 2 sind die zulässigen Radial - und Axialbelastungen des Getriebes aufgeführt.
 Die komplette Dokumentation, Wartungs - und Inbetriebnahmeanleitungen finden Sie unter.

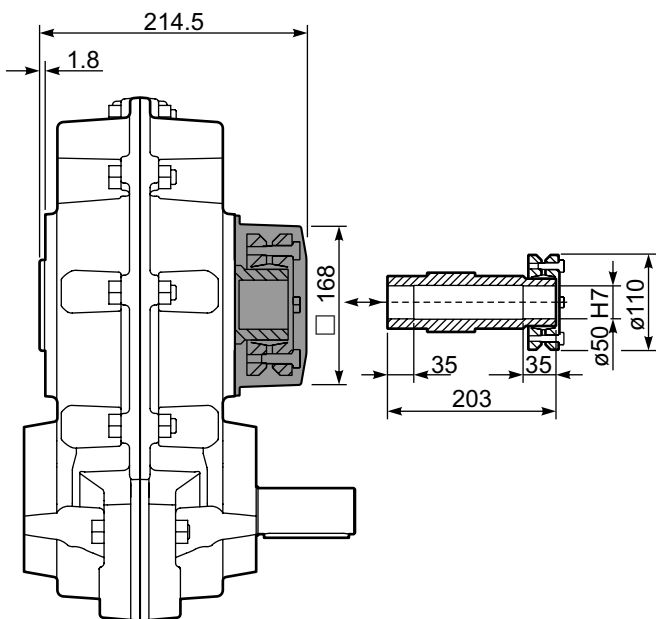
SELECT THIS TYPE AND THIS SPECIFIC SIZE ON THE WEB PAGES TO GET COMPLETE TECHNICAL DATA.
 Selezionare tipo e gandezza specifica nel sito web per la documentazione completa.

RT82C...**FB** Basic gearbox
Riduttore base

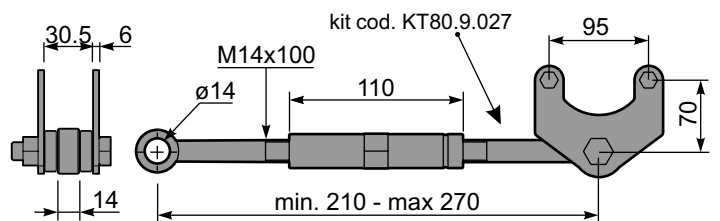
Gearbox weight
peso riduttore **69.0 kg**



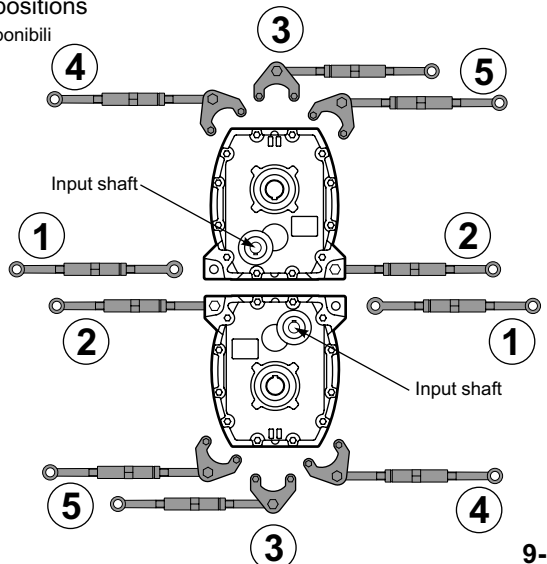
RT82C..**D** Shrink disk
Calettatore



RT82C..**BR** Tension arm with bracket
Tenditore con staffa di fissaggio

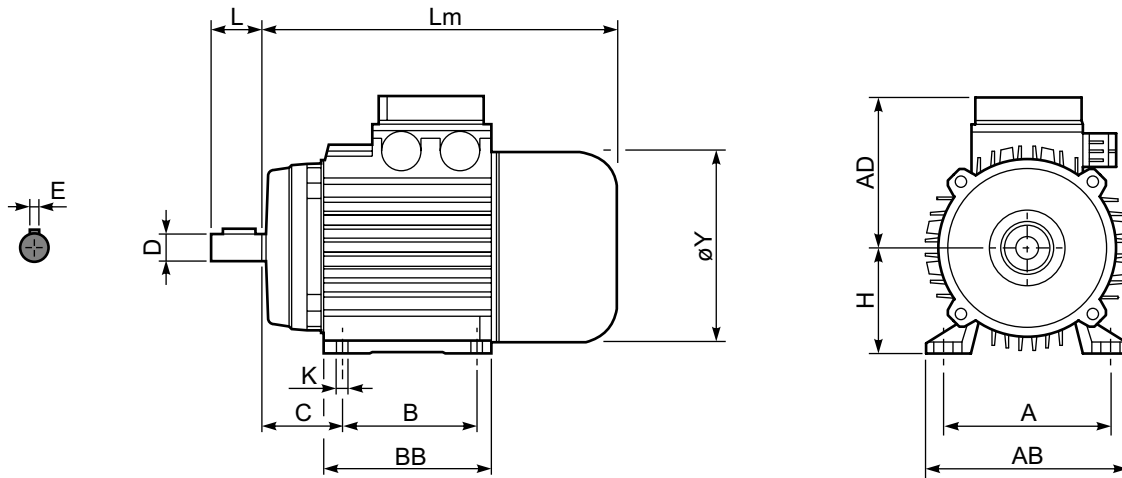


Available positions
Posizioni disponibili





B3



Outside dimensions may be different according to manufacturers.

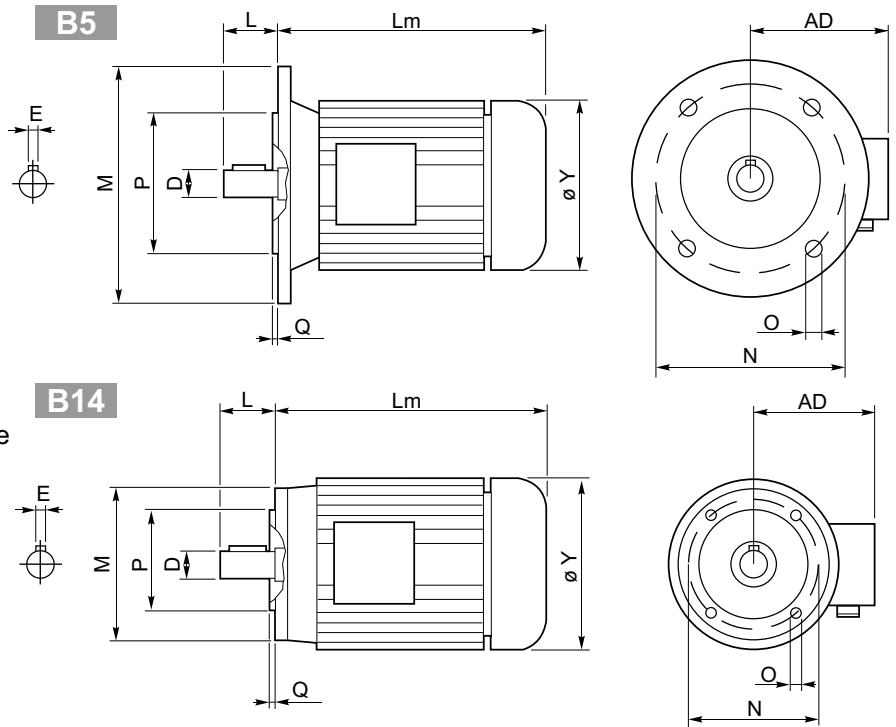
Le dimensioni esterne sono indicative, possono variare tra i vari costruttori.

	2 poli / poles			4 poli / poles			6 poli / poles			B3											Kg				
	kW	Nm	A (400V)	kW	Nm	A (400V)	kW	Nm	A (400V)	A	AB	AD	B	BB	C	D	E	H	K	L	Lm	øY	2 Poli 2 Poles	4 Poli 4 Poles	6 Poli 6 Poles
56 A	0.09	0.32	0.38	0.06	0.44	0.27	—	—	—	90	109	98	71	90	36	9	3	56	6	20	134	122	2.7	2.7	—
56 B	0.12	0.42	0.46	0.09	0.67	0.37	—	—	—														2.9	2.9	—
63 A	0.18	0.63	0.56	0.12	0.9	0.50	—	—	—	100	120	112	80	97	40	11	4	63	7	23	187	125	5.8	6.7	—
63 B	0.25	0.82	0.72	0.18	1.32	0.69	0.09	1.07	0.48														7.2	7.2	7.2
71 A	0.37	1.24	0.95	0.25	1.67	0.91	0.18	2.06	0.72	112	136	122	90	108	45	14	5	71	7	30	211	143	9.2	9.2	9.2
71 B	0.55	1.86	1.4	0.37	2.25	1.14	0.25	2.72	1														10.2	10	10
80 A	0.75	2.5	1.8	0.55	3.8	1.51	0.37	3.8	1.1	125	158	132	100	120	50	19	6	80	9	40	232	166	14	14.3	13.5
80 B	1.1	3.7	2.6	0.75	5	2.57	0.55	5.6	1.62														15.3	15.7	15
90 S	1.5	4.9	3.3	1.1	7.5	2.78	0.75	7.5	2.1	140	180	140	100	127	56	24	8	90	9	50	248	189	20	19	19
90 L	2.2	7.4	4.8	1.5	10	3.61	1.1	11.2	3				125	152							273		24	22	22.5
100 LA	3.0	10	6.1	2.2	14.8	5.07	1.5	15	3.6	160	202	167	140	176	63	28	8	100	12	60	307	215	29	31	30
100 LB	—	—	—	3.0	19.6	6.66	—	—	—														—	34.5	—
112 M	4.0	13.3	8.1	4.0	26.8	8.55	2.2	22.3	5.3	190	228	179	140	184	70	28	8	112	12	60	328	239	40	46	41
132 S	5.5	18.3	10.7	5.5	36.5	11.4	3.0	29.6	6.8	216	260	204	140	198	89	38	10	132	12	80	368	268	60	67	58
	7.5	24.9	14.3																				63		
132 M	9.2	30.5	18.1	7.5	48.5	15.0	4.0	40.3	9				178	236							406		68	76	70
	—	—	—	9.2	61.4	19	5.5	55	12																
160 M	—	—	—	11	72.5	21.5	—	—	—	254	310	245	210	272	108	42	12	160	15	110	486	322	—	120	—
160 L	—	—	—	15	97.5	29	—	—	—				254	316							530		—	140	—
180 M	—	—	—	18.5	122	35.5	—	—	—	279	350	265	241	308	121	48	14	180	15	110	553	366	—	190	—
180 L	—	—	—	22	147	42	—	—	—				279	346							591		—	217	—



- 1) 230/400V - 50Hz three-phase asynchronous induction motor
- 2) Class F insulation
- 3) S1 duty
- 4) IP 55 protection
- 5) Not painted
- 6) Hard plastic sleeve to protect output shaft during the transportation

- 1) 230/400V - 50Hz motore trifase asincrono
- 2) Isolamento Classe F
- 3) S1 servizio continuo
- 4) Protezione IP 55
- 5) Non verniciato
- 6) Manicotto di protezione per l'albero motore



Outside dimensions may be different according to manufacturers.
 Le dimensioni esterne sono indicative, possono variare tra i vari costruttori.

	2 poli / poles			4 poli / poles			6 poli / poles			B5-B14						B5					B14					Kg
	kW	Nm	A (400V)	kW	Nm	A (400V)	kW	Nm	A (400V)	D	E	L	Lm	Y	AD	P	N	M	O	Q	P	N	M	O	Q	
56 A	0.09	0.32	0.38	0.06	0.44	0.27	—	—	—	9	3	20	179	108	96	80	100	120	7	2.5	50	65	80	M5	2.5	2.7
56 B	0.12	0.42	0.46	0.09	0.67	0.37	—	—	—	9	3	20	179	108	96	80	100	120	7	2.5	50	65	80	M5	2.5	2.9
63 A	0.18	0.63	0.60	0.12	0.84	0.50	0.09	0.99	0.57	11	4	23	185	120	99	95	115	140	9.5	3	60	75	90	M5	2.5	3.8
63 B	0.25	0.87	0.76	0.18	1.30	0.69	0.12	1.32	0.74	11	4	23	185	120	99	95	115	140	9.5	3	60	75	90	M5	2.5	4.2
71 A	0.37	1.30	1.00	0.25	1.70	0.91	0.18	1.90	0.80	14	5	30	-	130	104	110	130	160	9.5	3.5	70	85	105	M6	2.5	5.9
71 B	0.55	1.90	1.54	0.37	2.52	1.14	0.25	2.72	1.10	14	5	30	225	141	107	110	130	160	9.5	3.5	70	85	105	M6	2.5	6.5
80 A	0.75	2.60	1.85	0.55	3.77	1.51	0.37	3.84	1.18	19	6	40	256	159	127	130	165	200	11.5	3.5	80	100	120	M6	3	8.5
80 B	1.1	3.90	2.64	0.75	5.11	2.57	0.55	5.84	1.80	19	6	40	256	159	127	130	165	200	11.5	3.5	80	100	120	M6	3	10
90 S	1.5	5.00	3.31	1.1	7.45	2.78	0.75	7.92	2.32	24	8	50	-	170	135	130	165	200	11.5	3.5	95	115	140	M8	3	12.5
90 L	2.2	7.50	4.46	1.5	10.2	3.61	1.1	11.6	3.45	24	8	50	280	170	135	130	165	200	11.5	3.5	95	115	140	M8	3	15
100 LA	3.0	10.0	6.28	2.2	14.8	5.07	1.5	15.4	3.88	28	8	60	-	190	148	180	215	250	13	4	110	130	160	M8	3.5	20
100 LB	—	—	—	3.0	20.1	6.66	—	—	—	28	8	60	-	190	148	180	215	250	13	4	110	130	160	M8	3.5	22
112 M	4.0	13.4	8.10	4.0	26.7	8.55	2.2	22.6	5.30	28	8	60	321	210	164	180	215	250	13	4	110	130	160	M8	3.5	35
132 S	5.5	18.3	11.2	5.5	36.5	11.4	3.0	30.2	7.20	38	10	80	375	—	—	—	—	—	—	—	—	—	—	—	—	41
	7.5	24.9	15.3	7.5	49.4	15.0	4.0	40.0	9.13	38	10	80	—	244	180	230	265	300	14	4	130	165	200	M10	4	51
132 M	—	—	—	7.5	61.4	18.5	—	—	—	38	10	80	420	—	—	—	—	—	—	—	—	—	—	—	—	51
160 M	—	—	—	11	72	21.5	—	—	—	42	12	110	503	335	246	250	300	350	18	5	—	—	—	—	—	79.2
160 L	—	—	—	15	98	29	—	—	—	42	12	110	547	335	246	250	300	350	18	5	—	—	—	—	—	97.5
180 M	—	—	—	18.5	121	35.5	—	—	—	48	14	110	602	366	266	250	300	350	19	5	—	—	—	—	—	170
180 L	—	—	—	22	144	42	—	—	—	48	14	110	602	366	266	250	300	350	19	5	—	—	—	—	—	170



Metric electric motors are in aluminum.
 On request they can be supplied with different Level of protection and painted with 2 or 3 level of anticorrosive paint.

I motori metrici sono in alluminio,
 su richiesta possono essere forniti con differenti livelli di protezione e verniciati con vernice anticorrosiva.



Protection

Standard IP55
Please specify on purchase orders if you need a higher IP protection class.

Grado di protezione

IP55 Standard
Specificare in sede di ordinazione per IP superiore.

Schutzart

IP55 Standard.
Höheren IP Grad bitte im Auftrag angeben.

Grado de protección

IP55 standard.
Especificar en el pedido cuando necesiten protección IP superior.

Insulation

Standard Cl.F
To be specified upon placing the order if different insulation is required.

Isolamento

Cl.F Standard
Specificare in sede di ordinazione classe di isolamento diversa

Isolierung

Cl.F Standard.
Davon abweichende Isolierungsklas se im Auftrag angeben

Aislamiento

Cl.F standard.
Especificar al efectuar el pedido la clase diferente de aislamiento.

Insulation / Isolamento Isolierung / Aislamiento		E	B	F	H
Max. temp.	C°	120°	130°	155°	175°
	F*	248°	266°	311°	347°

Connections

Collegamenti

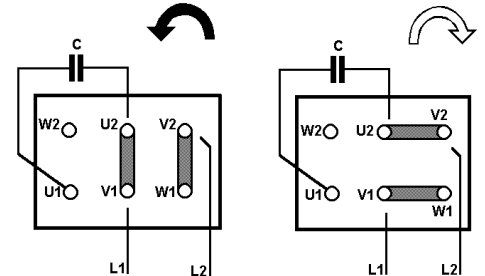
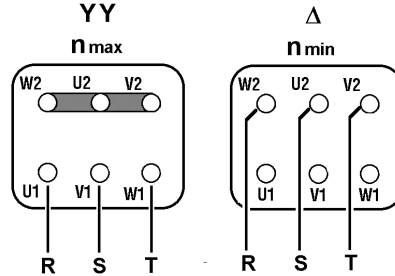
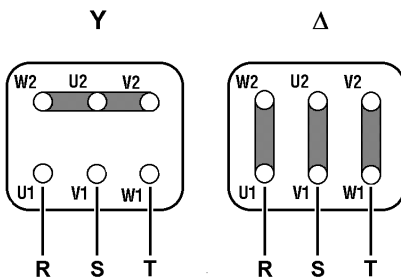
Verbindungselemente

Conexiones

Threephase asynchronous single polarity
Asincrono trifase singola polarità
Asynchronmotor 3-ph eine Drehzahl
Asincrono trifasico de una velocidad

Threephase asynchronous double polarity
Asincrono trifase doppia polarità
Asynchronmotor 3-ph doppelte Drehzahl
Asincrono trifasico de dos velocidades

Single phase asynchronous
Asincrono monofase
Einphasen-Asynchronmotor
Asincrono monofasico



Terms and Conditions

- In the interests of safety, customers are reminded that when purchasing any technical product for use at work (or otherwise), any additional or up-to-date information and guidance, which it has not been possible to include in the publication, should be obtained by you from your local sales office in relation to the suitability and the safe and proper use of the product. All relevant information and guidance must be passed on by you to the person engaged in, or likely to be affected by or responsible for the use of the product
- The performance levels and tolerances of our product stated in this catalogue (including without limitation, serviceability, wearlife, resistance to fatigue, corrosion protection) have been verified in a programme of testing and quality control in accordance with Renold, independent and/or international standard recommendations. No representations or warranties are given that our product shall meet the stated performance levels or tolerances for any given application outside the performance levels and tolerances for the product's own specific application and environment.

- Whilst all reasonable care in compiling the information contained in this catalogue is taken, no responsibility is accepted for errors.
- All information contained in this catalogue is subject to change without notice.
- The illustrations used in this catalogue represent the type of product described but the goods supplied may vary in some detail from those illustrated.
- The right is reserved to make modifications to the product to meet manufacturing conditions and/or developments (for example in design or materials).
- Product can be supplied by Renold companies or representatives around the world on the standard terms and conditions of sale of the company or representative from which the product is purchased.
- Copyright Renold Power Transmission Limited 2001. All rights reserved.

Nothing contained in this publication shall constitute a part of any contract, express or implied.

RENOLD

A global power transmission group serving global markets through an international network.

For your local Renold sales and service location visit www.renold.com

Superior Technology. Global Expertise.

www.renold.com

gears.sales@renold.com



REN54/CATRF/12.15/E
A Business of Renold Power Transmission Ltd.

RENOLD
Superior Gear Technology