

**REN-TEK DC
HYDRAULIC POWER PACKS**

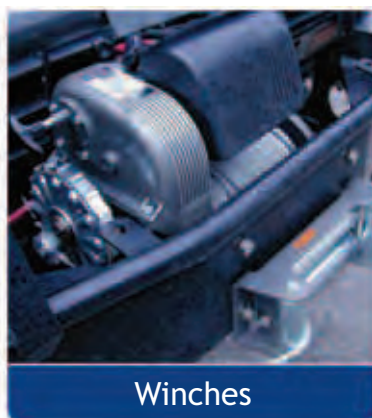
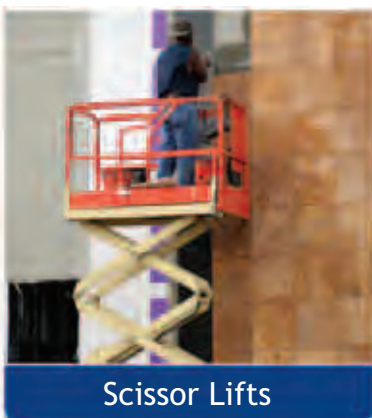
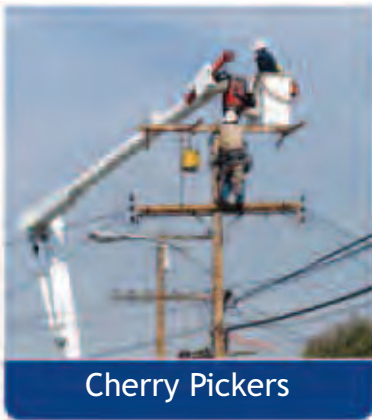


REN-TEK DC

Hydraulic Power Pack Applications:

Features

- Electric motors fitted with thermal cutouts as standard
- Compact Design Solutions
- Hi-Lo Pump Options
- Double Pump Options
- Pendant Controls



Content



Product / Model Codes

Standard Power Packs	2
Mini Power Packs	4
Hi-Low Power Packs	6
Double Pumps	8
Tail Gate Systems	10
Cargo and Wheel Chair Packs	12
Additional Options / Features	14

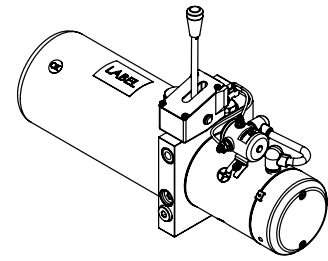
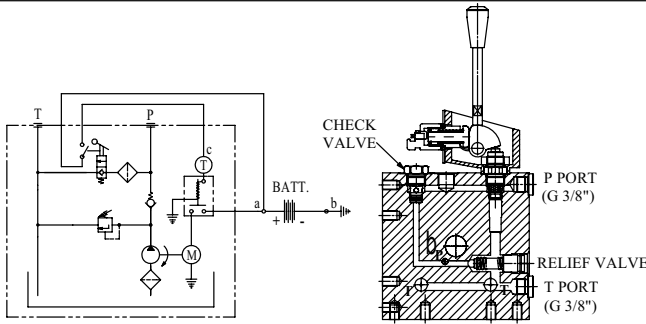
Technical Specifications

Motor Performance Curves	16
Manifolds	26
Valve Adaptors	28
P Type Gear Pumps	29
Hand Pumps	30
Round Tanks	31
Square Tanks	33
Round Tanks (Mini)	35
Valves	36

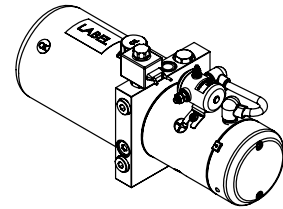
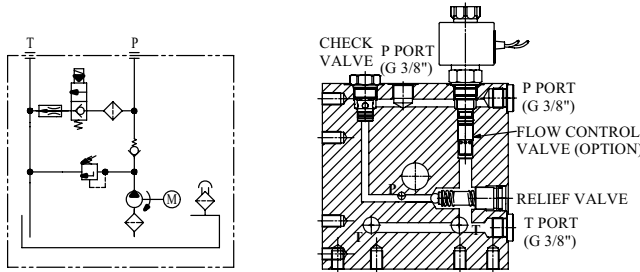
The manufacturer reserves the right to change the technical specifications without notice.

Series	W80D
--------	------

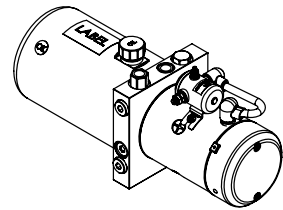
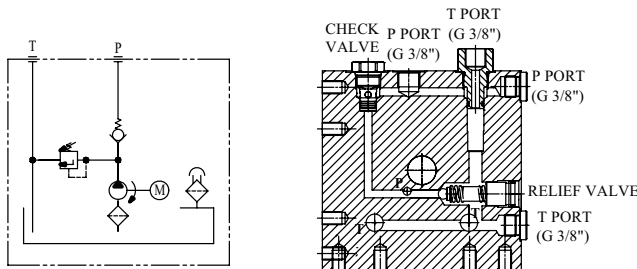
MR Type Manually Operated



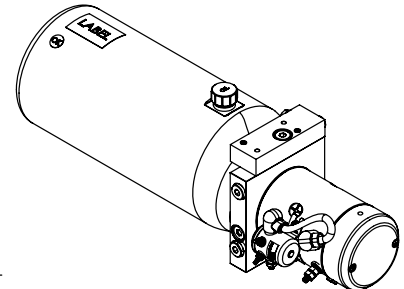
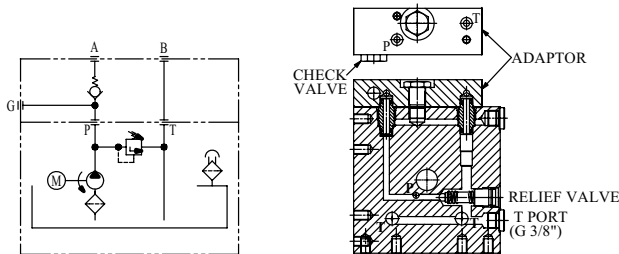
S Type Solenoid Lowering



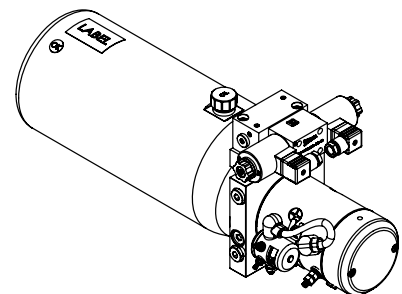
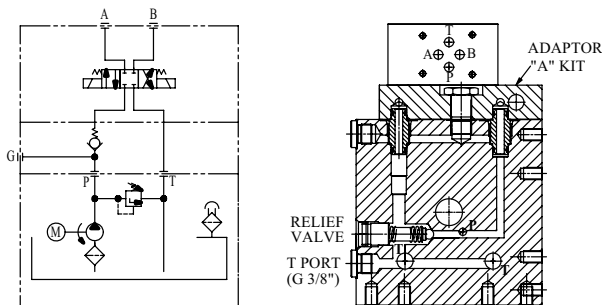
N Type Pack Only



A Type Pack with Adaptor Block



A Type + Cetop 03 Pack with Adaptor Block & Cetop 3 Interface Block



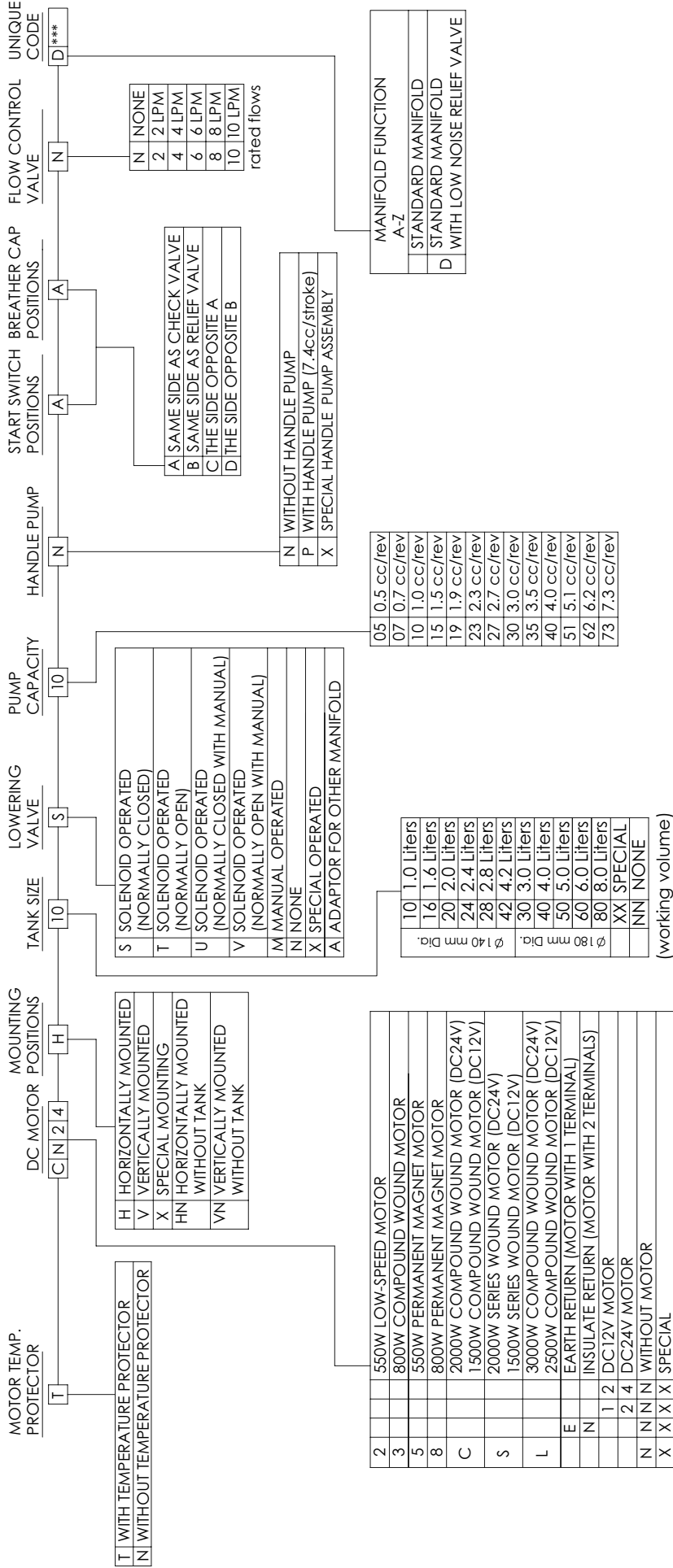
The W80D series power pack is designed for a wide range of applications, which include:

- * DC motors range from 0.55KW to 3.0KW; 12 volt and 24 volt.
- * Pump capacity range from 0.5cc/rev to 7.3cc/rev.
- * Standard tank sizes from 1.0L to 8.0L (round), 10L to 20L (rectangle. Custom designs available.
- * Hydraulic circuit build up using Cetop 3 stackable system. Custom designs available.

Before the power packs leave the factory they are fully inspected and tested to ISO9001
For further technical, design and sales information please contact us.

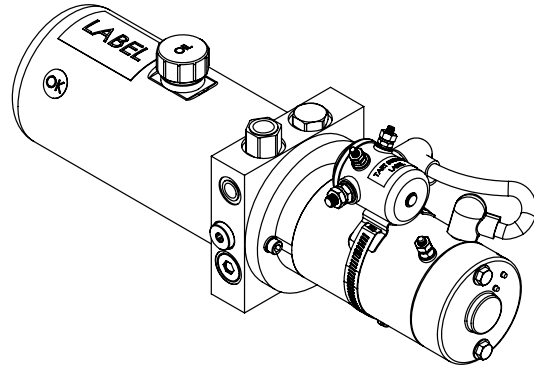
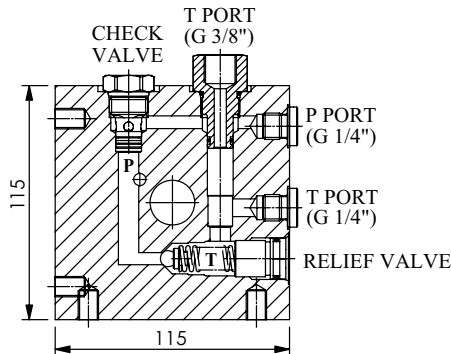
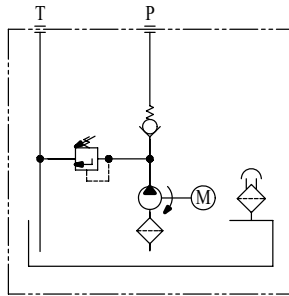
MODEL CODES - SERIES W80D

STANDARD DC MOTOR HYDRAULIC POWER PACKS (W800532 [152X152] STEEL MANIFOLD/ 140 & 180 TANKS)

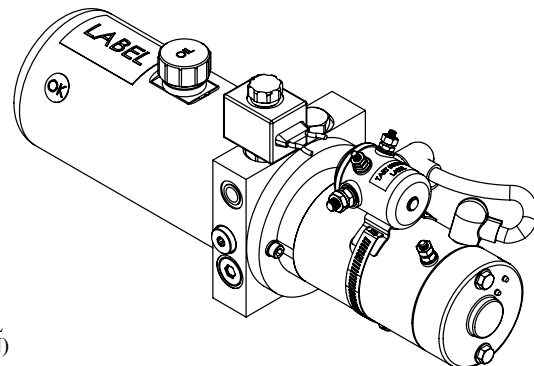
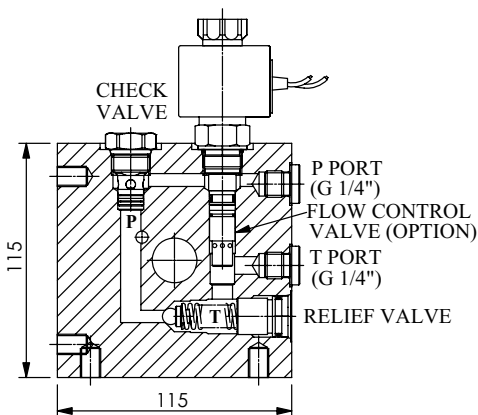
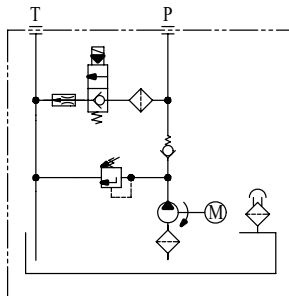


Series	W81D
--------	------

N Type Pack Only



S Type Solenoid Lowering



The W81D mini power pack series is designed for a wide range of applications, which include:

- * DC motors range from 0.55KW to 3.0KW; 12 volt and 24 volt.
- * Tank sizes from .5L to 1.7L.
- * Pump capacity range from 0.5cc/rev to 7.3cc/rev.

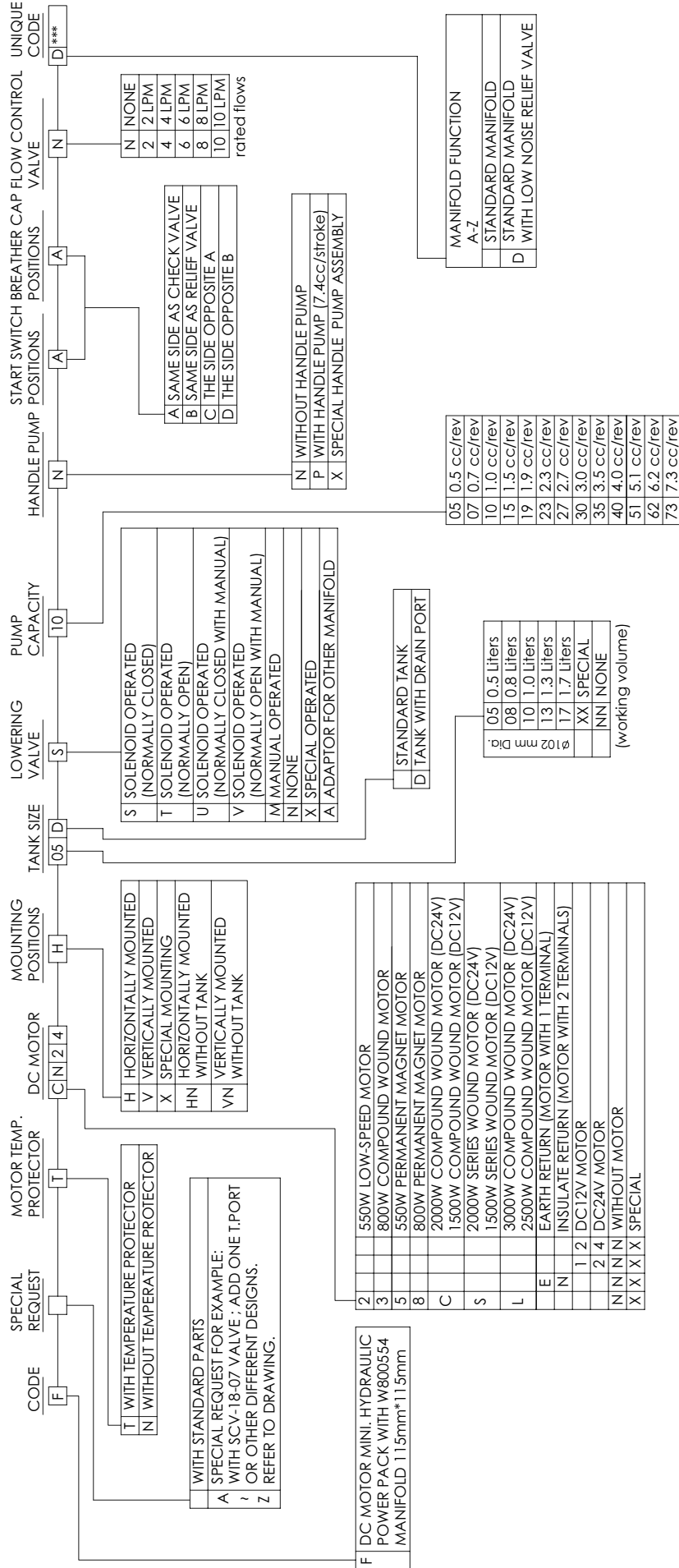
“Space saving design”. The power pack is only 115mm x 115mm.

Before the power packs leave the factory they are fully inspected and tested to ISO9001

For further technical, design and sales information please contact us.

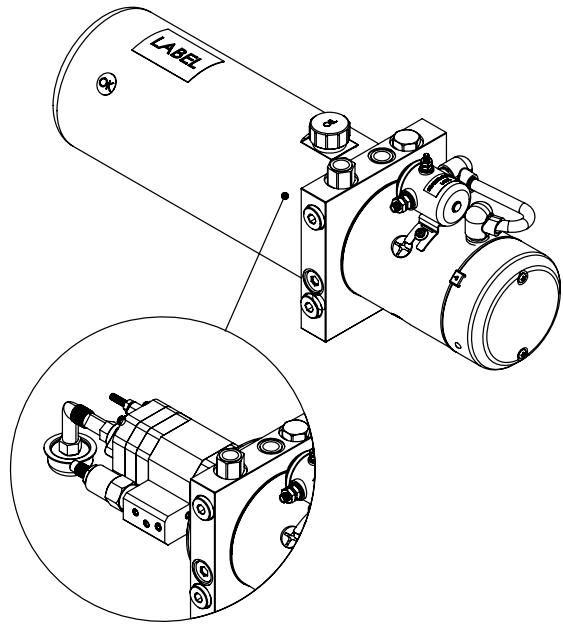
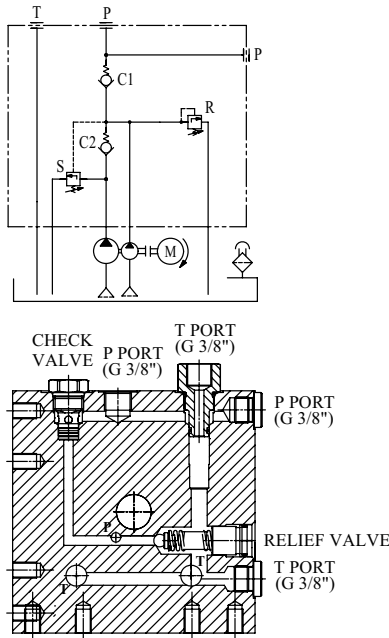
MODEL CODES - SERIES W81D

DC MOTOR MINI HYDRAULIC POWER PACKS (W800554 [115X115] STEEL MANIFOLD/ 102 TANKS)

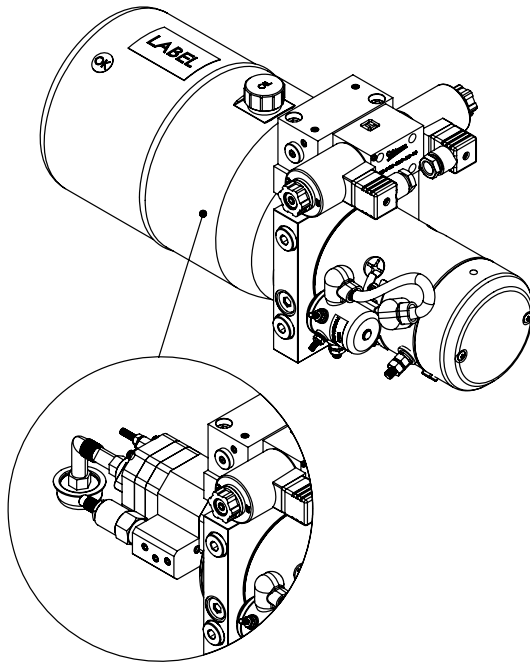
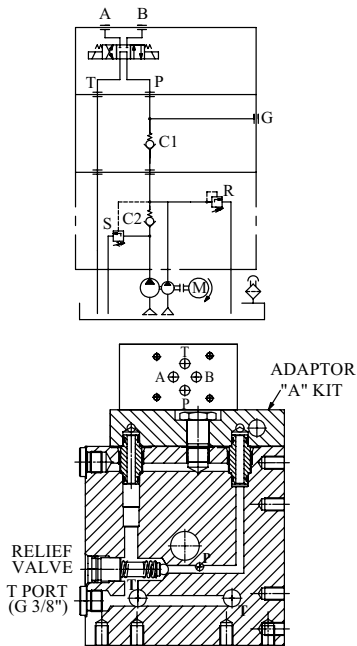


Series	W84D
--------	------

N Type Pack Only



A type + Cetop 03



The W84D series power pack is designed for applications that need high pressure and high flows using a DC motor and double pump combination.

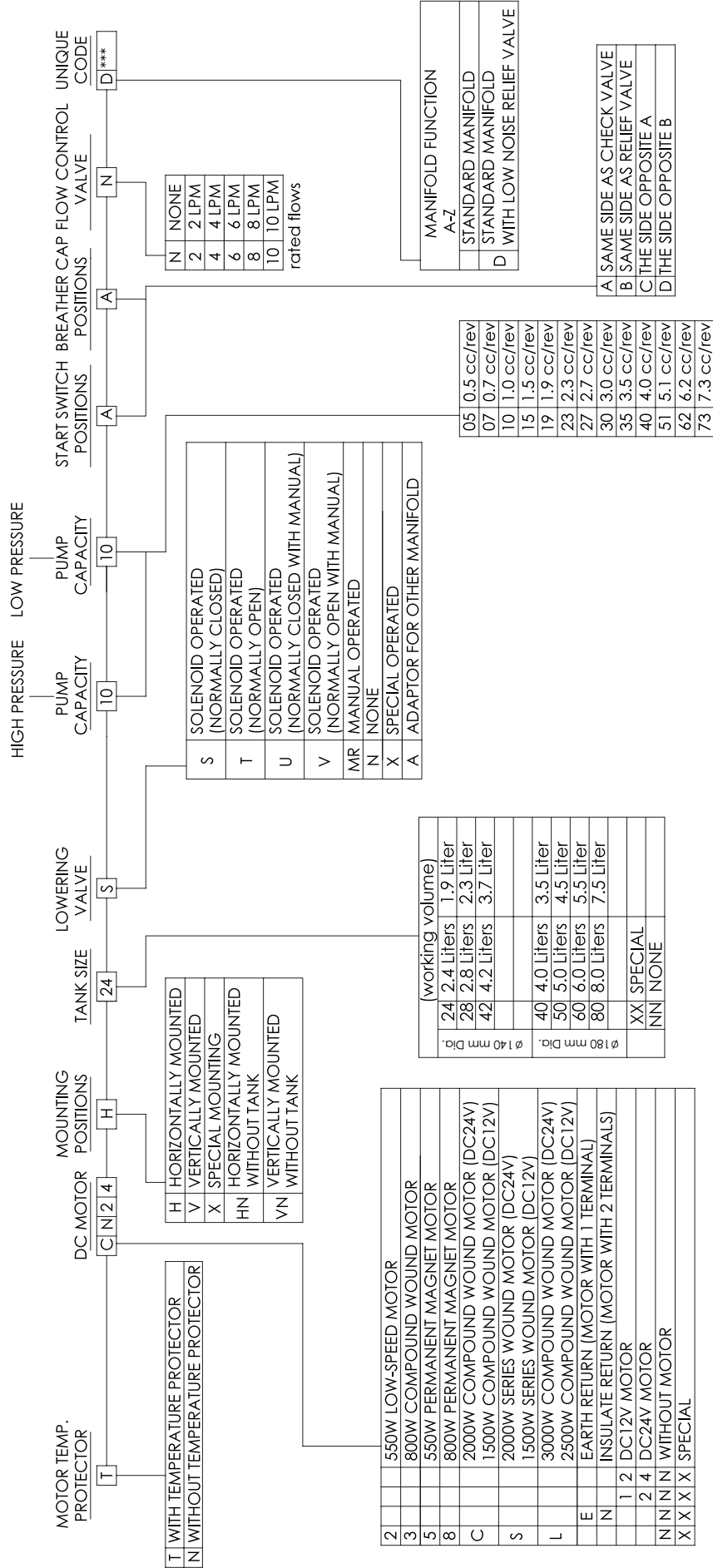
- * DC motors range from 0.55KW to 3.0KW; 12 volt and 24 volt.
- * Pump capacity range from 0.5cc/rev to 7.3cc/rev.
- * Standard tank sizes from 1.0L to 8.0L (round), 10L to 20L (rectangle. Custom designs available.
- * Hydraulic circuit build up using Cetop 3 stackable system. Custom designs available.

Before the power packs leave the factory they are fully inspected and tested to ISO9001
For further technical, design and sales information please contact us.

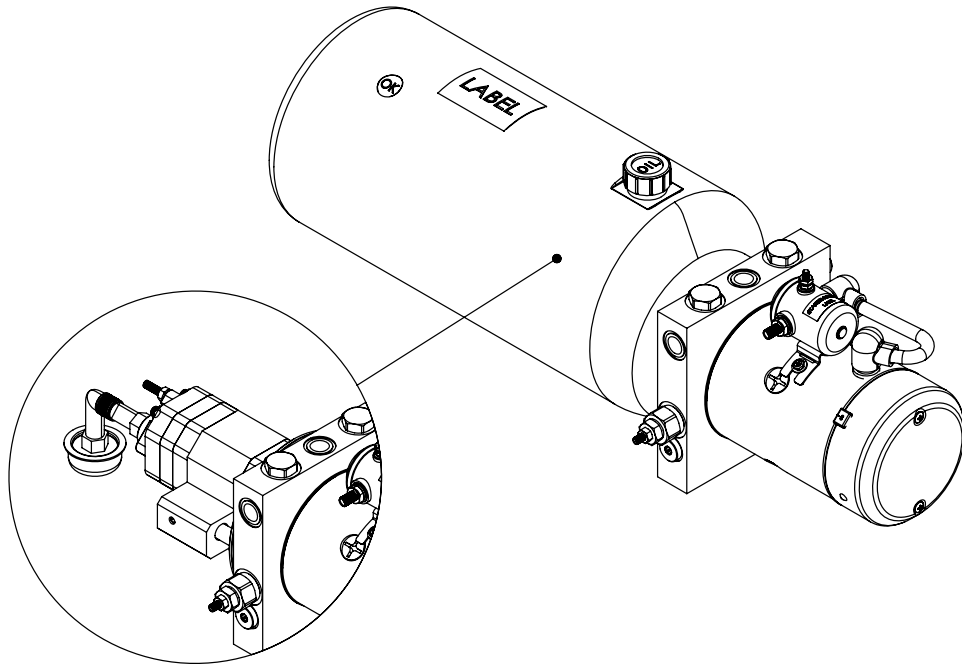
Note: The low pressure relief valve must be pre-set before installing tank.

MODEL CODES - SERIES W84D

"Hi-Lo Pressure, Two Pumps" DC Motor Hydraulic Power Packs (W800532 [152X152] Steel Manifold/ 140 & 180 Tanks)

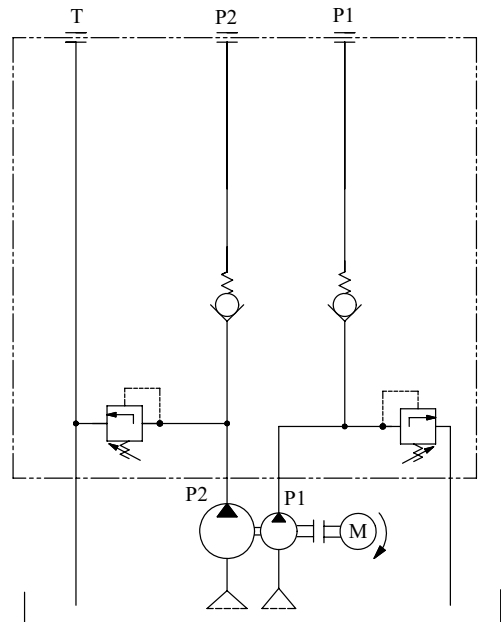
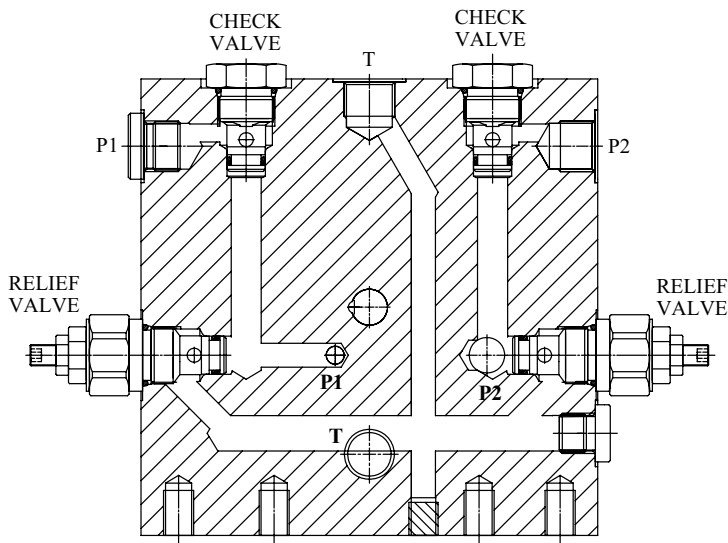


Series	W85D
--------	------



"Double-Pumps" Hydraulic Valves Diagram

"Double-Pumps" Hydraulic Schematic



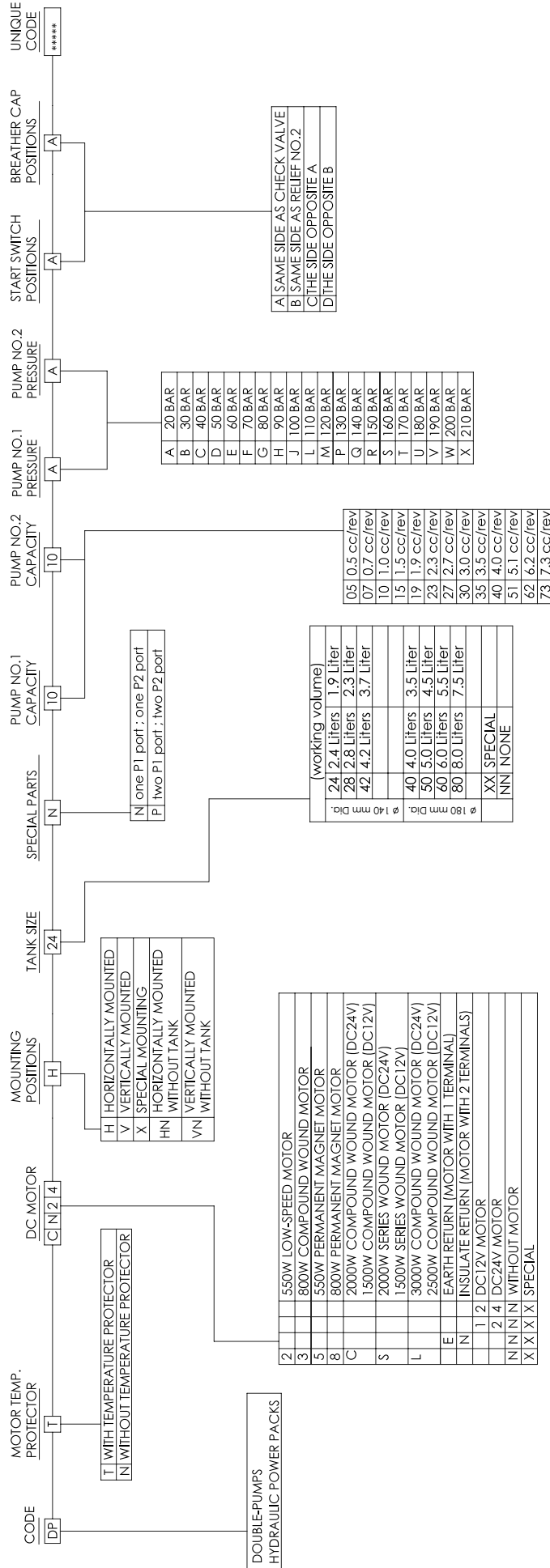
The W85D series power pack is designed for applications that need two independent hydraulic power supplies whilst only using a single DC motor.

- * DC motors range from 0.55KW to 3.0KW; 12 volt and 24 volt.
- * Pump capacity range from 0.5cc/rev to 7.3cc/rev.
- * Standard tank sizes from 2.4L to 8.0L. Custom designs available.
- * Hydraulic circuit build up using Cetop 3 stackable system. Custom designs available.

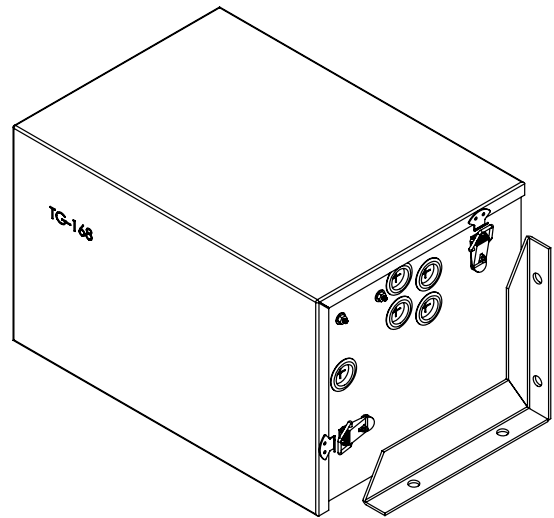
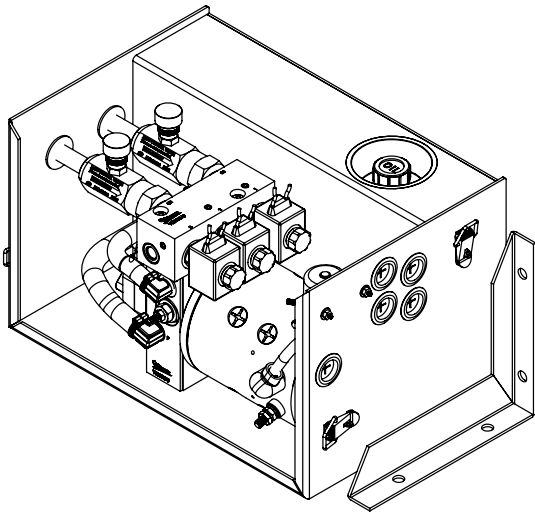
Before the power packs leave the factory they are fully inspected and tested to ISO9001
For further technical, design and sales information please contact us.

MODEL CODES - SERIES W85D

"DOUBLE PUMPS" DC MOTOR HYDRAULIC POWER PACKS (W800552 [152X152] STEEL MANIFOLD/ 140 & 180 TANKS)

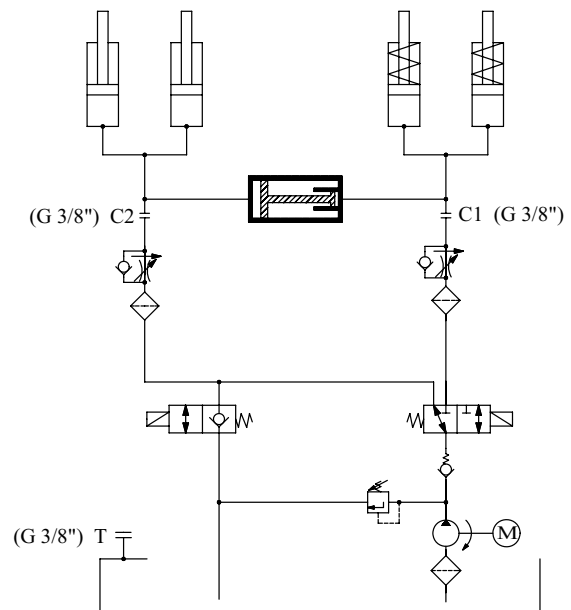
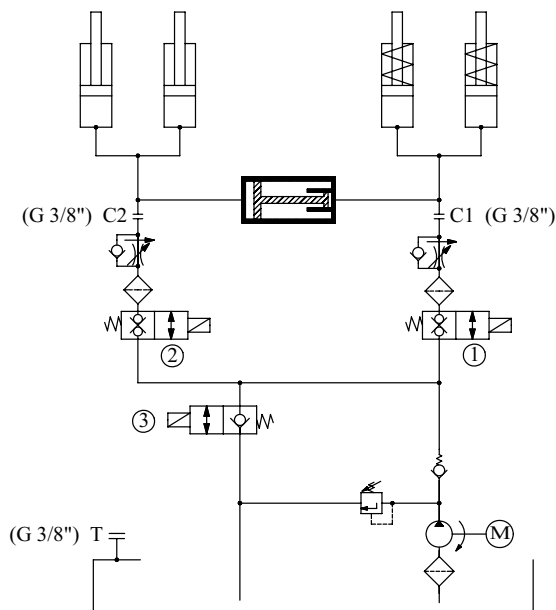


Series	TG168
--------	-------



"Tail-Gate" Hydraulic Schematic (A)

"Tail-Gate" Hydraulic Schematic (B)



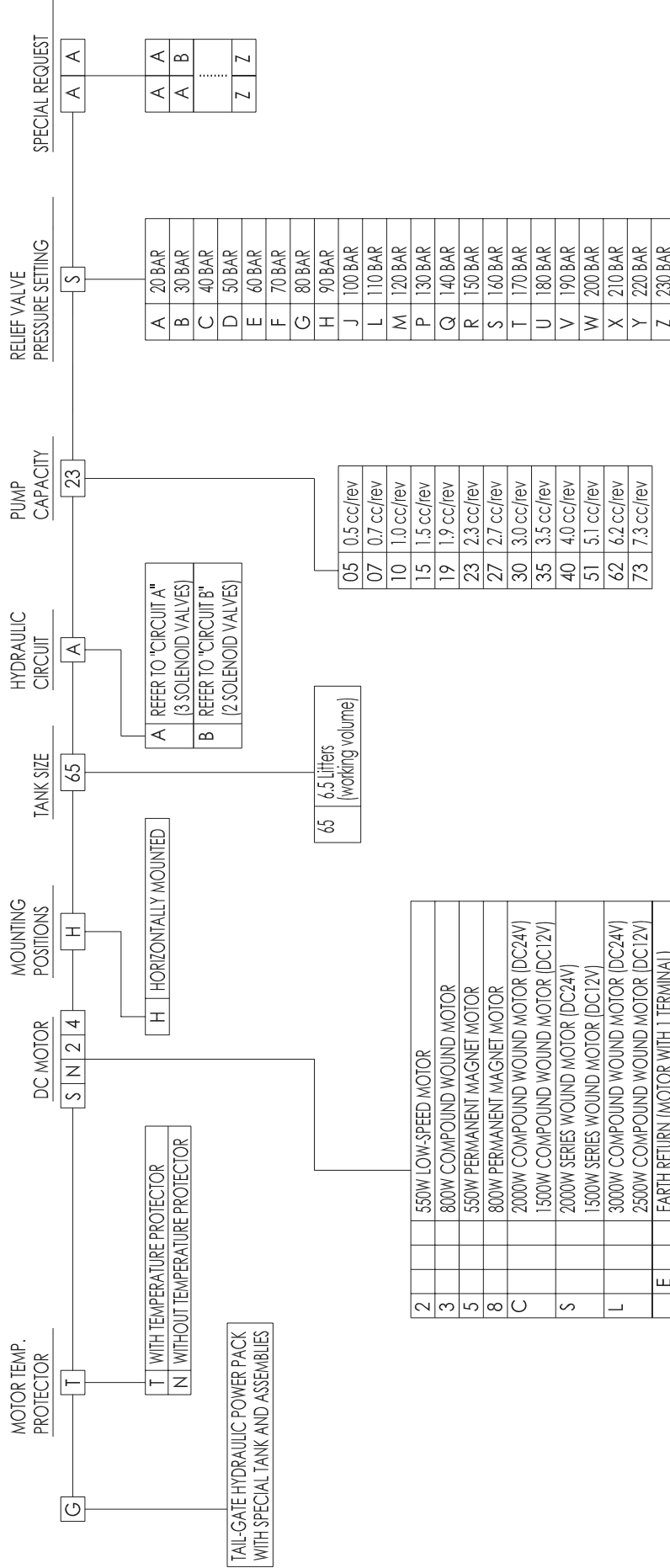
The TG-168 series power pack is designed "Tail-Gate Loading applications". This unit is housed in a protective cover and only requires connection of fittings and wires. Sequence valves inbuilt.

- * Ease of installation and service.
- * Space and cost efficiency.

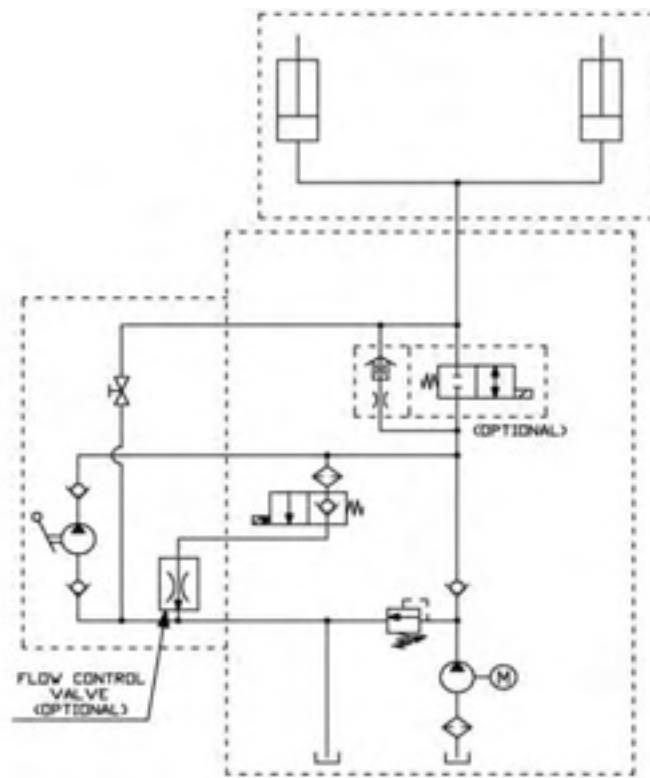
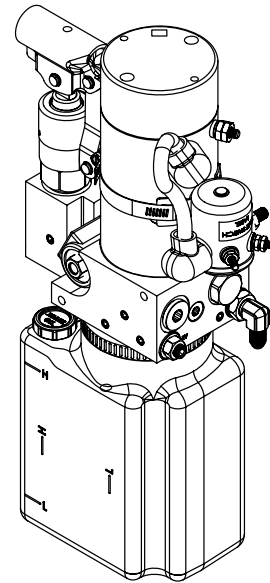
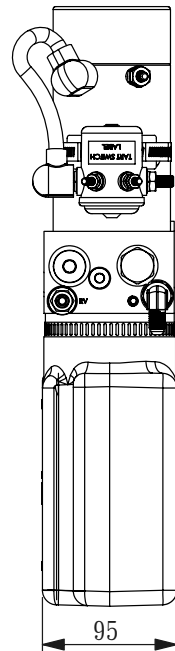
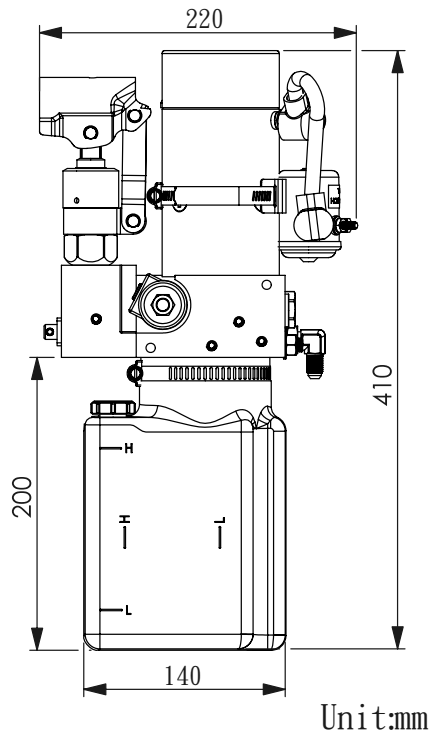
Before the power packs leave the factory they are fully inspected and tested to ISO9001
For further technical, design and sales information please contact us.

MODEL CODES - SERIES TG168

"TAIL-GATE" DC MOTOR HYDRAULIC POWER PACKS (W800575 ALUMINIUM MANIFOLD / 6.5LITERS TANK)



Series **WL214**



Hydraulic Circuit

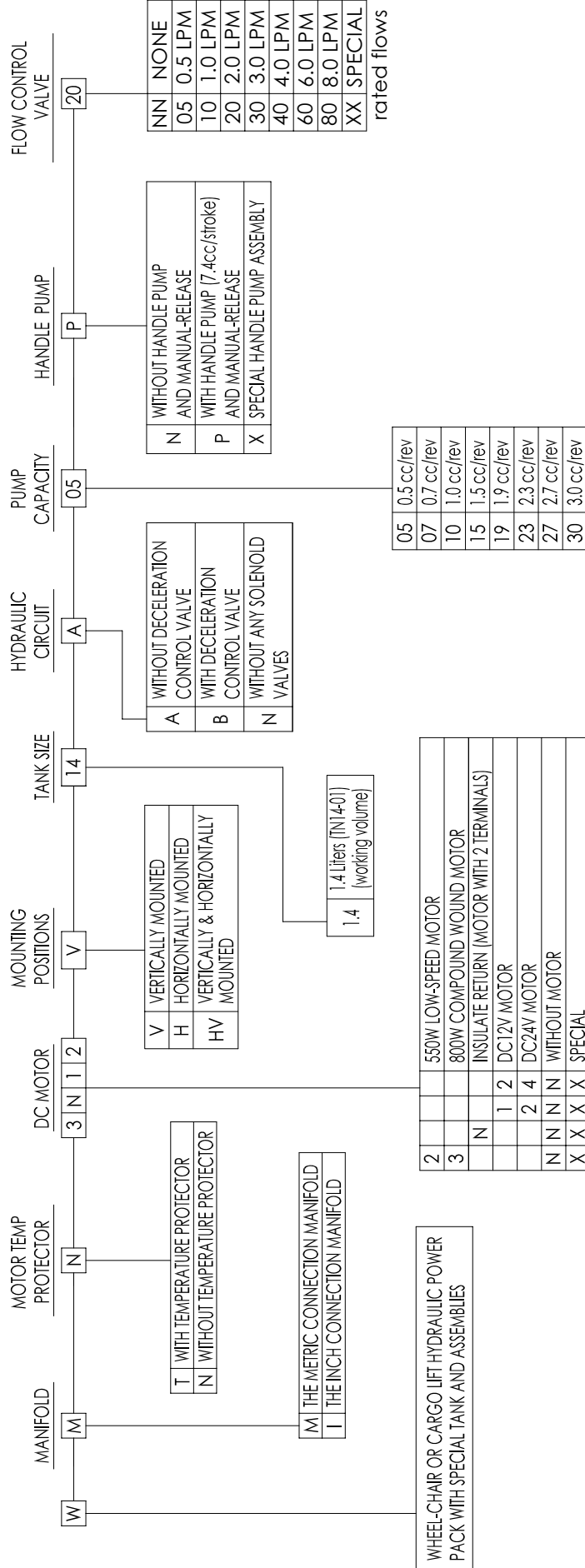
The WL-214 series power pack is designed "Wheelchair or Cargo Lifts". This unit is housed in a protective cover and requires only connection of fittings and wires. This compact design allows for:

- * Ease of installation and service.
- * Space and cost efficiency.

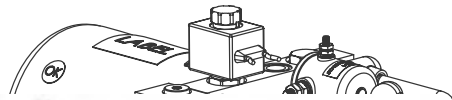
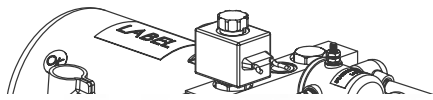
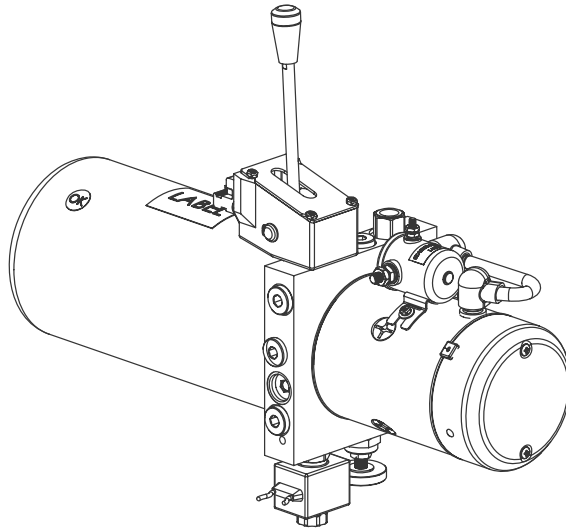
Before the power packs leave the factory they are fully inspected and tested to ISO9001
For further technical, design and sales information please contact us.

MODEL CODES - SERIES WL214

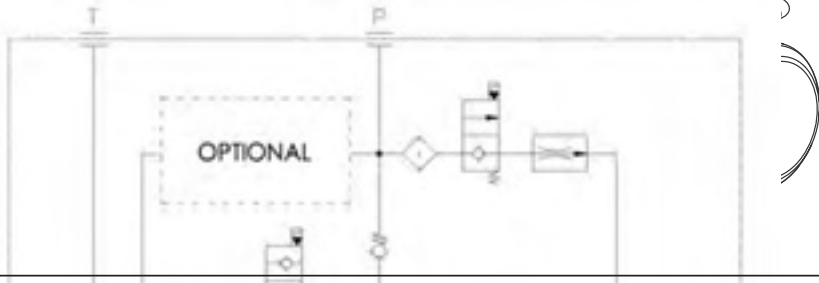
"WHEELCHAIR OR CARGO LIFT" DC MOTOR HYDRAULIC POWER PACKS (W800577-6 ALUMINIUM MANIFOLD / 1.4L PLASTIC TANK)



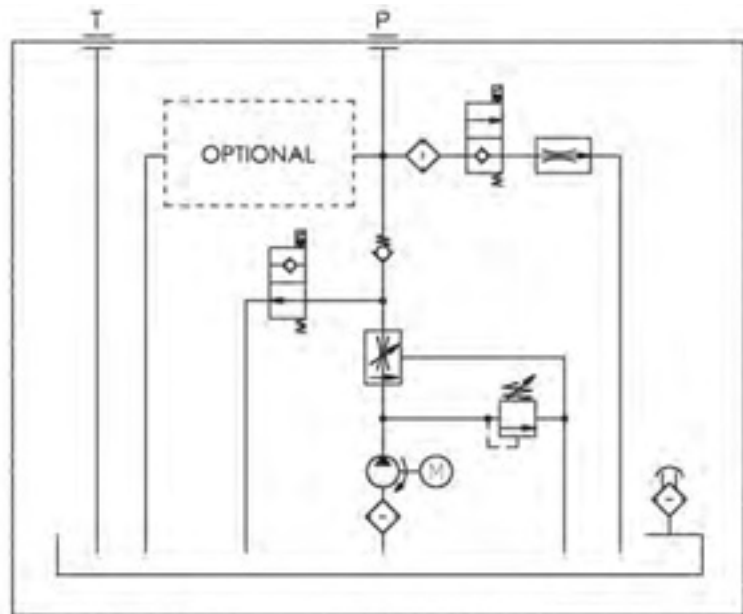
Series **W87D**



OPTIONAL	
TYPE	SCHEMATIC
P	
X	



OPTIONAL	
TYPE	SCHEMATIC
P	
X	
S	



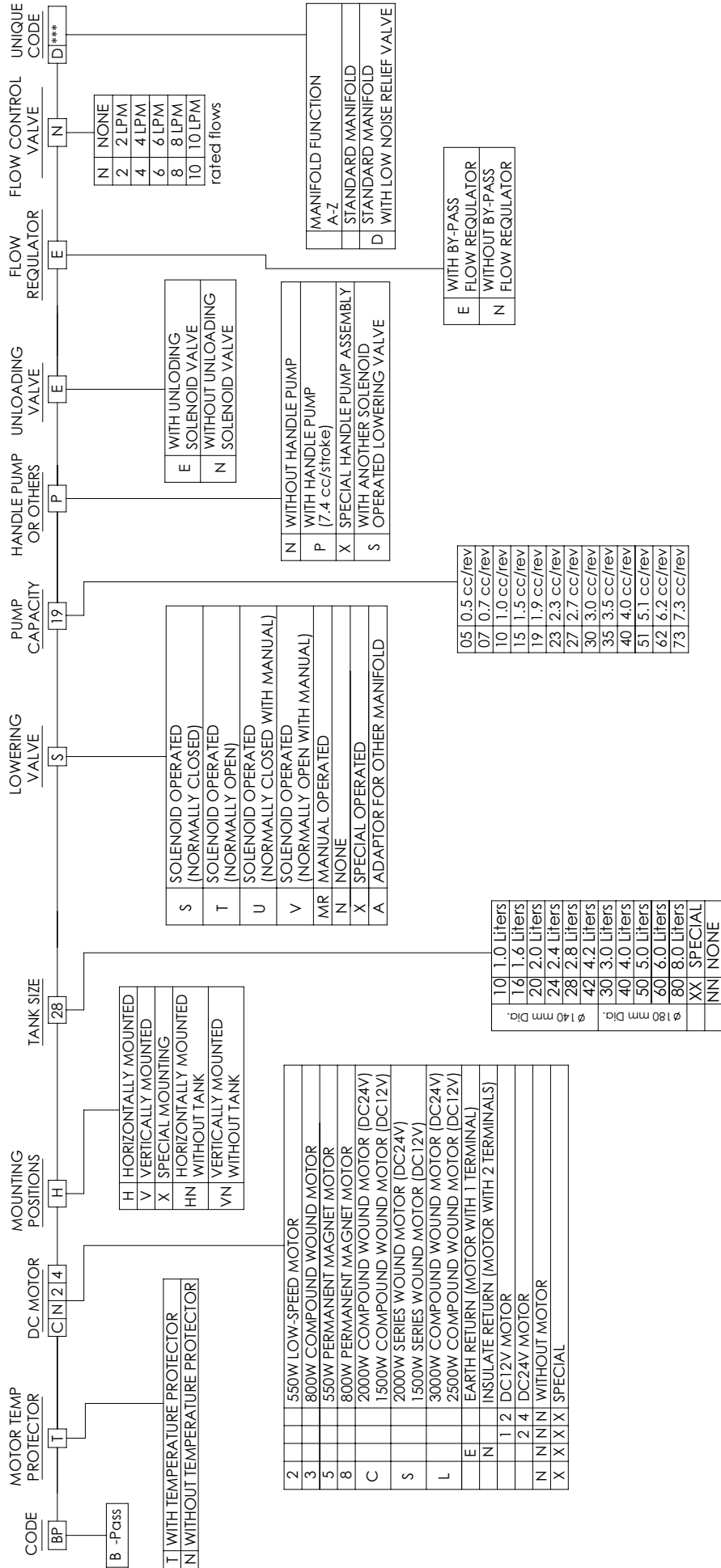
The W87D series power pack is designed for several applications which include:

- * DC motors range from 0.55KW to 3.0KW; 12 volt and 24 volt.
- * Pump capacity range from 0.5cc/rev to 7.3cc/rev.
- * Standard tank sizes from 1.0L to 8.0L (round), 10L to 20L (rectangle). Custom designs available.
- * Options: Handpump, Hi Lo speed solenoid lowering valves, adjustable outputs, bypass valves.

Before the power packs leave the factory they are fully inspected and tested to ISO9001
For further technical, design and sales information please contact us.

MODEL CODES - SERIES W87D

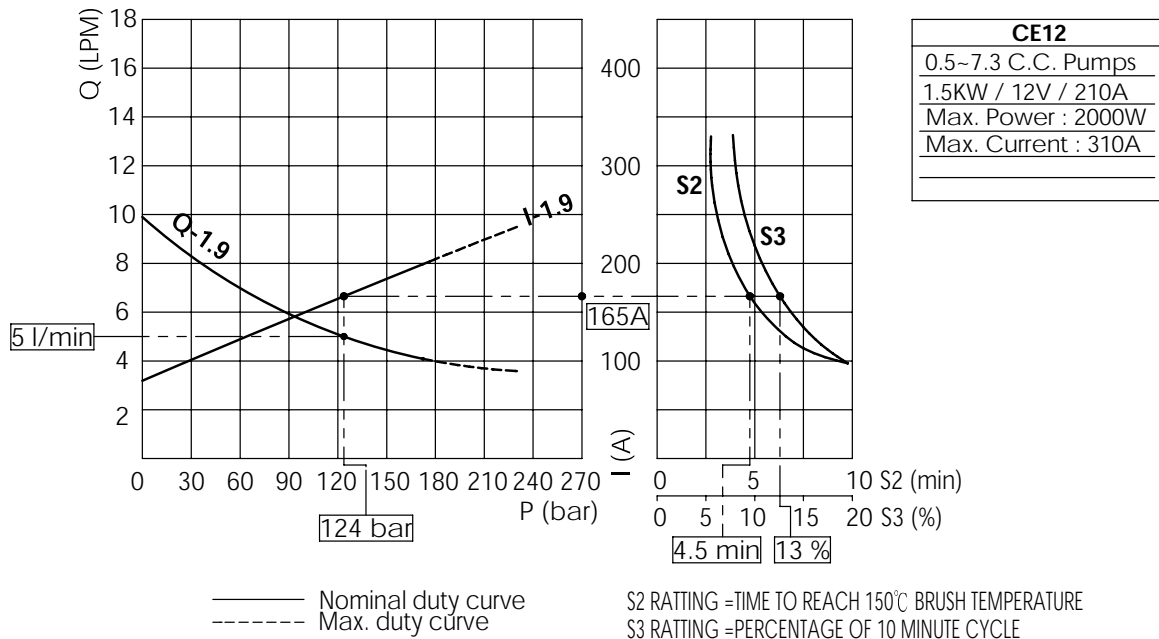
W87D SERIES STANDARD DC MOTOR HYDRAULIC POWER PACKS (W800536-1 STEEL MANIFOLD / 140 & 180 TANKS)



The selection of DC motors and electro-hydraulic pumps is based on the type of duty required. The output power is subject to the temperature reached by the motor.

When the required pressure, flow and available voltage (12 or 24V DC) are known, select the motor by using the diagram below. If a pump displacement is available at the intersection of pressure and flow valves the electrical current can be obtained on the "I" curve.

Example:



For this application we have the following data:

flow=5 l/min, max. pressure=124bar, not clearly defined cycle.

Please check the above diagrams and see if there is a pump available. When the intersection point is not on a pump curve, choose the closest intersection pump.

Using a pump of Q-1.9: (a 1.9 c.c./rev pump) On the "I" curve we read that a 165A current is known. With these conditions on the S2/S3 diagram note that :
 S2=4.5 minutes ; S3=13%.

If S2 and S3 valves are not enough for a required cycle, choose a bigger motor and repeat the calculation on the new motor curves.

Short time-duty type : S2

Operation at constant load, of short duration, without thermal equilibrium being reached. A no load period follows, sufficient for the motor to return to ambient temperature.

Example: S2=4.5minutes

The motor runs continuously for 4.5 minutes, and stops a time sufficient to return to ambient temperature.

Intermittent periodic-duty type : S3

Operations which consist of a sequence of uniform cycles (duty cycle 10 minutes) consisting of a period at constant load and a no load period.

Example: S3=13%

The motor runs 1.3 minutes and stops 8.7 minutes.

Ordering Code: **CE(N)12**

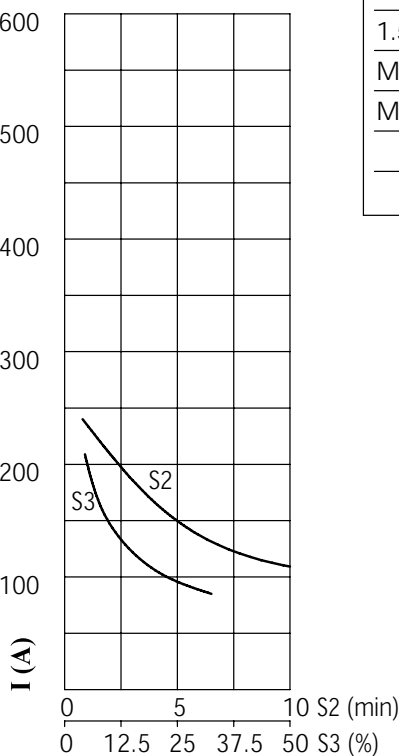
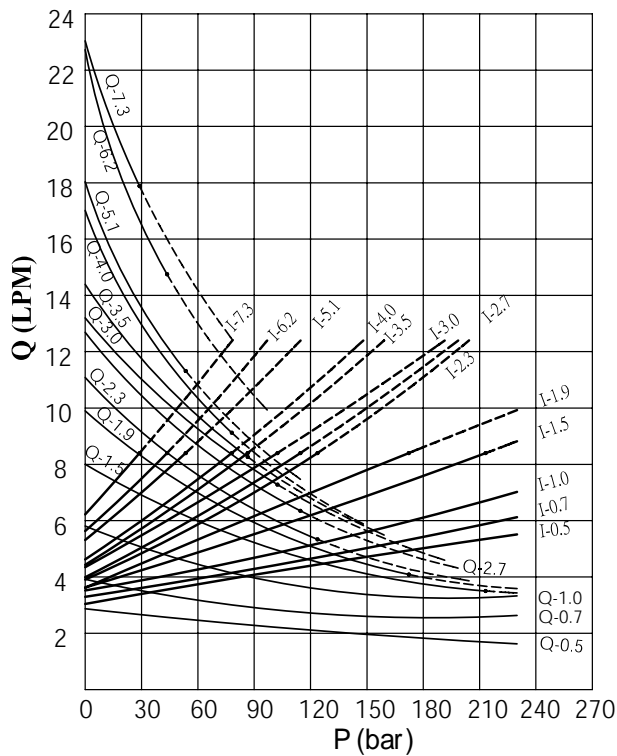
TECHNICAL DATA

0.5~7.3 C.C. Pumps

1.5KW / 12V / 210A

Max. Power : 2000W

Max. Current : 310A



———— Nominal duty curve
 - - - - - Max. duty curve

S2 RATING = TIME TO REACH 150°C BRUSH TEMPERATURE
 S3 RATING = PERCENTAGE OF 10 MINUTE CYCLE

Ordering Code: **SE(N)12**

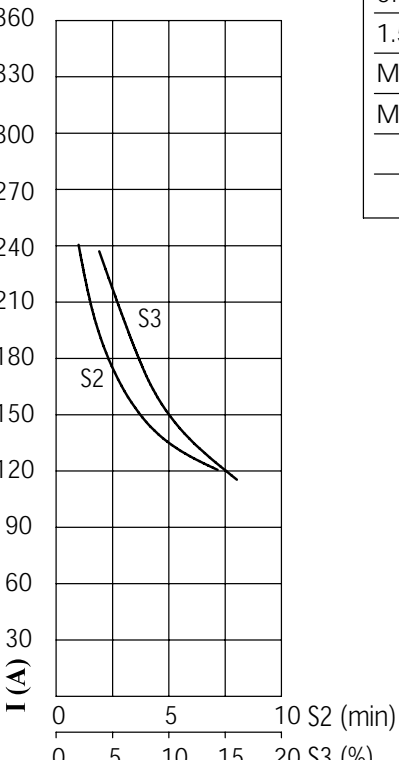
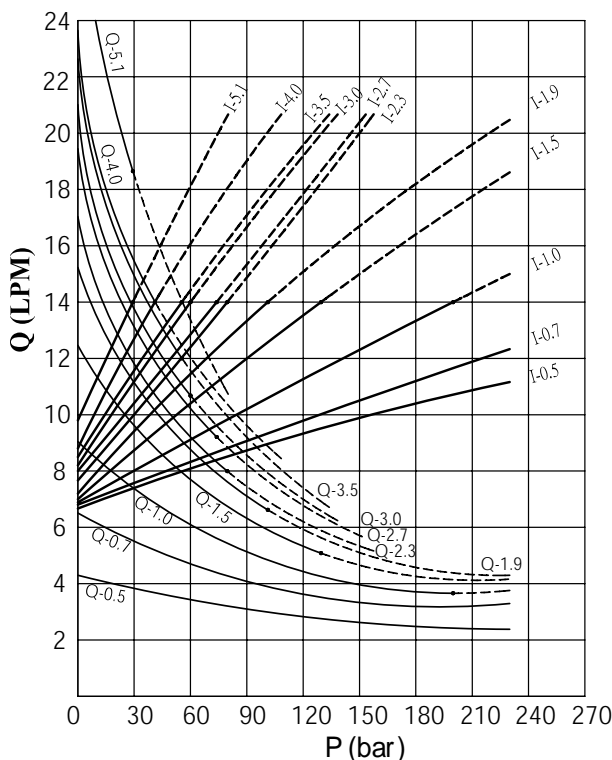
TECHNICAL DATA

0.5~5.1 C.C. Pumps

1.5KW / 12V / 210A

Max. Power : 2000W

Max. Current : 310A



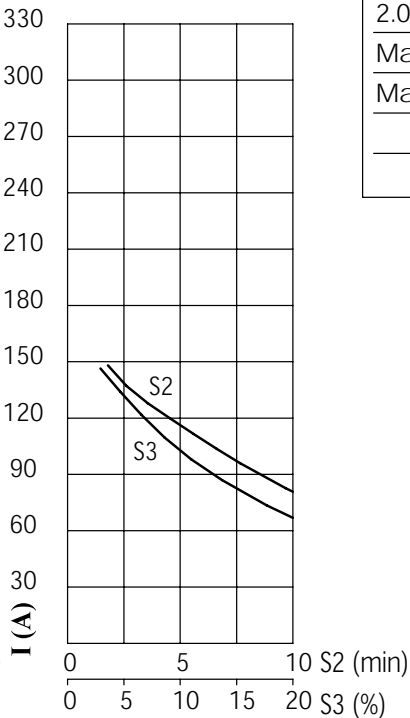
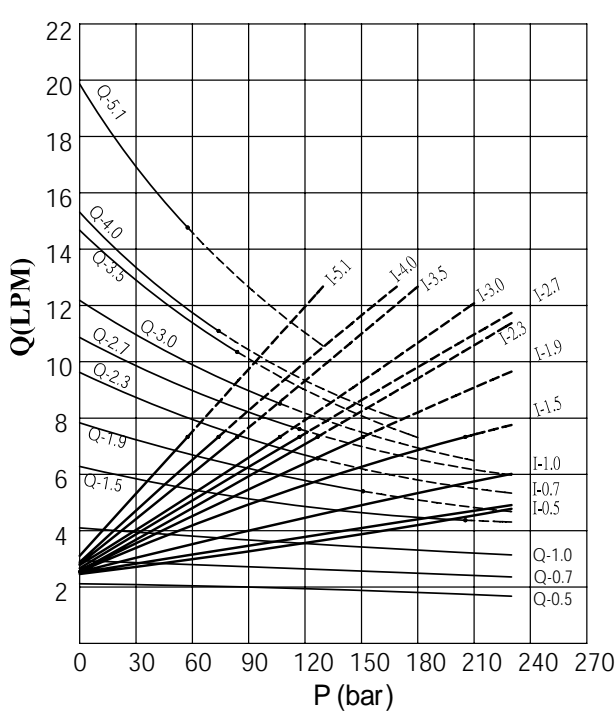
———— Nominal duty curve
 - - - - - Max. duty curve

S2 RATING = TIME TO REACH 150°C BRUSH TEMPERATURE
 S3 RATING = PERCENTAGE OF 10 MINUTE CYCLE

Ordering Code: **CE(N)24**

TECHNICAL DATA

0.5~5.1 C.C. Pumps
 2.0KW / 24V / 110A
 Max. Power : 2500W
 Max. Current : 190A



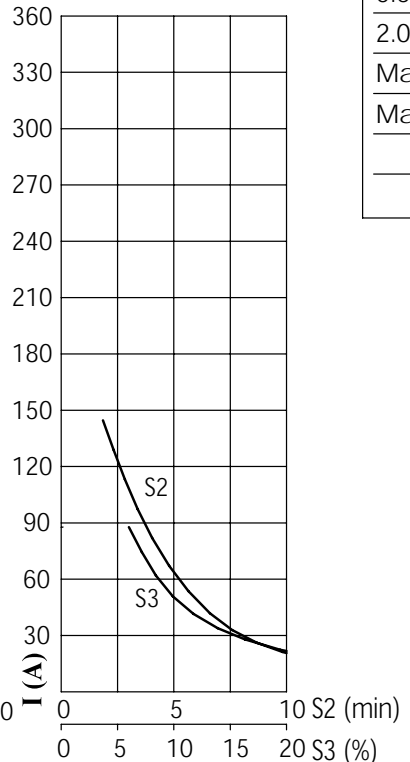
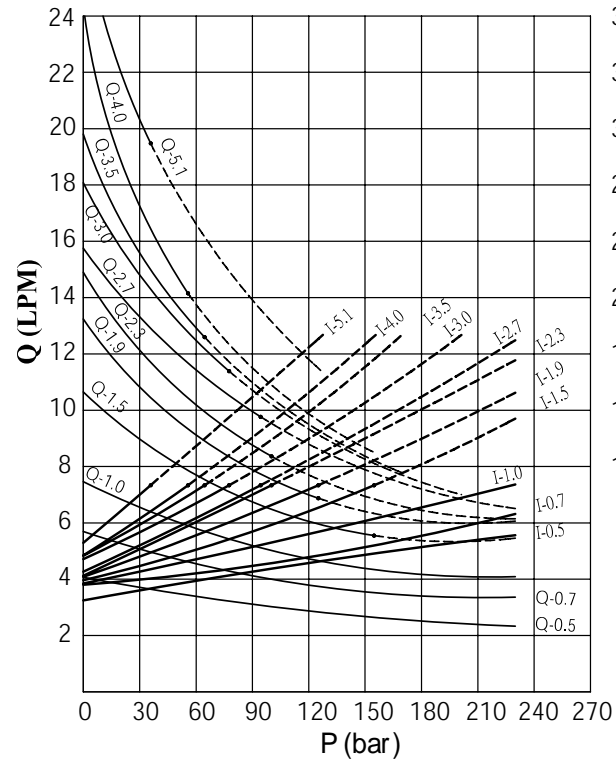
———— Nominal duty curve
 - - - - - Max. duty curve

S2 RATING = TIME TO REACH 150°C BRUSH TEMPERATURE
 S3 RATING = PERCENTAGE OF 10 MINUTE CYCLE

Ordering Code: **SE(N)24**

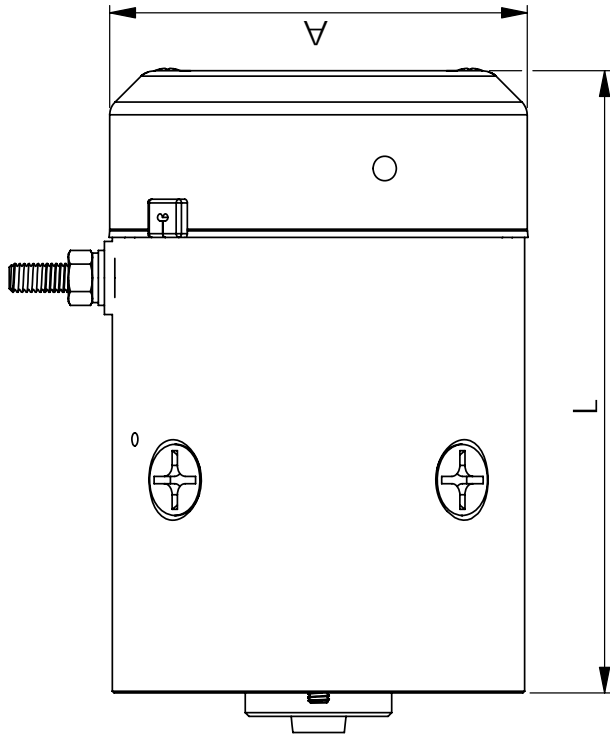
TECHNICAL DATA

0.5~5.1 C.C. Pumps
 2.0KW / 24V / 110A
 Max. Power : 2500W
 Max. Current : 190A



———— Nominal duty curve
 - - - - - Max. duty curve

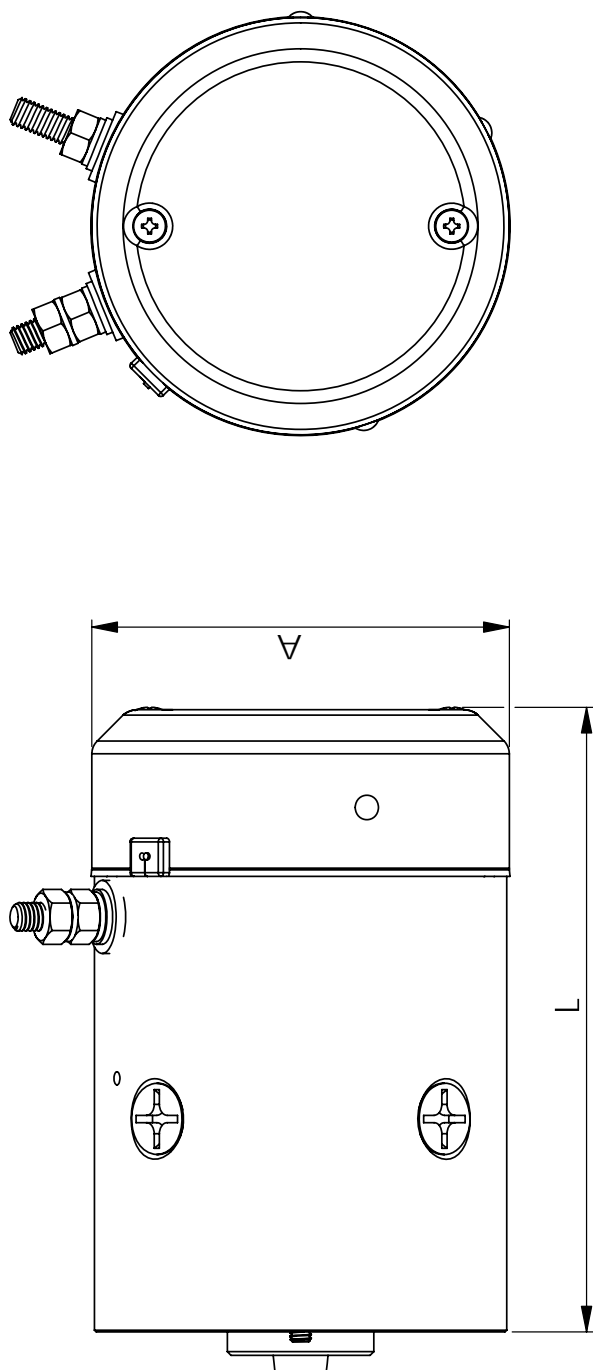
S2 RATING = TIME TO REACH 150°C BRUSH TEMPERATURE
 S3 RATING = PERCENTAGE OF 10 MINUTE CYCLE



Unit : mm

MOTOR	REFERENCES	POWER	VOLTAGES	WIRING	A	L
CE12	W800612	1500W	12	EARTH RETURN (MOTOR WITH 1 TERMINALS)	Ø 114	170
CE24	W800624	2000W	24	EARTH RETURN (MOTOR WITH 1 TERMINALS)	Ø 114	170
SE12	W820612	1500W	12	EARTH RETURN (MOTOR WITH 1 TERMINALS)	Ø 114	170
SE24	W820624	2000W	24	EARTH RETURN (MOTOR WITH 1 TERMINALS)	Ø 114	170

Series	CE12	CE24
	SE12	SE24



Unit : mm

MOTOR	REFERENCES	POWER	VOLTAGES	WIRING	A	L
CN12	W801012	1500W	12	INSULATE RETURN (MOTOR WITH 2 TERMINALS)	Ø114	170
CN24	W801024	2000W	24	INSULATE RETURN (MOTOR WITH 2 TERMINALS)	Ø114	170
SN12	W821012	1500W	12	INSULATE RETURN (MOTOR WITH 2 TERMINALS)	Ø114	170
SN24	W821024	2000W	24	INSULATE RETURN (MOTOR WITH 2 TERMINALS)	Ø114	170

Series	CN24	CN24
	SN24	SN24

Ordering Code:

LN12

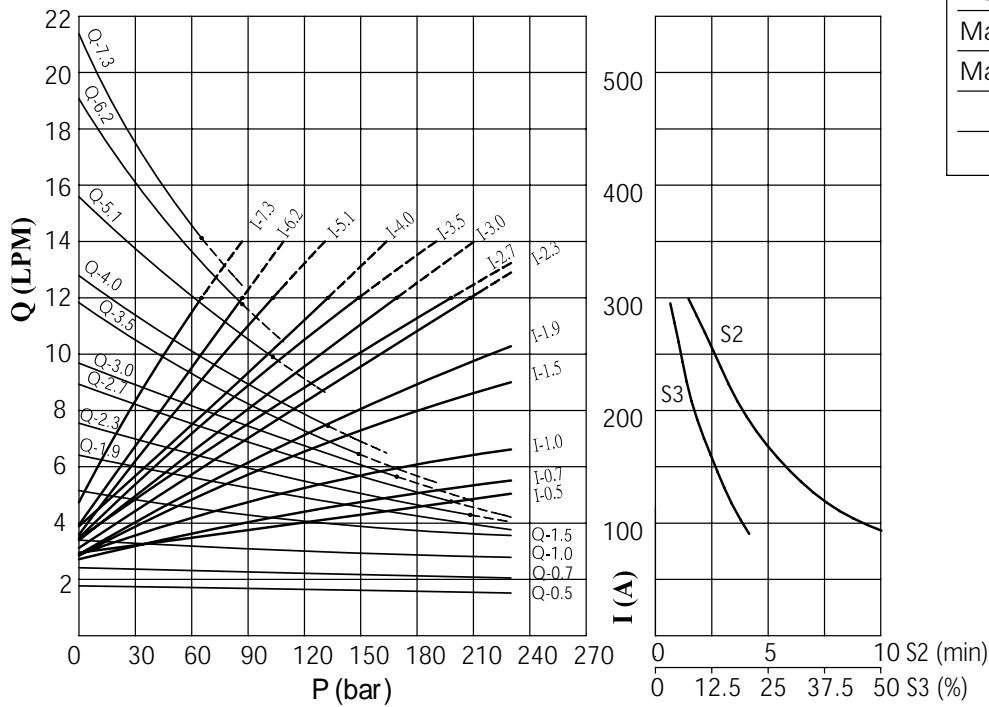
TECHNICAL DATA

0.5~7.3 C.C. Pumps

2.5KW / 12V / 300A

Max. Power : 2800W

Max. Current : 350A



———— Nominal duty curve
 - - - - - Max. duty curve

S2 RATING = TIME TO REACH 150°C BRUSH TEMPERATURE

S3 RATING = PERCENTAGE OF 10 MINUTE CYCLE

Ordering Code:

LN24

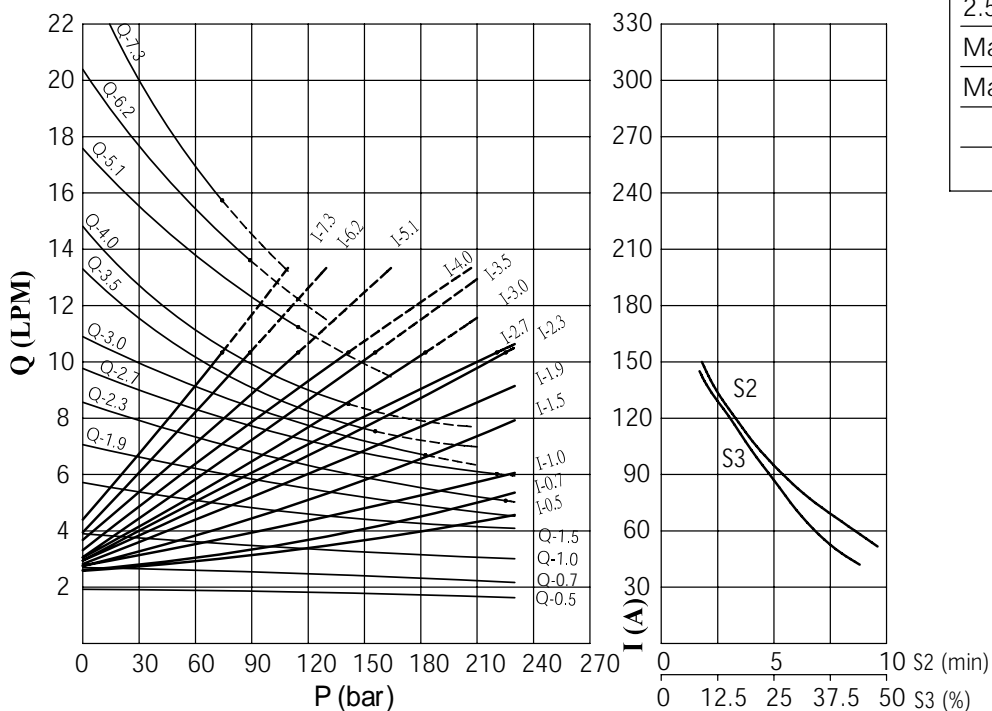
TECHNICAL DATA

0.5~7.3 C.C. Pumps

2.5KW / 24V / 155A

Max. Power : 3000W

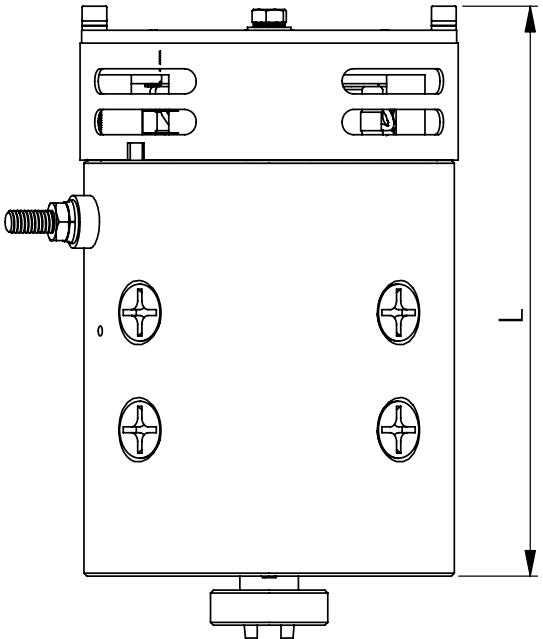
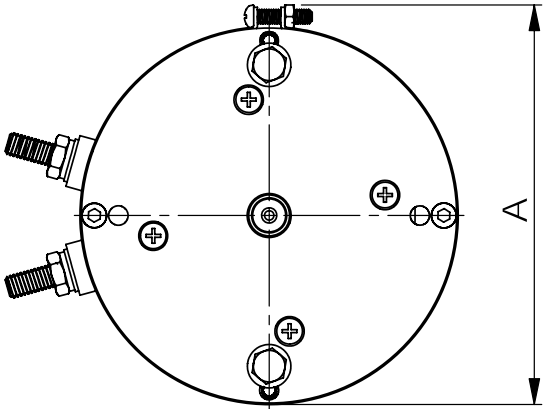
Max. Current : 200A



———— Nominal duty curve
 - - - - - Max. duty curve

S2 RATING = TIME TO REACH 150°C BRUSH TEMPERATURE

S3 RATING = PERCENTAGE OF 10 MINUTE CYCLE



Series	LN12
	LN24

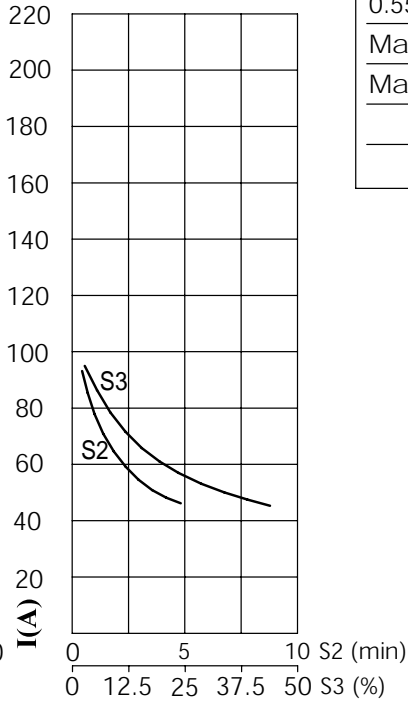
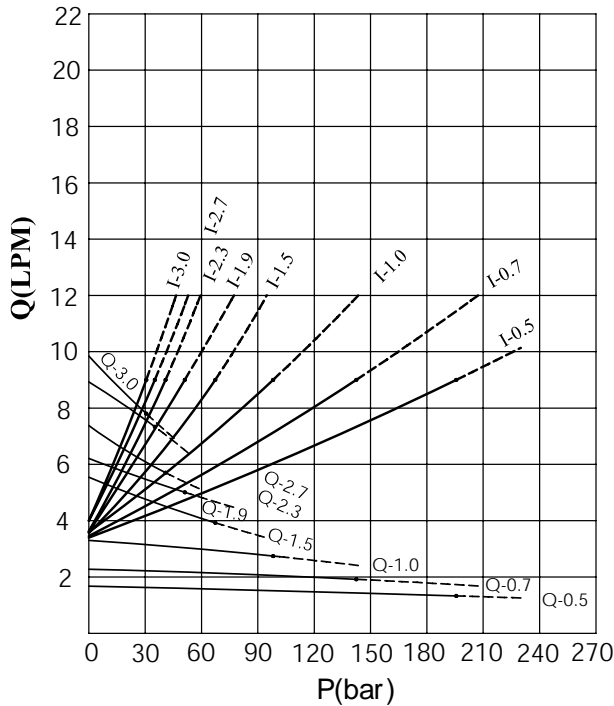
MOTOR	REFERENCES	POWER	VOLTAGES	WIRING	A	L
LN12	W800663	2500W	12	INSULATE RETURN (MOTOR WITH 2 TERMINALS)	136.4	194.6
LN24	W800664	3000W	24	INSULATE RETURN (MOTOR WITH 2 TERMINALS)	136.4	194.6

Unit : mm

Ordering Code: **2N12**

TECHNICAL DATA

0.5~3.0 C.C. Pumps
 0.55KW / 12V / 90A
 Max. Power : 650W
 Max. Current : 120A



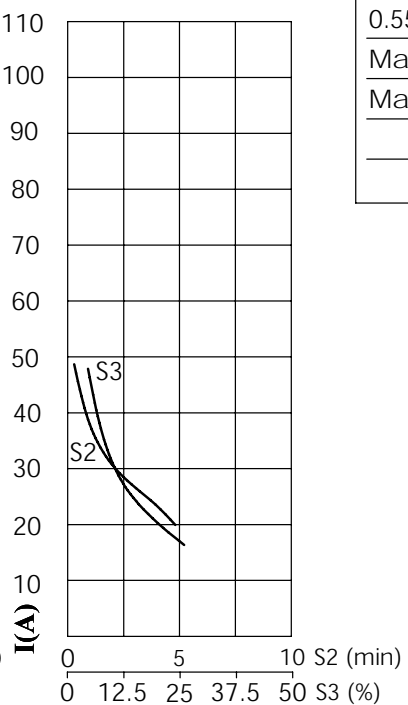
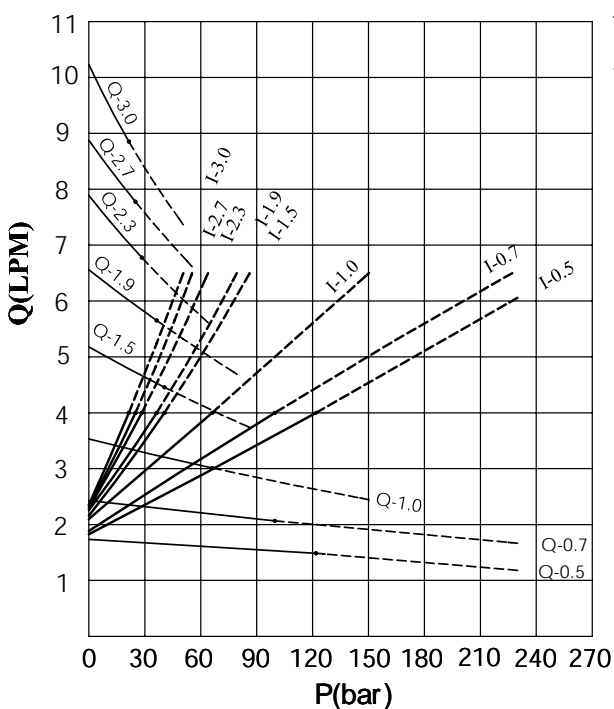
———— Nominal duty curve
 - - - - - Max. duty curve

S2 RATING = TIME TO REACH 150°C BRUSH TEMPERATURE
 S3 RATING = PERCENTAGE OF 10 MINUTE CYCLE

Ordering Code: **2N24**

TECHNICAL DATA

0.5~3.0 C.C. Pumps
 0.55KW / 24V / 40A
 Max. Power : 650W
 Max. Current : 65A



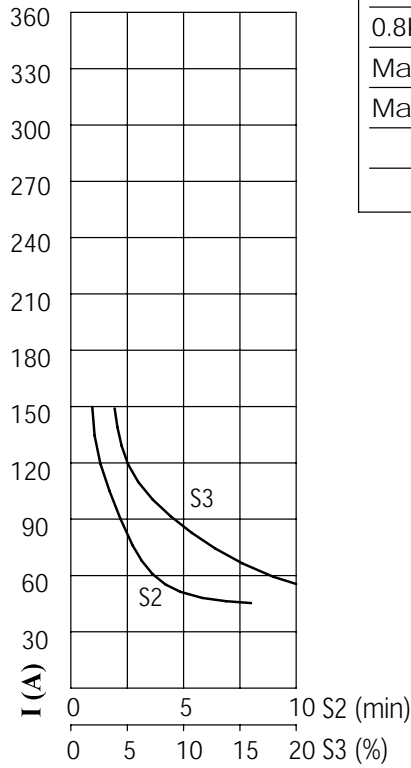
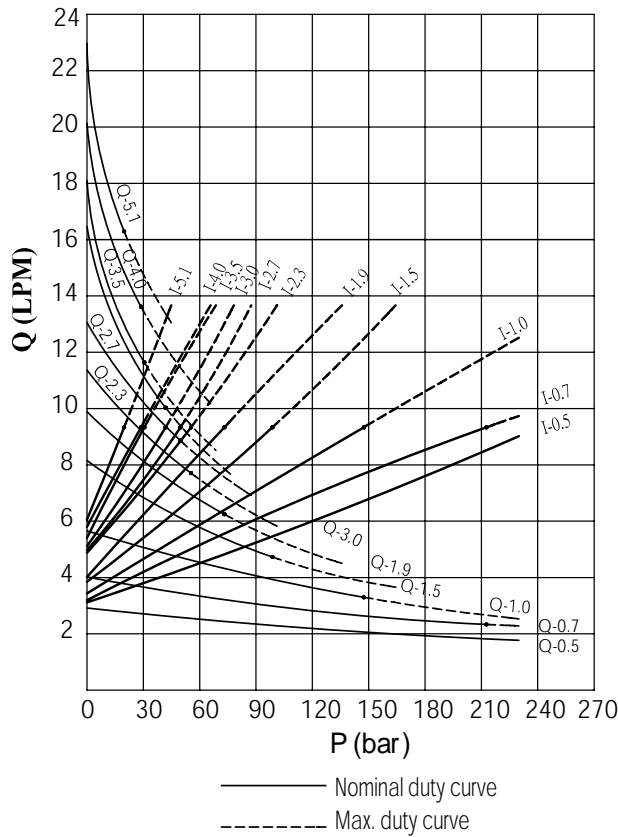
———— Nominal duty curve
 - - - - - Max. duty curve

S2 RATING = TIME TO REACH 150°C BRUSH TEMPERATURE
 S3 RATING = PERCENTAGE OF 10 MINUTE CYCLE

Ordering Code: **3N12**

TECHNICAL DATA

0.5~5.1 C.C. Pumps
 0.8KW / 12V / 140A
 Max. Power : 1000W
 Max. Current : 205A

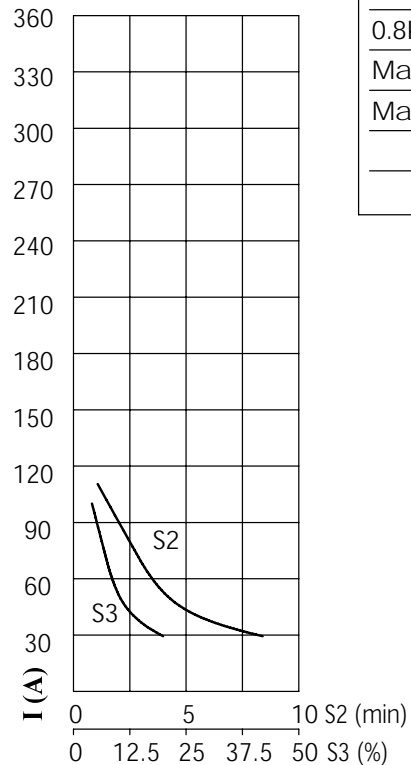
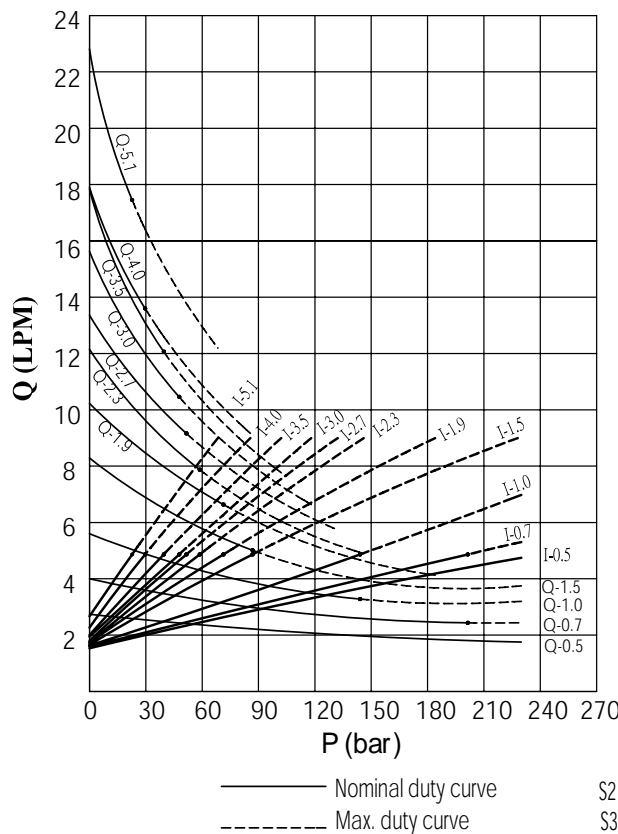


S2 RATING = TIME TO REACH 150°C BRUSH TEMPERATURE
 S3 RATING = PERCENTAGE OF 10 MINUTE CYCLE

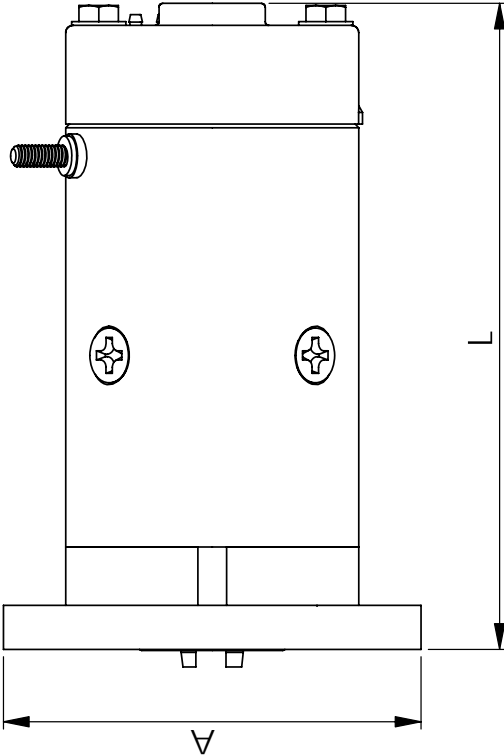
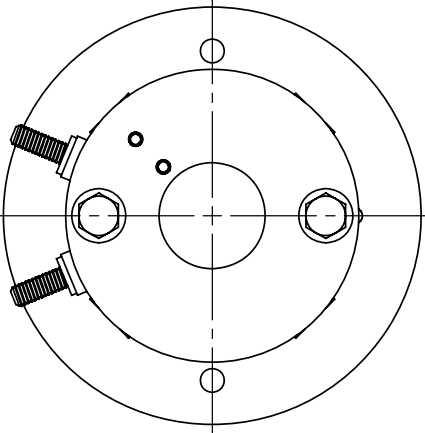
Ordering Code: **3N24**

TECHNICAL DATA

0.5~5.1 C.C. Pumps
 0.8KW / 24V / 73A
 Max. Power : 1000W
 Max. Current : 135A



S2 RATING = TIME TO REACH 150°C BRUSH TEMPERATURE
 S3 RATING = PERCENTAGE OF 10 MINUTE CYCLE

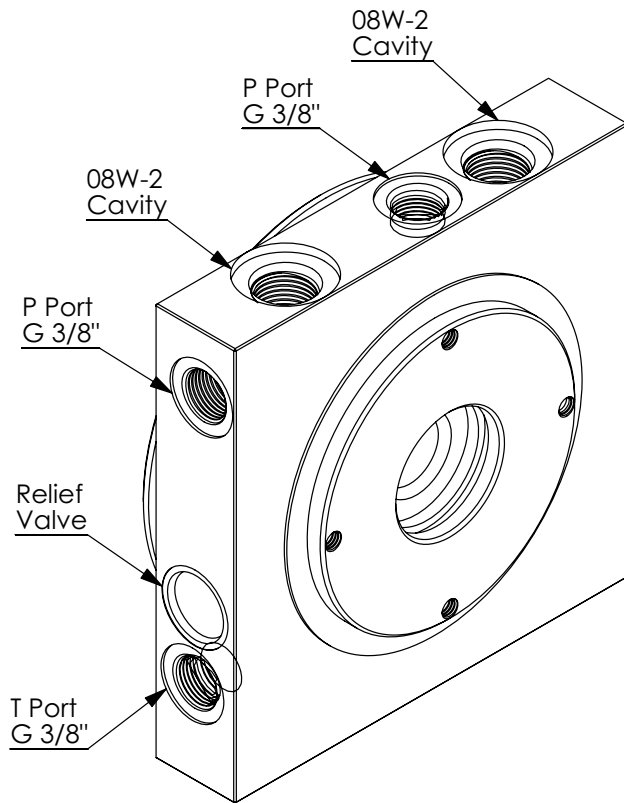


Unit : mm

MOTOR	REFERENCES	POWER	VOLTAGES	WIRING	A	L
2N12	W803912	550W	12	INSULATE RETURN (MOTOR WITH 2 TERMINALS)	Ø 114	176.5
2N24	W803924	550W	24	INSULATE RETURN (MOTOR WITH 2 TERMINALS)	Ø 114	176.5
3N12	W802912	800W	12	INSULATE RETURN (MOTOR WITH 2 TERMINALS)	Ø 114	176.5
3N24	W802924	800W	24	INSULATE RETURN (MOTOR WITH 2 TERMINALS)	Ø 114	176.5

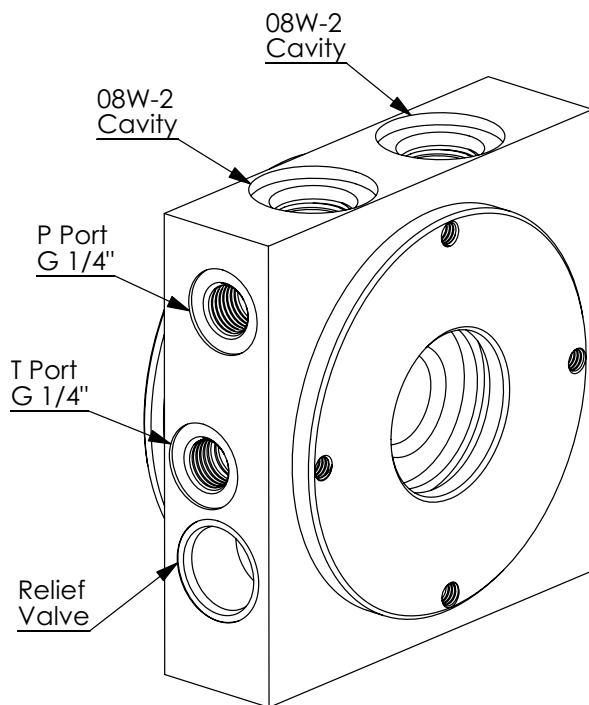
Series	2N12	2N24
	3N12	3N24

Dimensions 152 x 152



Unit:mm

Dimensions 115 x 115



Unit:mm

W800532

Ordering Code

MATERIAL

W Steel

A Aluminum

SERIES

80 Standard

84 Hi-Low Pressure, Two Pumps (Standard)

POWER

A A.C. Motor

D D.C. Motor

W800554

Ordering Code

MATERIAL

W Steel

A Aluminum

SERIES

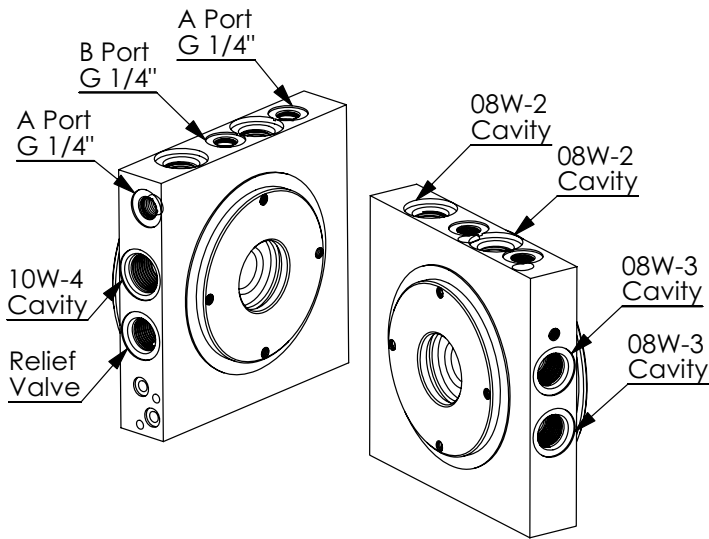
81 Standard (Mini)

POWER

A A.C. Motor

D D.C. Motor

Dimensions 152 x 152



W800551

Ordering Code

MATERIAL

W Steel

A Aluminum

SERIES

82 Dock-Leveller

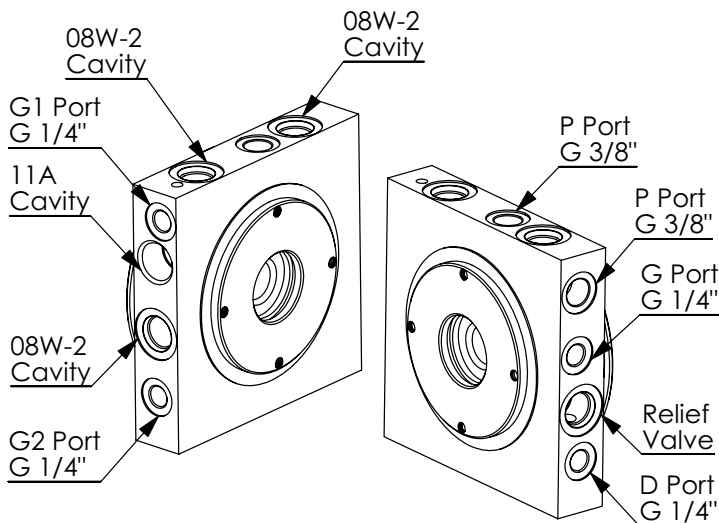
POWER

A A.C. Motor

D D.C. Motor

Unit:mm

Dimensions 152 x 152



W800553

Ordering Code

MATERIAL

W Steel

A Aluminum

SERIES

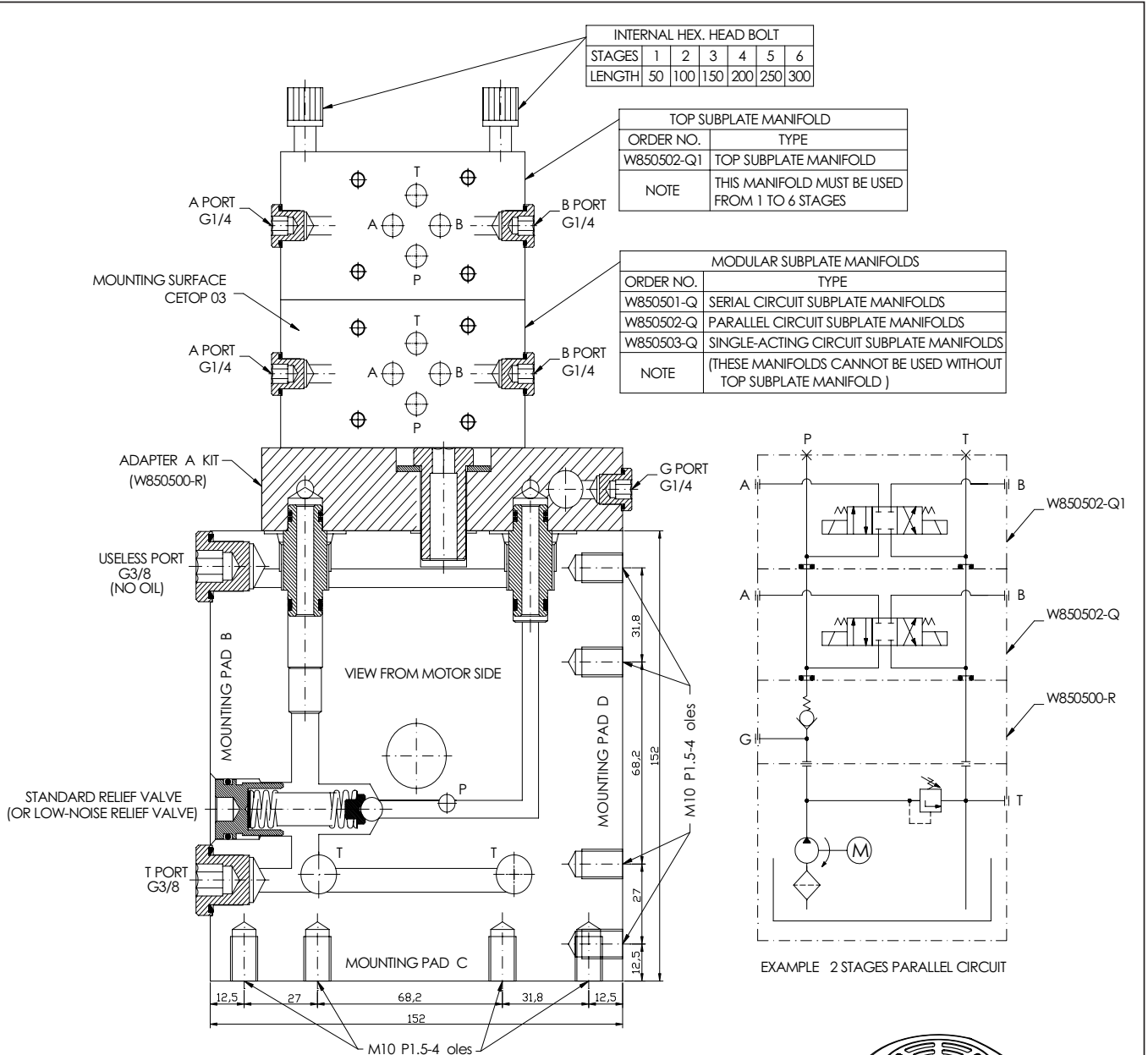
83 Hi-Low Pressure, Two Pumps (Special)

POWER

A A.C. Motor

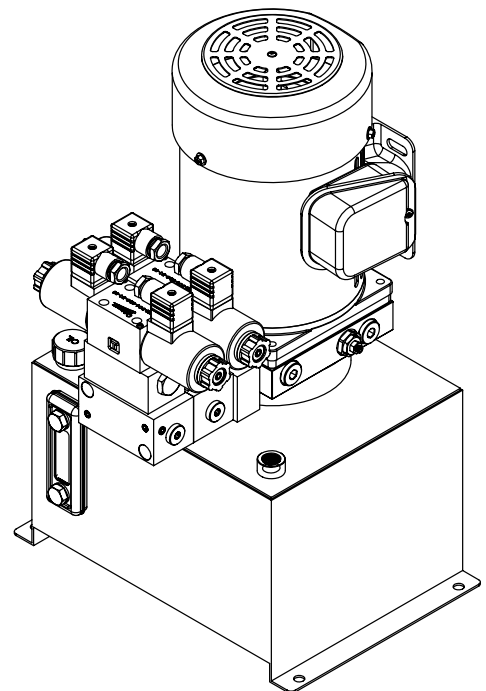
D D.C. Motor

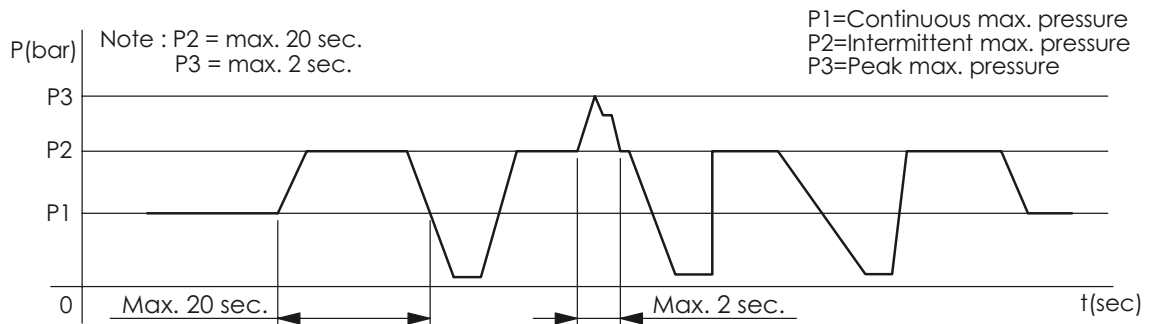
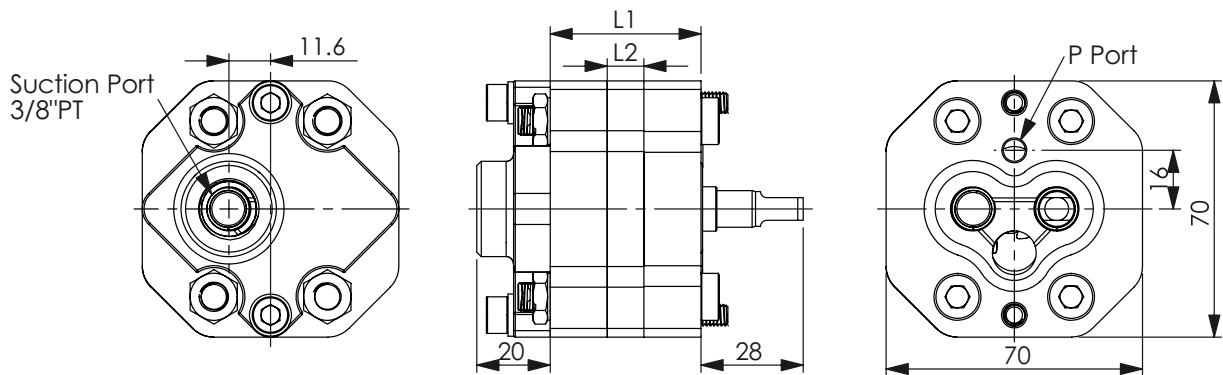
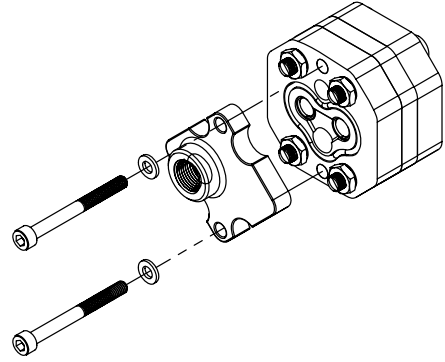
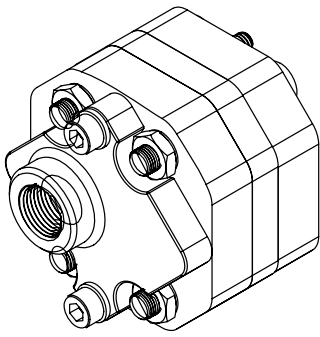
Unit:mm



RENTEK circuits are built using cetop 3 valves, a complete range of sandwich type pressure and flow controls (suitable for both DC & AC circuits)

Rentek can also supply custom manifolds using cartridge style valves for OEM applications. These integrated circuits offer greater flexibility and servcabilty.

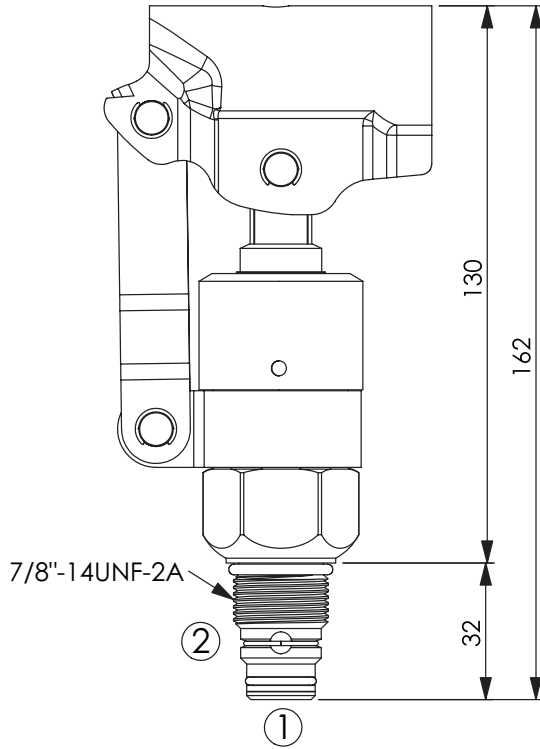




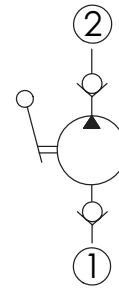
* If you need higher working pressure. Please contact us.

CODE	Displacement C.C./rev	Flow at 1800 rev/min LPM	Max Pressure			Max Speed RPM	Dimensions	
			P1 bar	P2 bar	P3 bar		L1 mm	L2 mm
	P05-Q-L(R)	0.5	0.9	230	250	270	6000	36.5
P07-Q-L(R)	0.7	1.2	230	250	270	6000	37.1	5.9
P10-Q-L(R)	1.0	1.8	230	250	270	6000	38.1	6.9
P15-Q-L(R)	1.5	2.6	230	250	270	6000	39.8	8.6
P19-Q-L(R)	1.9	3.3	230	250	270	6000	41.2	10.0
P23-Q-L(R)	2.3	4.0	230	250	270	6000	42.6	11.4
P27-Q-L(R)	2.7	4.7	230	250	270	6000	43.8	12.6
P30-Q-L(R)	3.0	5.2	210	230	250	5000	44.8	13.6
P35-Q-L(R)	3.5	6.0	210	230	250	4500	46.6	15.4
P40-Q-L(R)	4.0	6.9	210	230	250	4000	48.4	17.2
P51-Q-L(R)	5.1	8.8	175	195	215	3500	52.0	20.8
P62-Q-L(R)	6.2	10.6	150	170	190	3000	55.6	24.4
P73-Q-L(R)	7.3	12.5	130	150	170	2500	59.2	28.0

Ordering Code: **HP-10W-X-Y-Z**



UNIT:mm



TECHNICAL DATA

Max. Operating Pressure: 210 bar

Flow: Up to 10.6 c.c. per stroke

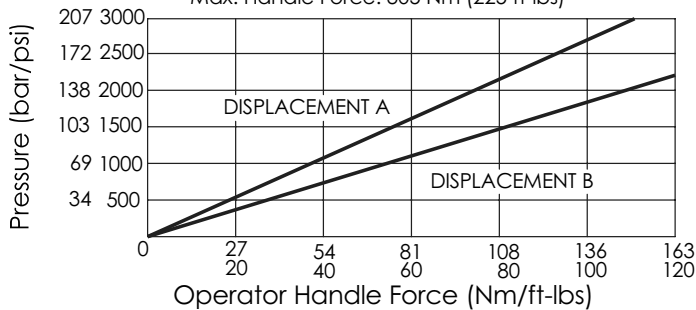
Cavity-Tooling: 10W-2

Installation torque: 40 Nm

Weight: 4.2 kg

PUMP SELECTION CHART

Max. Handle Force: 305 Nm (225 ft-lbs)



X

OPERATION

20

Hand Operated

Y

DISPLACEMENT

A

7.4 c.c. per stroke

B

10.6 c.c. per stroke

Z

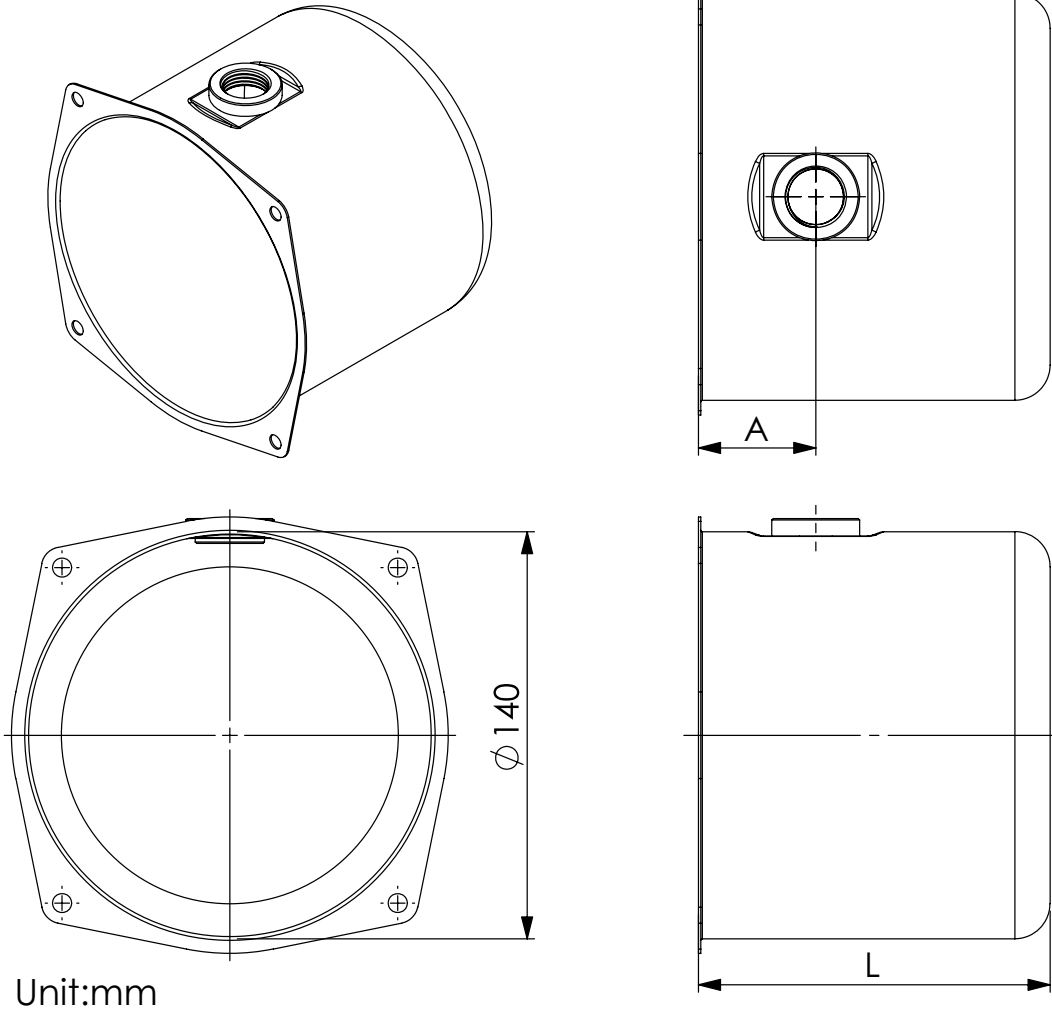
OPTION

N

Non-adjustable

For 152x152 manifold

Ø 140 mm



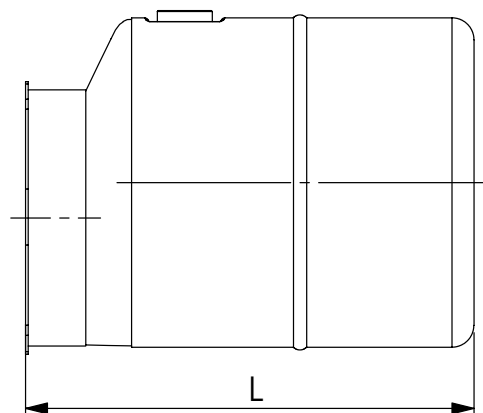
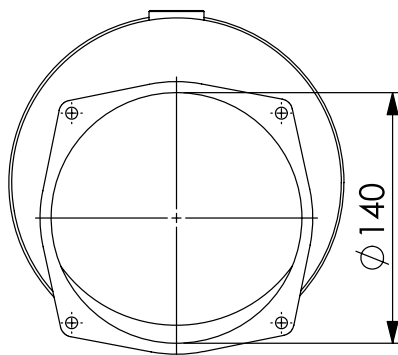
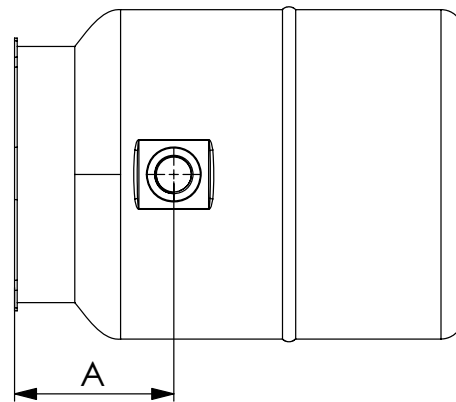
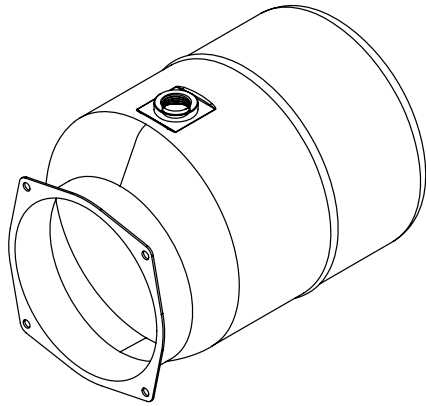
Unit:mm

Ordering Code	L (mm)	A (mm)	Volume (Liters)
W800119	120	40	1.0
W800120	170	40	1.6
W800124	205	40	2.0
W800128	245	40	2.4
W800130	285	40	2.8
W800134	365	40	3.6
W800136	405	40	4.2
W800132	445	40	4.6

*Please contact us for further technical, design and sales information

For 152x152 manifold

Ø 180 mm

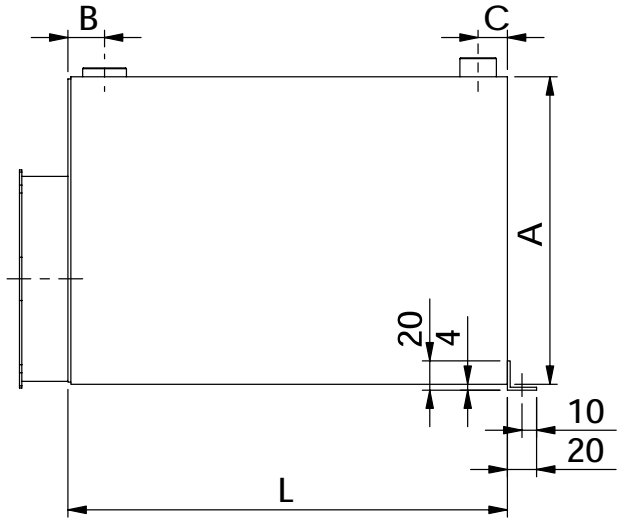
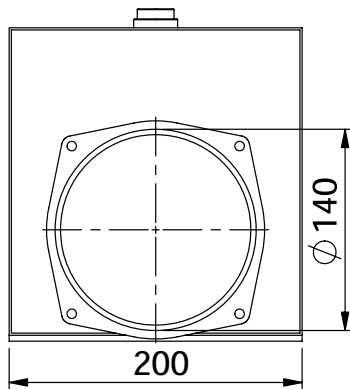
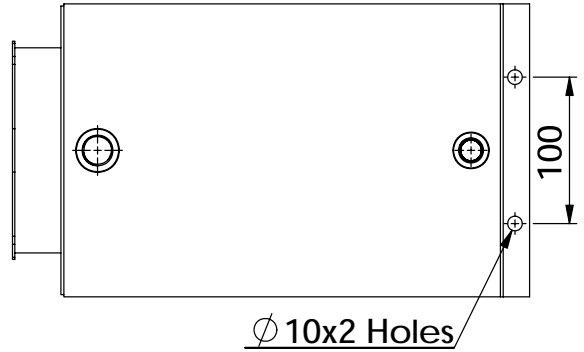
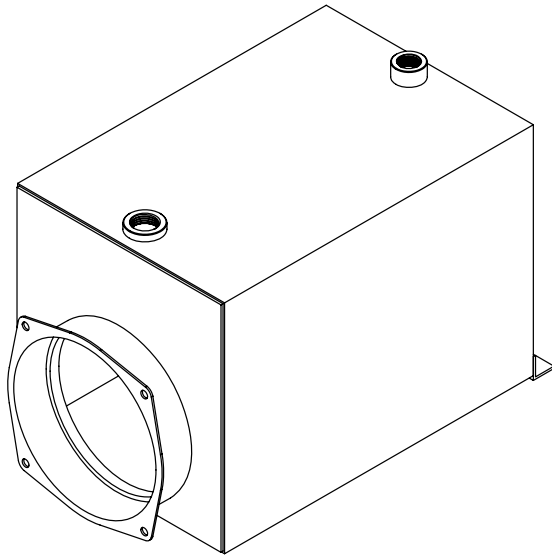


Unit:mm

Ordering Code	L (mm)	A (mm)	Volume (Liters)
W800139	205	87	3.0
W800142	245	87	4.0
W800137	285	87	5.0
W800159	325	87	6.0
W800144	365	87	7.0
W800143	405	87	8.0
W800147	445	87	9.0

*Please contact us for further technical, design and sales information

For 152x152 manifold

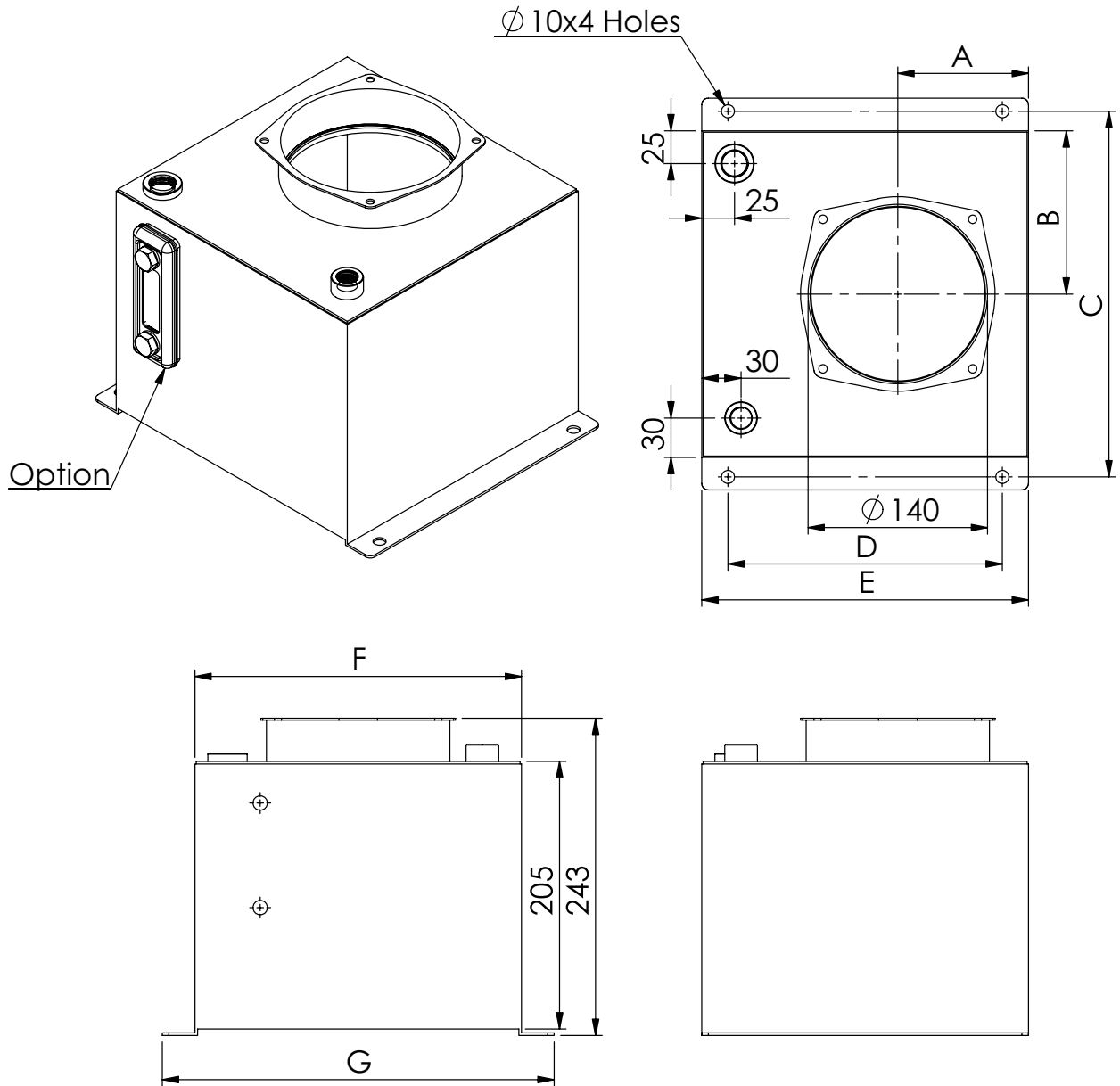


Unit:mm

Ordering Code	L (mm)	A (mm)	B (mm)	C (mm)	Volume (Litters)
W800155 (2.5G)	300	180	21	21	10
W800151 (3G)	300	210	25	20	12
W800148 (5G)	550	210	25	20	20

*Please contact us for further technical, design and sales information

For 152x152 manifold



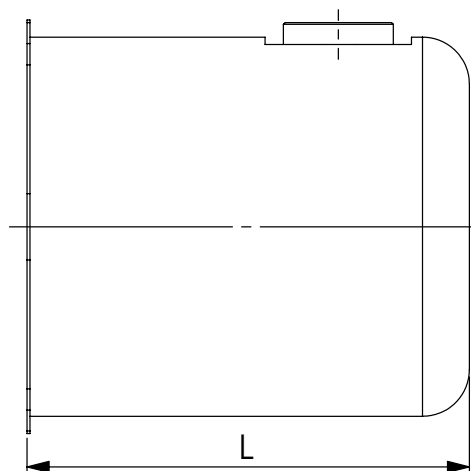
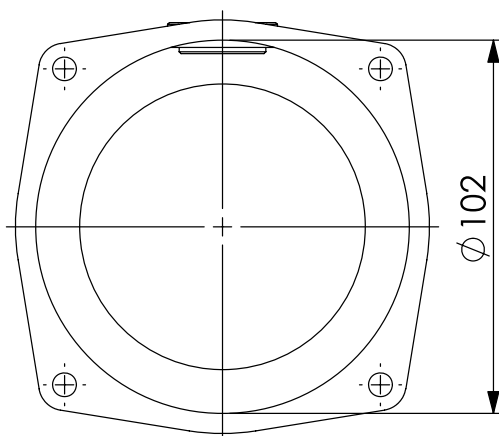
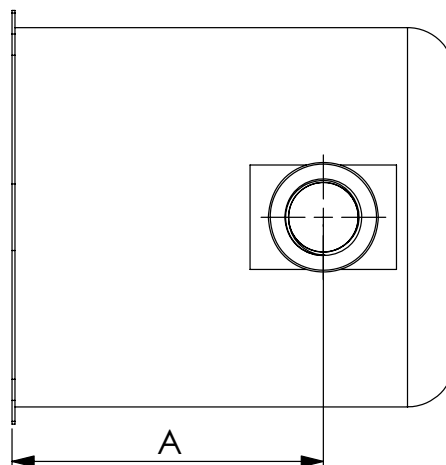
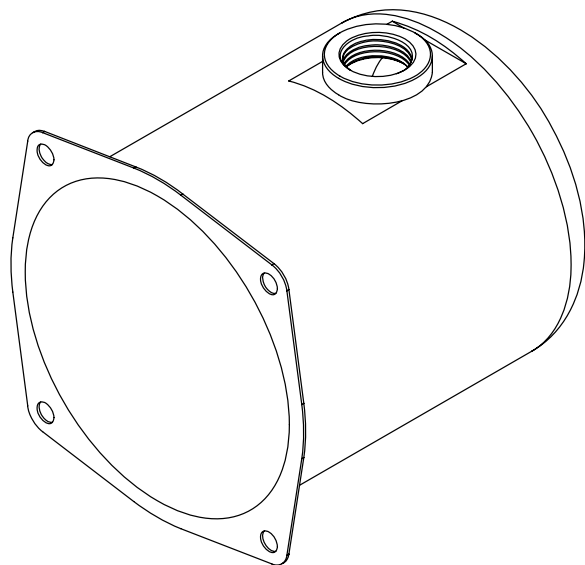
Unit:mm

Ordering Code	A (mm)	B (mm)	C (mm)	D (mm)	E (mm)	F (mm)	G (mm)	Volume (Liters)
W800152	100	125	280	210	250	250	300	12
W800153	120	150	330	260	300	300	350	18

*Please contact us for further technical, design and sales information

For 115x115 manifold

Ø 102 mm



Unit:mm

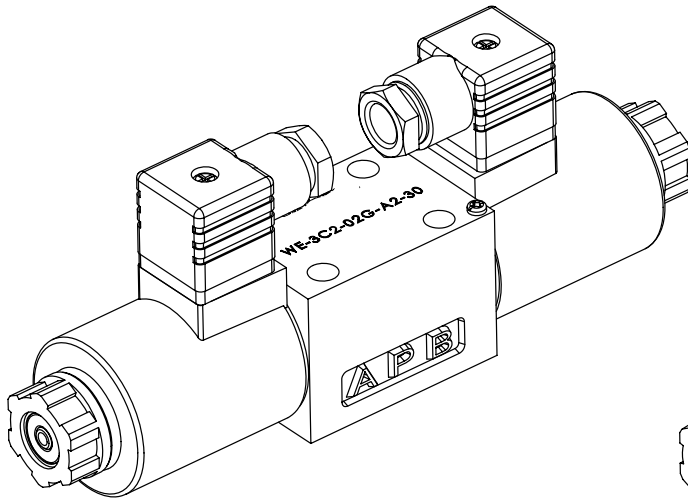
Ordering Code	L (mm)	A (mm)	Volume (Liters)
W800161	120	85	0.5
W800162	170	85	0.8
W800163	205	85	1.0
W800164	245	85	1.3
W800165	285	85	1.7

*Please contact us for further technical, design and sales information

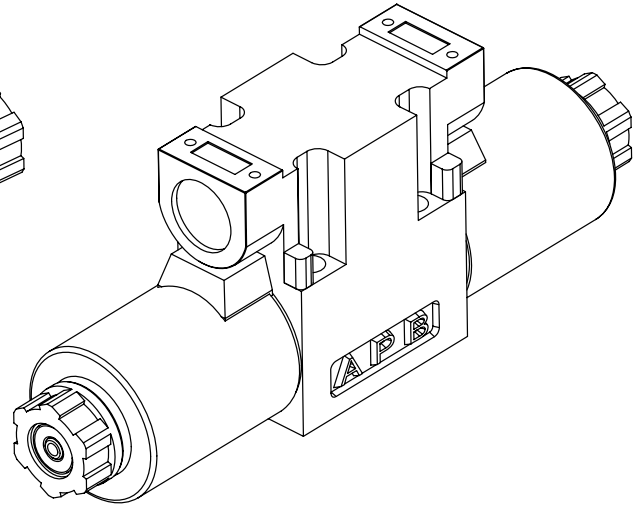
CETOP 03

Series

WE



Din Type



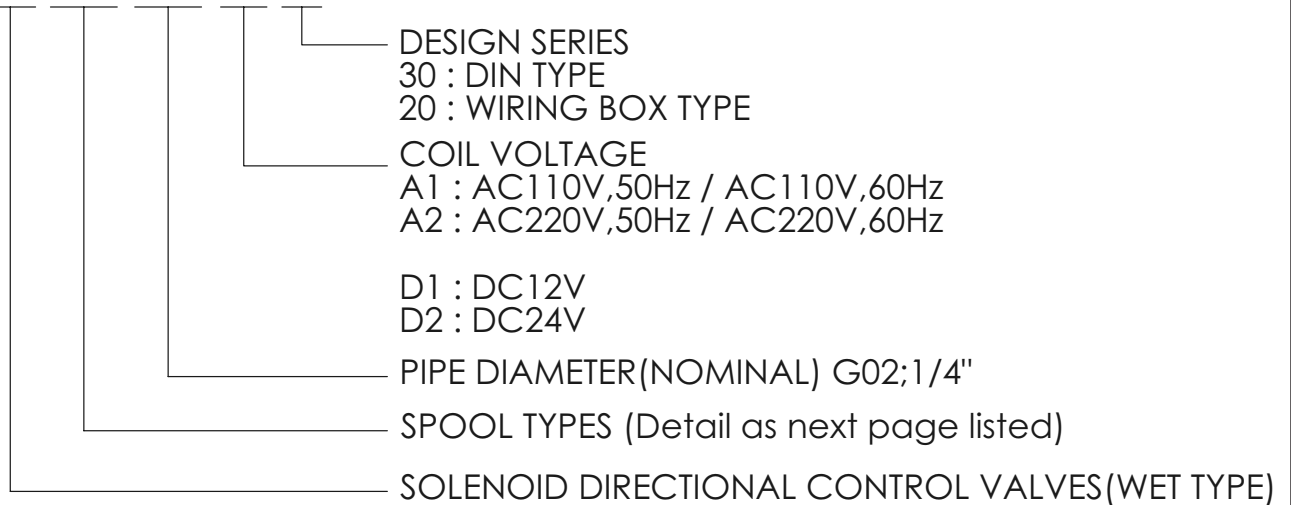
Wiring Box Type

SPECIFICATION

Pipe Diameter (Nominal)	02 (1/4")
Max. Pressure	250 BAR
Max. Flow	50 LPM
Allowance Back Pressure	175 BAR
Max. Change Frequency	240 times/min (AC,DC) 120 times/min(RF)

HOW TO ORDER

WE-3C6-02G-D2-30



SPOOL TYPE

SPRING CENTER	SYMBOLS	NO SPRING	SYMBOLS	NO SPRING	SYMBOLS
3C2		2D2		2D2A	
3C3		2D3		2D3A	
3C4		2D7		2D4A	
3C40					
3C5		SPRING OFFSET	SYMBOLS		
3C60					
3C7					
3C9		2B2			
3C10		2B3			
3C11					
3C12					
SPRING OFFSET	SYMBOLS	SPRING OFFSET	SYMBOLS		
2B2A		2B2B			
2B3A		2B3B			
2B4A		2B4B			
2B40A		2B40B			
2B5A		2B5B			
2B60A		2B60B			
2B7A		2B7B			
2B9A		2B9B			
2B10A		2B10B			
2B11A		2B11B			
2B12A		2B12B			



REN-TEK DC

Head office

508-520 Wellington Rd,
Mulgrave, VIC 3170

Telephone: (03) 9262 3333

Facsimile: (03) 9262 3334

Email: melhyd@renold.com.au

www.renold.com.au

Sales Branches and Stock Depots

Melbourne	508-520 Wellington Rd, Mulgrave, VIC 3170
Sydney	Unit 11, 19 Aero Rd, Ingleburn, NSW 2565
Wollongong	PO Box 159, Unanderra, NSW 2526
Newcastle	Unit 5, 75-77 Beaumont St, Hamilton, NSW 2303
Brisbane	Unit 10, 31 Boyland Ave, Coopers Plains, QLD 4108
Townsville	Shop B, 247 Ingham Rd, Garbutt, QLD 4814
Adelaide	67 Orsmond St, Hindmarsh, SA 5007
Perth	Unit 2, 127 Grandstand St, Belmont, WA 6104

Telephone

(03) 9262 3355
(02) 9618 7984
(02) 4262 1771
(02) 4969 5944
(07) 3275 2155
(07) 4779 5922
(08) 8346 9077
(08) 9479 1388

Facsimile

(03) 9560 7578
(02) 9618 0440
(02) 4262 1772
(02) 4969 7045
(07) 3875 1779
(07) 4775 1446
(08) 8340 1217
(08) 9479 1364

Email

melsales@renold.com.au
nswsales@renold.com.au
nswsales@renold.com.au
nswsales@renold.com.au
brisales@renold.com.au
tvlsales@renold.com.au
adlsales@renold.com.au
pthsales@renold.com.au

...or contact your nearest Ren-Tek distributor

Whilst all reasonable care in compiling the information contained in this catalogue is taken, no responsibility is accepted for printing errors.
All information contained in this catalogue is subject to change without notice.