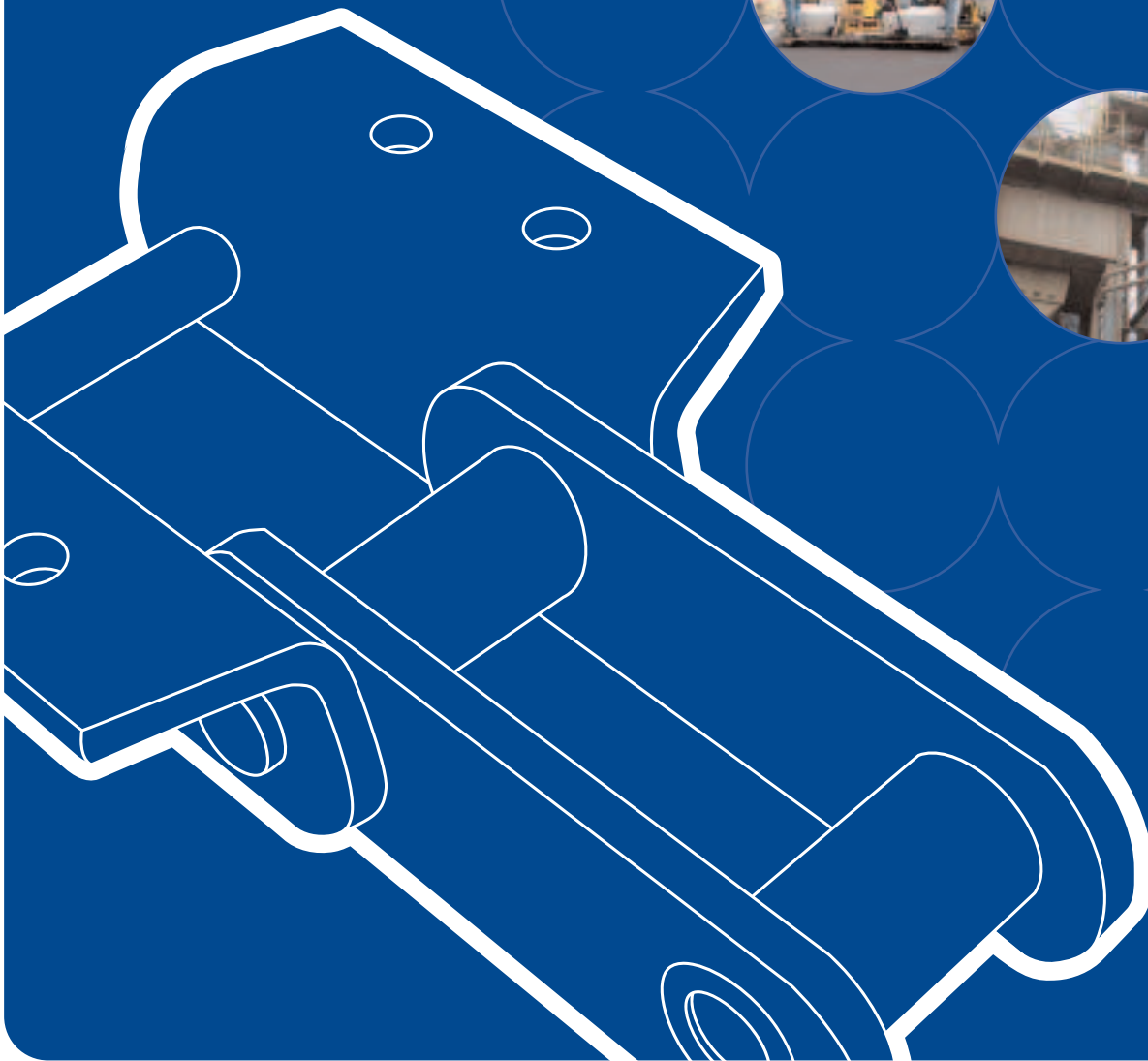
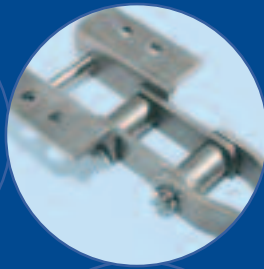


# *Asphalt Industry Chain*

*Laying down the standards*



**RENOLD**

*Superior Chain Technology*

# Renold Asphalt Chain™

## Unique quality and safety



### Leading edge technology

Renold provides practical cost effective solutions, with a commitment of value through quality. This is achieved by continuous investment in people, process technology and manufacturing.

### Consistent reliability

Renold's 100 years of experience in the design and manufacture of power transmission products, to the highest specifications, with proven performance in diverse industries worldwide, underwrites the guaranteed quality and the assurance of reliability.

### Package solutions

One stop for your drive systems, including roller and conveyor chain, gears, motors, couplings, variators and fabricated bases.

### Service excellence and care

Renold offers a unique level of service excellence and customer care. Our experienced applications engineers will select the optimum solution with the aid of the latest computer and design technology. Renold is the name for service, care and peace of mind.

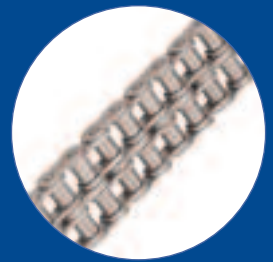
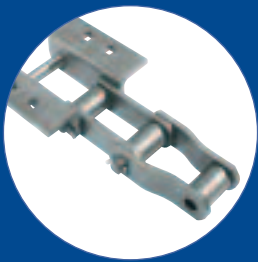
### Special solutions and innovations

Renold is recognised throughout the industry for its capability to create specific solutions to customers' unique requirements. International companies and industries from steel to food processing to escalators to textile machinery have chosen Renold to solve their problems.

### Local and international availability

The Renold organisation stretches world-wide.

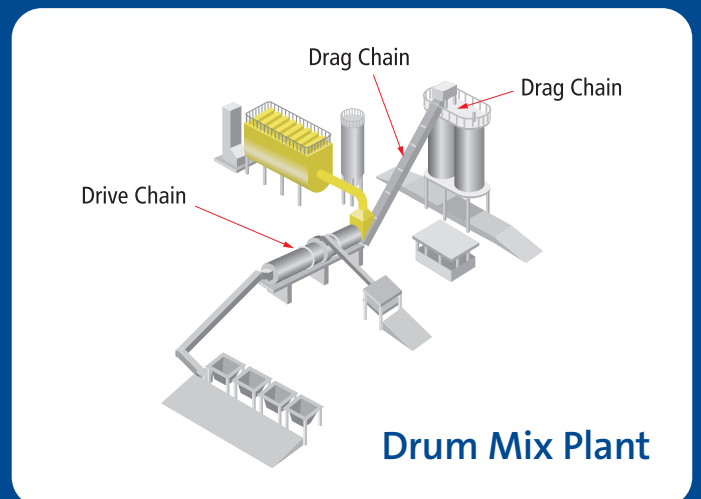
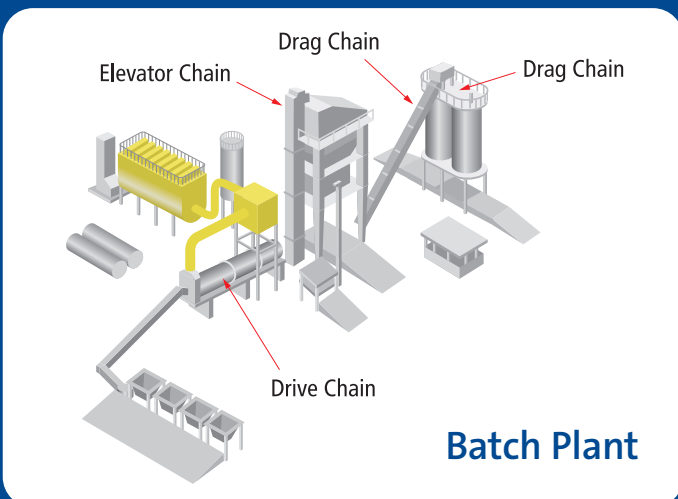
- 17 National Sales Companies
- Over 70 Overseas Distributors offering the comprehensive Renold range of power transmission products, directly or through local distributor networks



## Chain for asphalt plants

Renold can supply all your chain requirements for asphalt coating plants. Chains for applications including hot stone elevators, inclined drag scraper

conveyors, vertical bucket elevators and rotary driers make up a comprehensive range of industry-proven, high specification products.

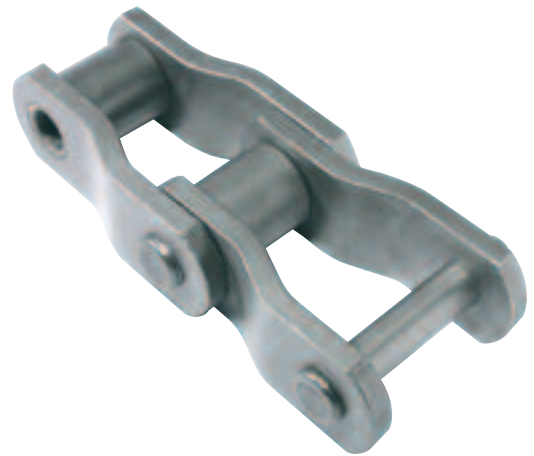
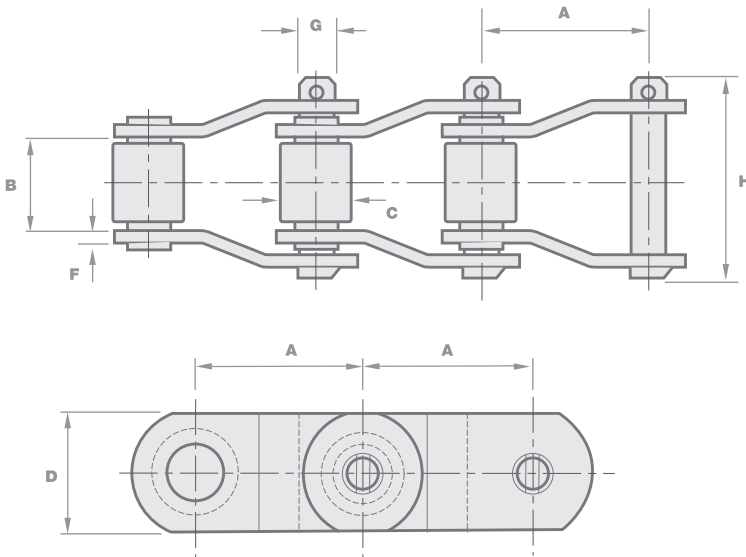
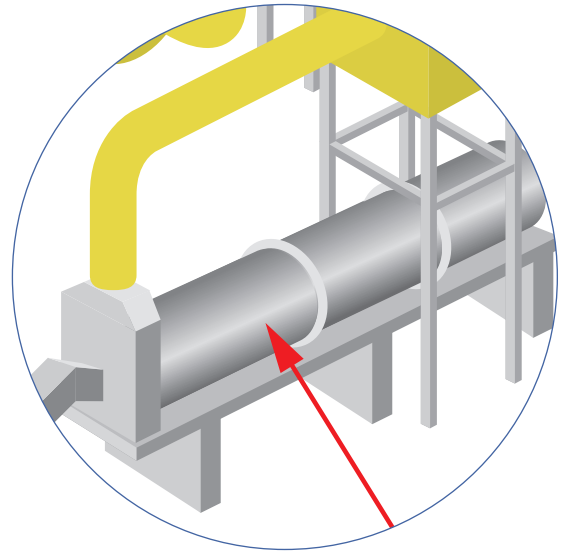


# Asphalt industry

## Cranked link drive chain

### Cranked link chain

- High specification materials
- Heat treated components
- Precise pitch control



### Cranked link chain

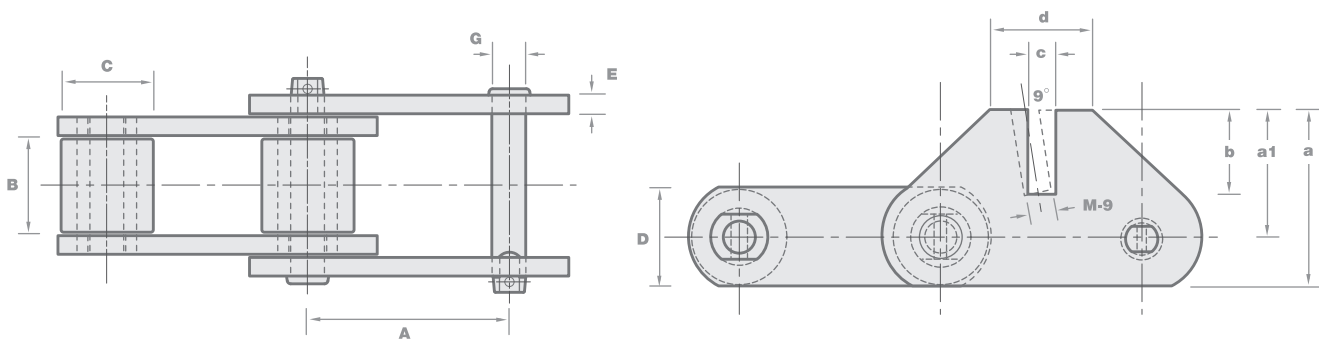
Dimensions (mm)

Renold Chain No	Pitch (mm)	Inside Width	Roller Diam	Plate Height	Plate Thickness	Pin Diam	Pin Length	Weight kg/m	Tensile Strength Avg. kN
	A	B	C	D	F	G	H		
IS2065	50.80	31.75	28.58	39.24	7.94	15.06	73.82	11.31	290
JS882	66.27	28.58	22.23	28.58	6.35	11.11	62.71	5.36	115
JS1031	78.11	38.10	31.75	38.10	7.94	15.88	83.34	10.86	214
JS3075	78.11	38.10	31.75	42.86	9.53	16.43	89.69	13.39	334
JS3011	77.90	39.69	41.28	57.15	9.53	19.05	89.69	19.49	490
JS3514	88.90	38.10	44.45	57.15	12.70	22.25	102.39	25.74	623
JS4014	103.20	49.21	44.45	57.15	12.70	22.25	111.92	22.91	623
JS4106	103.20	49.21	44.45	57.15	12.70	22.25	111.92	23.21	312
JS1245A	103.45	49.21	45.24	60.33	14.29	23.80	121.44	27.82	756
JS4121	103.89	49.21	47.63	69.85	14.29	25.35	118.27	35.71	934
JS4522	114.30	52.39	57.13	76.20	14.29	27.96	125.41	37.20	978
JS5031	127.00	69.85	63.50	88.90	15.86	31.75	146.84	53.56	1245
1605AAA	127.00	65.09	63.50	88.90	19.05	34.93	161.93	64.72	1512
JS6042	152.40	76.20	76.20	101.60	19.05	38.10	174.63	69.03	1868

# Asphalt industry

## Drag conveyor chain

- High quality alloy and carbon steels give high strength proportions
- Optimum heat treatment processes - to prolong wear life
- Precise hole formation and pitch control - maintain even loadings
- Optimum interference fits for increased fatigue resistance



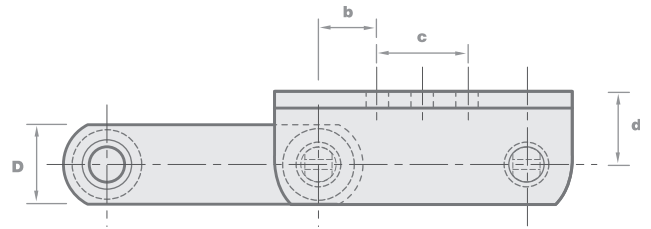
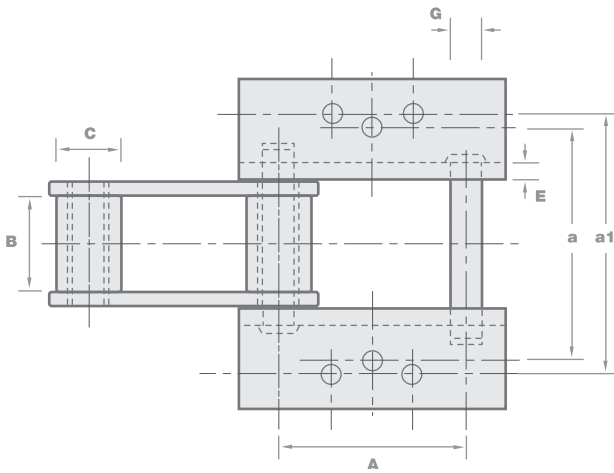
### Asphalt drag chain

Dimensions (mm)

Chain No.	Pitch (inch)	Pitch (mm)	Inside Width	Roller Diam.	Plate Height	Plate Thickness Inner/Outer	Pin Diam.						Bolt Diam.	Tensile Strength Avg. kN	Attachment Type
	A	A	B	C	D	E	G	a	a1	b	c	d			
2102	4.00	101.60	56.36	38.10	38.10	9.53	15.88	101.60	82.55	60.33	14.29	102.00	-	252	M1
2860	6.00	152.40	76.20	69.85	63.50	12.70	25.40	152.40	92.08	69.85	20.64	171.45	-	636	M1
2866PB	6.00	152.40	76.20	69.85	69.85	12.70	25.40	152.40	92.08	60.33	20.64	77.79	-	663	M1
2866PB	6.00	152.40	76.20	69.85	69.85	12.70	25.40	152.40	92.08	60.33	20.64	77.79	-	663	M9

# Asphalt industry

## Bucket elevator chain



### Asphalt bucket elevator chain

Dimensions (mm)

Chain No.	Pitch Inch	Pitch mm	Inside Width	Roller Diam.	Plate Height	Plate Thickness Inner/Outer	Pin Diam.						Bolt Diam.	Tensile Strength Avg. kN	Attachment Type
	A	A	B	C	D	E	G	a	a1	b	c	d			
6102BM*	4.00	101.60	56.36	25.40	38.10	9.53	15.88	134.94	-	15.88	44.45	25.40	9.53	252	K2
2102	4.00	101.60	56.36	38.10	38.10	9.53	15.88	134.94	-	28.58	44.45	28.58	12.70	252	K2
2102	4.00	101.60	56.36	38.10	38.10	9.53	15.88	134.94	-	22.23	57.15	28.58	15.88	252	SP K2
3945PB	4.00	101.60	50.80	31.75	38.10	7.94	15.88	134.94	-	28.58	44.45	34.93	12.70	200	K2
3945PB	4.00	101.60	50.80	31.75	38.10	7.94	15.88	134.94	120.65	28.58	44.45	34.93	9.53	200	K3
3952PB	4.00	101.60	50.80	36.52	44.45	9.53	19.05	134.94	-	28.58	44.45	41.28	9.53	287	SP K2
3952PB	4.00	101.60	50.80	36.52	44.45	9.53	19.05	133.35	-	26.19	49.21	41.28	9.53	287	K2
3952PB	4.00	101.60	50.80	36.52	44.45	9.53	19.05	134.94	120.65	28.58	44.45	41.28	9.53	287	K3
3952PB	4.00	101.60	50.80	36.52	44.45	9.53	19.05	139.70	-	28.58	44.45	41.28	12.70	287	K2
3952PB	4.00	101.60	50.80	36.52	44.45	9.53	19.05	139.70	-	28.58	44.45	41.28	12.70 sq	287	SP K2
3953PB	4.00	101.60	50.80	41.28	44.45	9.53	19.05	134.94	120.65	28.58	44.45	41.28	9.53	287	K3
3957PB	4.00	101.60	38.10	34.93	41.28	7.94	15.88	134.94	-	19.05	63.50	34.93	12.70	200	K2
3950PB	4.04	102.57	50.80	34.93	38.10	7.94	15.88	134.94	120.65	28.97	44.45	34.93	9.53	200	K3
2268PB	4.08	103.71	50.80	41.28	57.15	9.53	19.05	133.35	-	29.46	44.45	50.80	12.70	445	K2
4604PB	4.60	116.94	50.80	34.93	38.10	7.94	15.88	134.94	120.65	36.32	44.45	34.93	9.53	200	K3
3935PB	5.19	131.75	57.94	50.80	63.50	9.53	22.23	160.34	-	36.52	58.74	50.80	12.70	454	K2
3940PB	6.00	152.40	50.80	41.28	57.15	9.53	19.05	158.75	-	46.83	58.74	50.80	12.70	400	K2
2856	6.00	152.40	76.20	69.85	63.50	12.70	25.40	184.15	-	44.45	63.50	47.63	15.88	636	SP K2
2860	6.00	152.40	76.20	69.85	63.50	12.70	25.40	184.15	120.65	44.45	63.50	47.63	15.88	636	K24

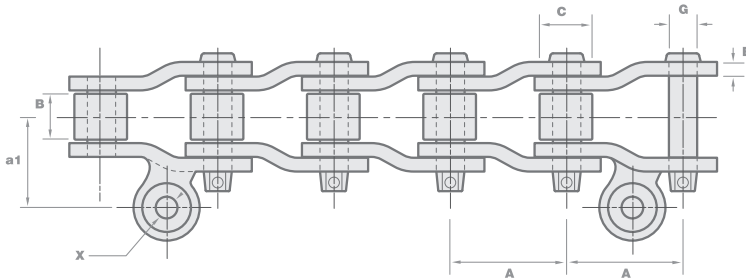
\* Bush Chain

# Asphalt industry

## Paver machine chain

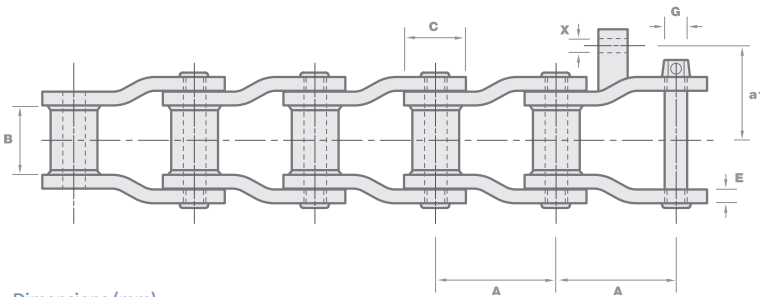


### Paver machine chain



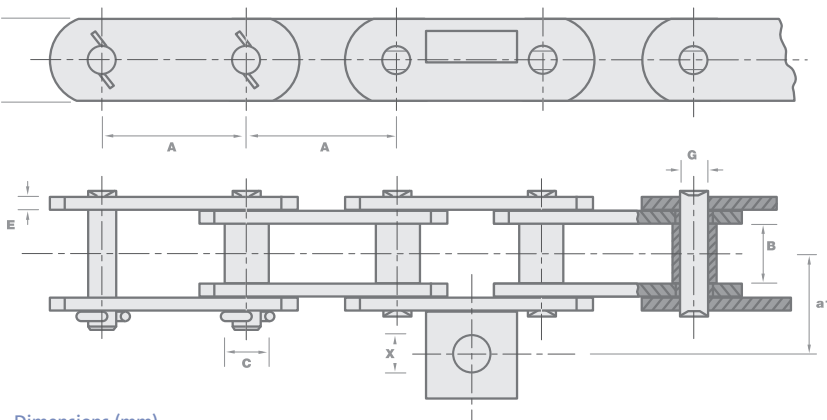
Dimensions (mm)

Chain No.	Pitch Inch	Pitch mm	Inside Width	Roller Diam.	Plate Height	Plate Thickness Inner/Outer	Pin Diam.		Bolt Diam.	Tensile Strength Avg. kN	Attachment Type
	A	A	B	C	D	E	G	a1	x		
3375PB	3.08	78.11	31.75	31.75	38.1	9.53	15.88	59.13	25.40	267	K1



Dimensions (mm)

Chain No.	Pitch Inch	Pitch mm	Inside Width	Roller Diam.	Plate Height	Plate Thickness Inner/Outer	Pin Diam.		Bolt Diam.	Tensile Strength Avg. kN	Attachment Type
	A	A	B	C	D	E	G	a1	x		
WS 82 AHP	3.08	78.11	44.45	30.96	31.75	9.53	14.29	60.33	9.53	156	L1



Dimensions (mm)

Chain No.	Pitch Inch	Pitch mm	Inside Width	Roller Diam.	Plate Height	Plate Thickness Inner/Outer	Pin Diam.		Bolt Diam.	Tensile Strength Avg. kN	Attachment Type
	A	A	B	C	D	E	G	a1	x		
2575C	2.75	69.85	25.40	31.75	34.93	7.94	14.29	57.94	14.29	150	K1



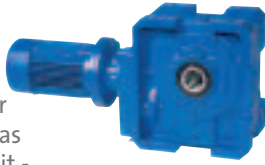
# Asphalt industry

## Renold products for the asphalt industry

### e.PM series

This series of gear units is available as a single worm unit - type PW, helical/ wormunit - type PH and a helical/bevel/ helical unit - type PB. The range offers the ultimate in versatility and durability with a modern compact design allowing direct mounting of standard IEC and NEMA motors. Torque capacities range up to 68000NM with gear ratios from 5:1 to 333:1 and if combined with other Renold Gear products, ratios of up to 23000:1 can be achieved.

- Motorised and speed reducer types for all applications
- Variable mounting options allow design flexibility
- Robust construction suitable for heavy duty applications
- Optional protection for hostile environments
- Long life synthetic lubrication



### PM couplings

Heavy duty industrial couplings providing exceptional protection against severe shock load and vibration.

- Intrinsically fail-safe ensuring continuous operation of the driveline
- Control of resonant torsional vibration achieving low vibratory loads in the driveline with optimum stiffness characteristics
- Zero backlash eliminating torque amplification through pre-compression of the rubber elements



### SMX<sup>TRA</sup>

A range of Shaft Mount Helical Gear Units available with a parallel hollow output shaft, or the unique Renold quick release bush which enables very easy installation and removal of the positive key drive. Options include integral hold backs, motor mounting platforms and parallel shaft sleeve diameter reducing bushes.

Also available are options of input and output shaft enhanced sealing.

- Interchangeable, allowing fast and easy replacement
- Robust construction ideal for heavy duty applications
- Parallel and taper bore options, easy removal for repair
- Enhanced sealing for hostile environment conditions



### Flexible heavy duty gear couplings gearflex

Single and double arrangement, standard and heavy duty series types up to 60,000KW (80,000HP) capacity.

- AGMA standard - interchangeable and cost effective
- Crowned and barrelled teeth for optimum contact and long life
- Mill motor, sheer pin and telescopic designs available, giving design stability for all demanding operations



### Hydrastart

Fluid soft start couplings available in many sizes and types up to 700KW (950HP) capacity.

- Flexible couplings and vee pulley designs as standard for design flexibility
- Soft start allowing the motor to accelerate unloaded
- Reduces motor size and drive package cost
- Delay fill version - extending acceleration time and further reducing start-up torque



### Sprag clutch

Anti-runback clutch used on holdback, indexing and over-running applications

- No backlash, giving positive action
- Long life means low maintenance costs
- Enhanced performance from optimised sprag profile design
- Compact design, yet high torque
- Interchangeability means no re-engineering



### Sprockets

Renold provide a full range of fabricated or machined conveyor and transmission sprockets. They can be either of one piece design, split or with bolt-on tooth segments. Teeth can be flame hardened if required.

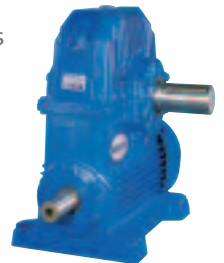


### TW series

Heavy duty worm units with centres from 10" to 28" in single and reduction types.

Ratios available from 5:1 to 4900:1 with input powers from 16 to 506KW.

- Heavy duty design for high torque applications
- Unique Holroyd tooth form for high efficiency and product life
- Optional protection for use in hostile and arduous environments such as the cement industry



### Pinflex

- Heavy duty pin and buffer coupling suitable for shock load conditions
- Polyurethane buffers reliable/flexible and temperature resistant



**Australia**  
Melbourne (Victoria)

Tel: + 61(0) 3 9262 3333  
Fax: + 61(0) 3 9561 8561  
e-mail: melsmg@renold.com.au

*also at: Sydney, Brisbane, Adelaide, Perth,  
Newcastle, Wollongong, Townsville*

**Austria**  
Vienna

Tel: + 43 (0) 1 330 3484  
Fax: + 43 (0) 1 330 3484-5  
e-mail: office@renold.at

*also at: Kiskörös (Hungary),  
Jaroslavice (Czech Republic)*

**Belgium**  
Brussels

Tel: + 32 (0) 2 201 1262  
Fax: + 32 (0) 2 203 2210  
e-mail: info@renold.be

**Canada**  
Brantford (Ontario)

Tel: + 1 519 756 6118  
Fax: + 1 519 756 1767  
e-mail: inquiry@renoldcanada.com

*also at: Montreal*

**China**  
Shanghai

Tel: + 21 5046 2696  
Fax: + 21 5046 2695  
e-mail: sales@renold.cn

**Denmark**  
Brøndby (Copenhagen)

Tel + 45 43 45 26 11  
Fax + 45 43 45 65 92  
e-mail: info@renold.dk

**France**  
Seclin

Tel + 33 (0) 320 16 29 29  
Fax + 33 (0) 320 16 29 00  
e-mail : contact@brampton-renold.com

**Germany**  
Einbeck

Tel + 49 (0) 5562 81248  
Fax + 49 (0) 5562 81130  
e-mail : info@renold.de

*also at: Hamburg, Bielefeld, Düsseldorf,  
Frankfurt, Kornwestheim, Berlin*

**Malaysia**  
Selangor Darul Ehsan

Tel: + 60 3-5122 7880  
Fax: + 60 3-5122 7881  
e-mail: malaysia@renold.com

*also at: Johor Bharu, Ipoh, Penang*

**Netherlands**  
Amsterdam

Tel + 31 (0)20 6146661  
Fax + 31 (0)20 6146391  
e-mail: info@renold.nl

**New Zealand**  
Auckland

Tel + 64 9828 5018  
Fax + 64 9828 5019  
e-mail: aksales@renold.co.nz

*also at: Christchurch*

**Singapore**  
Singapore

Tel + 65 760 2422  
Fax + 65 760 1507  
e-mail: renoldsp@singnet.com.sg

**South Africa**  
Benoni (Johannesburg)

Tel + 27 11 747 9500  
Fax + 27 11 747 9505  
e-mail: sales@renold.co.za

*also at: Richards Bay,  
Port Elizabeth, Cape Town*

**Sweden**  
Brøndby (Copenhagen)

Tel + 45 43 45 26 11  
Fax + 45 43 45 65 92  
e-mail: info@renold.dk

**Switzerland**  
Dübendorf (Zürich)

Tel + 41 (1) 824 8484  
Fax + 41 (1) 824 8411  
e-mail: info@renold-gmbh.ch

*also at: Crissier (Lausanne)*

**UK**  
Burton upon Trent

Tel + 44 (0) 1283 512940  
Fax + 44 (0) 1283 512628  
e-mail: ukchain@renold.com

**USA**  
Morristown TN

Tel +1 800 251 9012  
Fax +1 423 581 2399  
e-mail: sales@renoldjeffrey.com

*For other country distributors please contact  
Renold UK.*

*Whilst all reasonable care in compiling the  
information contained in this brochure is taken,  
no responsibility is accepted for printing errors.*

*All information contained in this brochure is  
subject to change after the date of publication.*

© Renold Power Transmission 2005.  
Ref: REN25 / ENG / 09.05

**RENOLD**  
Superior Chain Technology